

SPLITTER SERIES



Splitter Series Specifications

Splitter Series

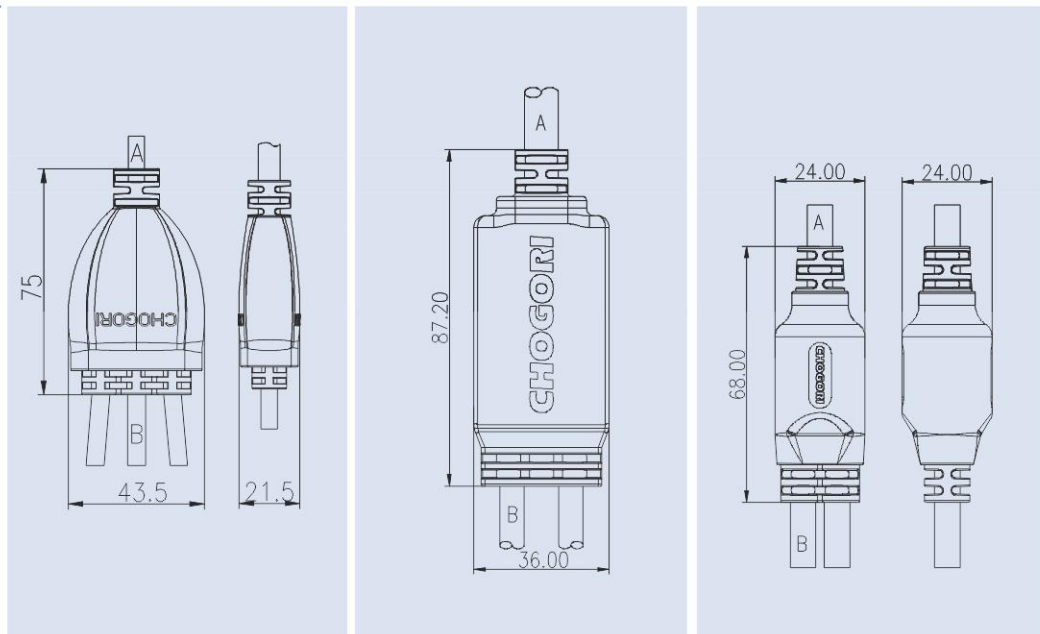
Description

Molded with Cable

Figure



Drawing



Specifications

Wire Gauge	1.0mm ² (18AWG)	1.0mm ² (18AWG)	1.0mm ² (16AWG)
Cable A Range	4.5mm - 9.0mm	6.0mm - 13.0mm	4.5mm - 8.0mm
Cable B Range	4.5mm - 8.0mm	4.5mm - 7.5mm	4.5mm - 8.0mm
Environmental Protection	IP65		
Operating Temperature	- 40°C - 85°C		