

T ADAPTER SERIES



T Adaptor Series Specifications

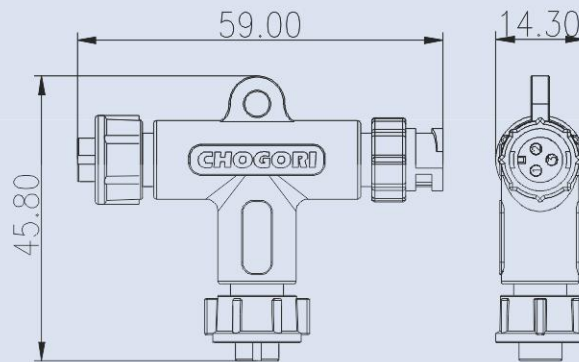
Mini Series

Description Lock Type/Screw Type T Adaptor

Figure



Drawing



Specifications

Wire Gauge	0.5mm ² (20AWG)
Environmental Protection	IP67(Mated)
Mechanical Life	500 mating cycles
Operating Temperature	- 45°C - 105°C

T ADAPTER SERIES



T Adaptor Series Specifications

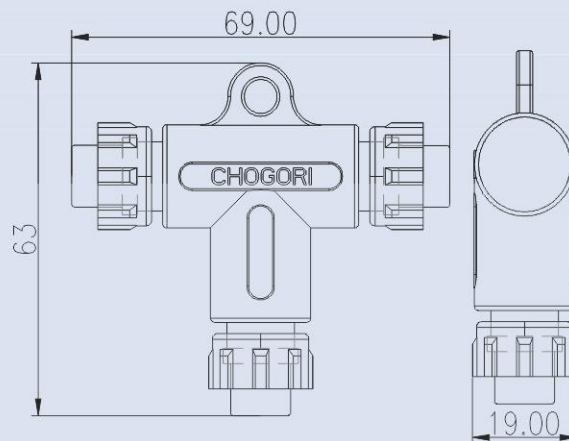
Standard Series

Description Lock Type/Screw Type T Adaptor

Figure



Drawing



Specifications

Wire Gauge	0.75mm ² (18AWG)
Environmental Protection	IP67(Mated)
Mechanical Life	500 mating cycles
Operating Temperature	- 45°C - 105°C

T ADAPTER SERIES



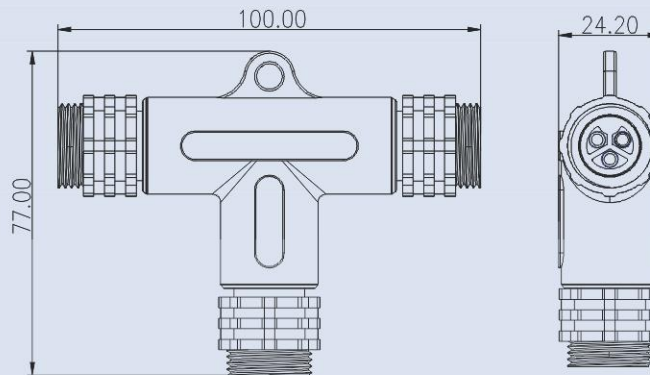
Middle Series

Description Lock Type/Screw Type T Adaptor

Figure



Drawing



Specifications

Wire Gauge	1.5mm ² (16AWG)
Environmental Protection	IP67(Mated)
Mechanical Life	500 mating cycles
Operating Temperature	- 45°C - 105°C