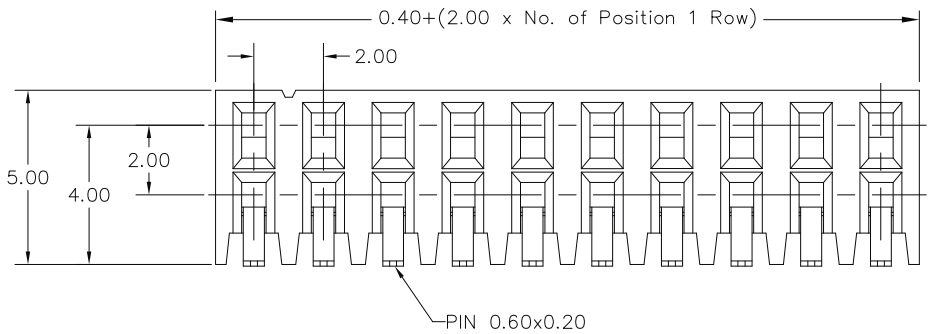
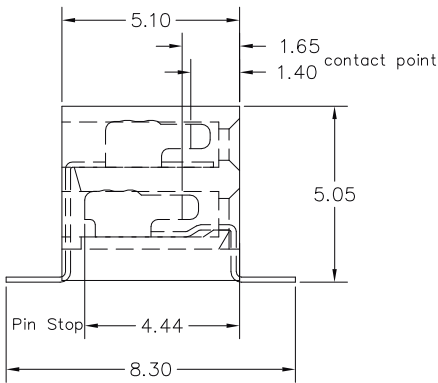
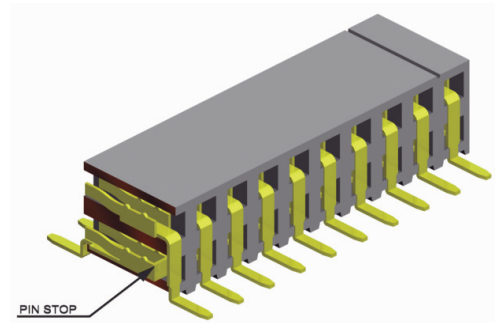
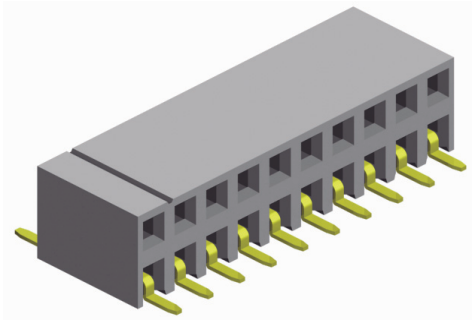


2.00mm pitch Female Header

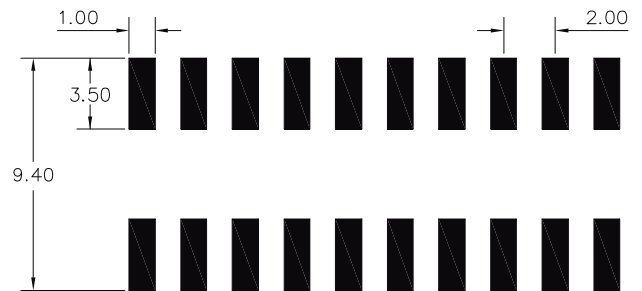
- SMT- side entry



**APPLICATION AND FEATURES**

- Hi-rel dual beam contact with „Pin Stop“ assures reliable connections
- Accepts 0.50mm square pins
- 5.00mm height above board
- Automatic assembly to PCB possible

**PCB Surface Mount Layout**



**SPECIFICATIONS**

Current rating	1 A
Insulator resistance	1000 MΩ min.
Contact resistance	20 mΩ max.
Withstanding voltage	500 V AC

Operating temperature	- 40°C to +105°C
Processing temperature	+250°C +0/-5°C for 10sec.
Contact material <i>(RoHS compliant)</i>	Phosphor Bronze
Insulator material <i>(RoHS compliant)</i>	Nylon UL 94 V-0

**How to order**

BS 2 - xxx - R 500 - 55 /2 X

