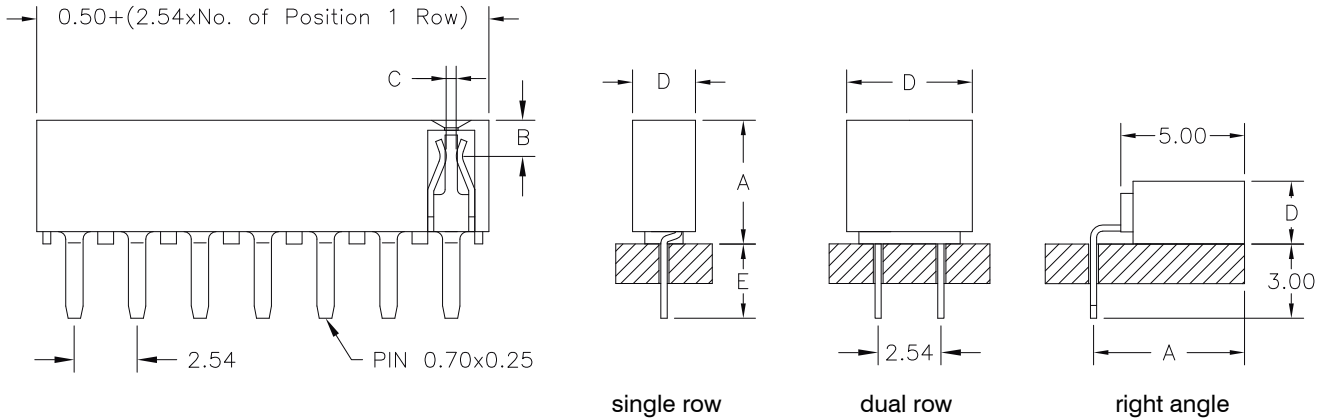
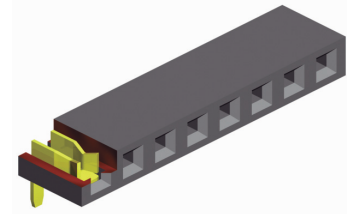
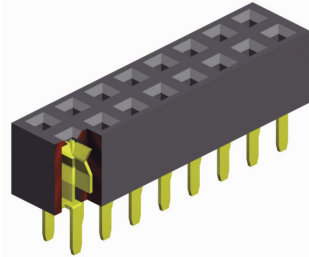
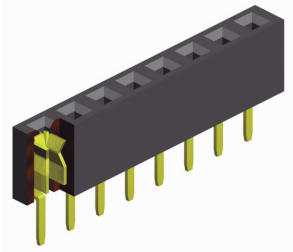
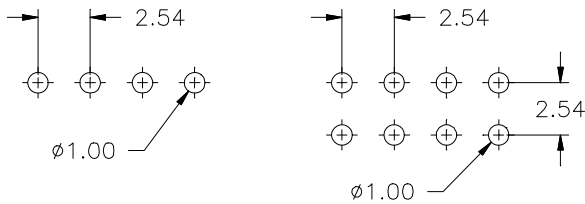


# 2.54mm pitch Female Header

- THT - folded contacts



## PCB Hole Layout

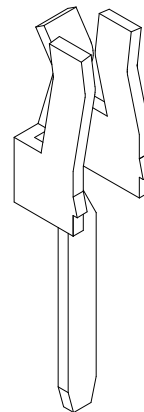


## SPECIFICATIONS

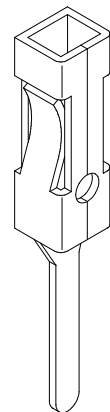
Current rating	3 A
Insulator resistance	1000 MΩ min.
Contact resistance	20 mΩ max.
Withstanding voltage	500 V AC
Operating temperature	-40°C to +105°C
Contact material	Phosphor Bronze
Insulator material	P.B.T. UL 94 V-0

*(RoHS compliant)*

*(RoHS compliant)*



Contact style 1



Contact style 2

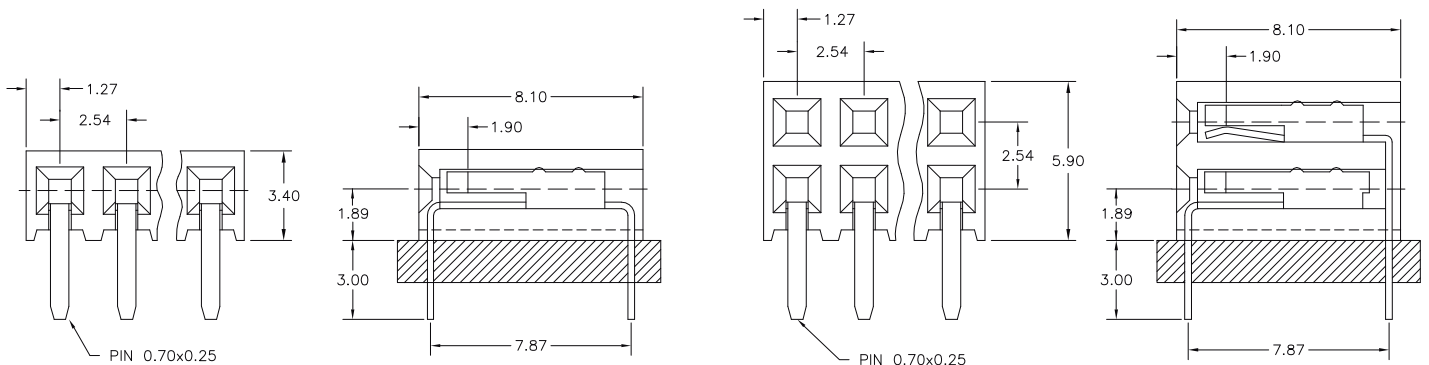
## How to order

**BF x - xxx - X xxx - 55**

Rows	Nbr of contacts	Code	Connector style	Contact style	DIM "A" (mm)	DIM "B" (mm)	DIM "C" (mm)	DIM "D" (mm)	DIM "E" (mm)	Plating
<b>1</b> = 1 row	<b>002 to 040</b> (1 row)	<b>S 500</b>	straight	1	5.00	1.50	0.42	2.50 (1 row)	3.20	<b>55</b> = gold  Other platings on request
<b>2</b> = 2 rows	<b>004 to 080</b> (2 rows)									
<b>1</b> = 1 row	<b>002 to 040</b> (1 row)	<b>R 500</b>	R/A	1	6.10	1.50	0.42	2.50 (1 row)		
<b>1</b> = 1 row	<b>002 to 030</b> (1 row)	<b>S 680</b>	straight	2	6.80	3.50	0.50	3.50 (1 row)	3.50	
<b>2</b> = 2 rows	<b>004 to 060</b> (2 rows)									
<b>1</b> = 1 row	<b>002 to 040</b> (1 row)	<b>S 710</b>	straight	1	7.10	1.50	0.22	2.50 (1 row)	3.20	
<b>2</b> = 2 rows	<b>004 to 080</b> (2 rows)									
<b>1</b> = 1 row	<b>002 to 040</b> (1 row)	<b>S 850</b>	straight	1	8.50	1.50	0.22	3.00 (1 row)	3.20	
<b>2</b> = 2 rows	<b>004 to 080</b> (2 rows)									

# 2.54mm pitch Female Header

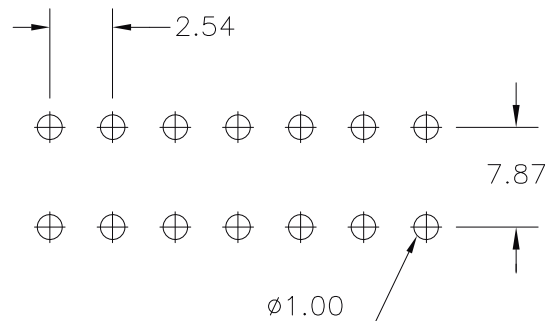
- THT - side entry type



## APPLICATION AND FEATURES

- Hi-rel dual beam contact assures reliable PC-board connections
- Accepts 0.64mm square pins
- Stand-off's facilitate post solder cleaning
- 3.40mm and 5.90mm height above board

## PCB Hole Layout



## SPECIFICATIONS

Current rating	3 A
Insulator resistance	1000 M $\Omega$ min.
Contact resistance	20 m $\Omega$ max.
Withstanding voltage	500 V AC

Operating temperature	- 40°C to + 105°C
Contact material	(RoHS compliant) Phosphor Bronze
Insulator material	(RoHS compliant) P.B.T. UL 94 V-0

## How to order

BH x - xxx - R850 - 55

Rows	
<b>1</b>	= single row
<b>2</b>	= dual row

Nbr of contacts	
single row	= <b>003</b> to <b>040</b>
dual row	= <b>004</b> to <b>080</b>

Plating	
<b>55</b>	= gold
Other platings on request	