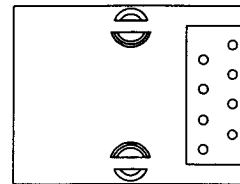


PCB LAYOUT
(Top View)



SPECIFICATION :

1. Electrical Char.

Insulation Resistance : 500M-Ohm Min.
Contact Resistance : 20milli-Ohm Max.
Rating Current : 1.5A Max.
Rating Voltage : 120V AC
Dielectric Voltage : 1,000 Vrms 60 Sec. Min.

2. Physical char.

Housing : PBT Glass Filled (UL 94V-0)
Color : Black Color
Spring Wire : 0.45mm Dia. Phosphor Bronze
Gold Plating Over Nickel
Temperature Range : - 25 /+90 Deg C
Durability : 500 Mating cycles Min.

AJ-008-8-F-X-N ← FLANGELESS

F=8p8c

Gold plated 1=15u, 3=50u
2=30u, 4= 6 u

DWG. NO. **AS008002**

NOT SCALED DRAWING	TOLERANCE UNLESS OTHERWISE NOTICE	INCH	MM	DR. Steven	DATE SEP-07 '04
THIRD ANGLE PROJECTION	LINEAR $\frac{MM}{INCH}$	00 ± 0.01 000 ± 0.005 0000 ± 0.002	00 ± 0.25 000 ± 0.13 0000 ± 0.05	CK'D Johnn	SEP-07 '04
$\frac{MM}{INCH}$	ANGLE +0°30'	RADIL	+0.45 -0.15	APP'D Billy	SEP-07 '04

TITLE
RJ45 SIDE ENTRY PCB JACK
UL & cUL FILE NO. E131820
MODULAR JACKS ASSY FOR
AJ-008-8-F-X-N

SCALE SIZE DWG. NO. 9638 SERIES

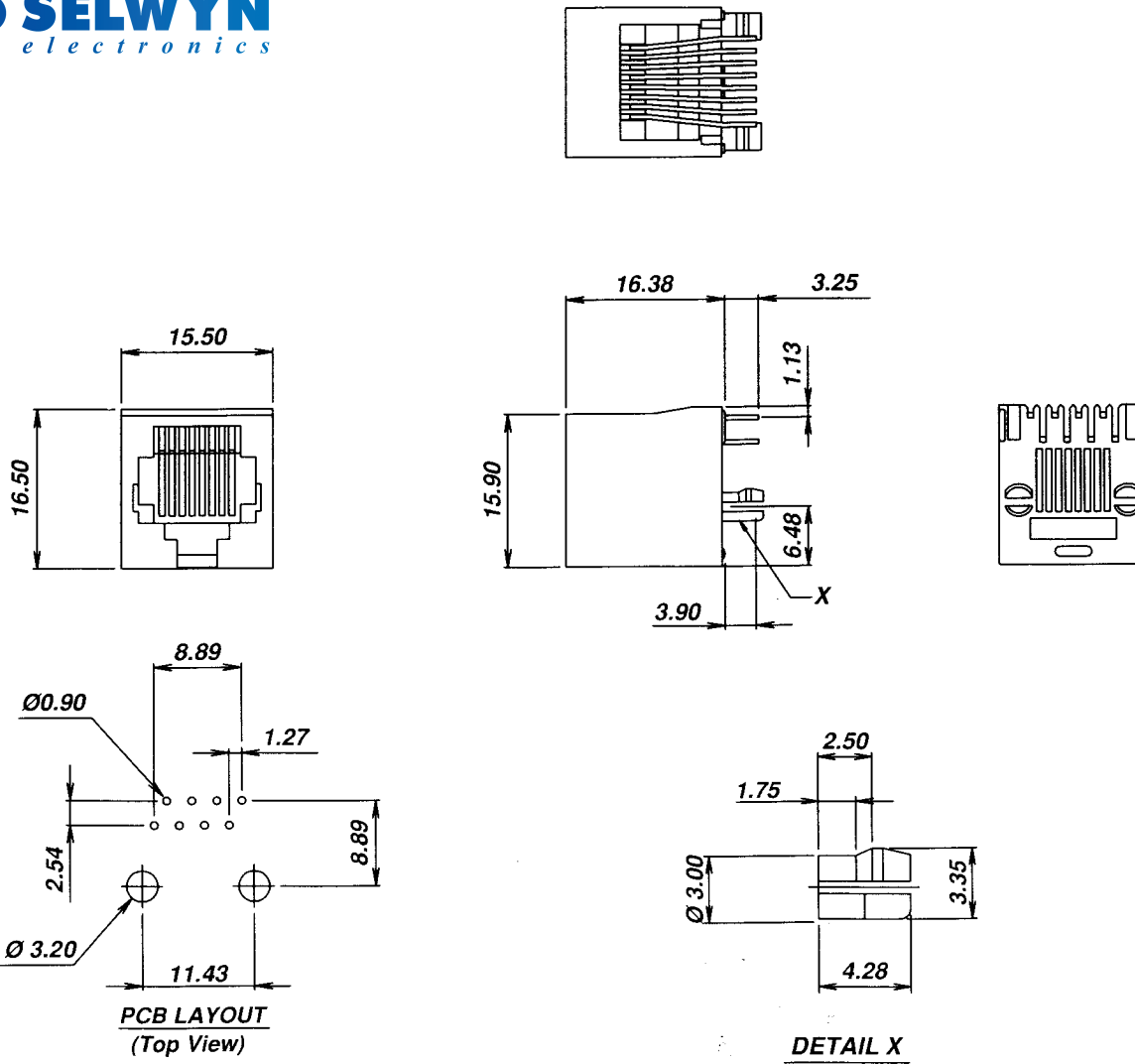
SPECIFICATION :

1. Electrical Char.

Insulation Resistance : 500M-Ohm Min.
 Contact Resistance : 20milli-Ohm Max.
 Rating Current : 1.5A Max.
 Rating Voltage : 120V AC
 Dielectric Voltage : 1,000 Vrms 60 Sec. Min.

2. Physical char.

Housing : PBT Glass Filled (UL 94V-0)
 Color : Black Color
 Spring Wire : 0.45mm Dia. Phosphor Bronze
 Gold Plating Over Nickel
 Temperature Range : - 25 /+90 Deg C
 Durability : 500 Mating cycles Min.



AJ-012-8-F-X-N ← **FLANGELESS**

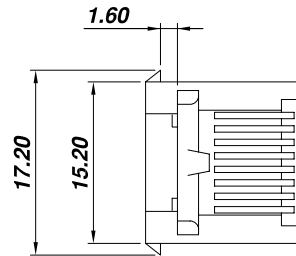
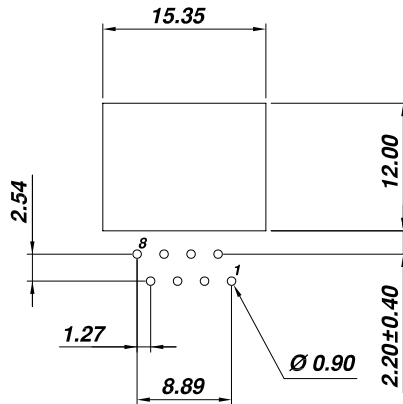
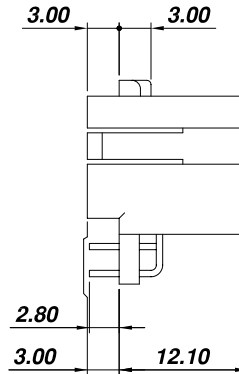
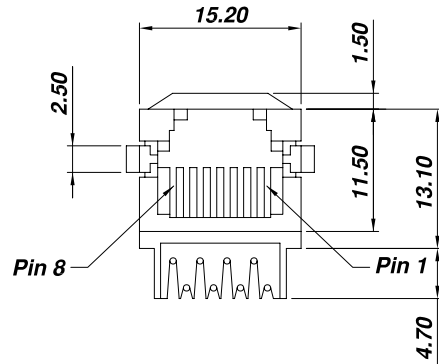
F=8p8c
 Gold plated 1=15u, 2=30u, 3=50u, 4= 6 u

TITLE	
RJ45 SIDE ENTRY PCB JACK UL & cUL FILE NO. E131820	
MODULAR JACKS ASSY FOR AJ-012-8-F-X-N	
SCALE SIZE DWG. NO. 9628 SERIES	

NOT SCALED DRAWING	TOLERANCE UNLESS OTHERWISE NOTICE	INCH	MM	DR.	DATE
THIRD ANGLE PROJECTION	LINEAR	00±0.01 000±0.005 0000±0.002	00±0.25 000±0.13 0000±0.05	Steven Johnn Billy	MAY-19 '05 MAY-19 '05 MAY-19 '05
	ANGLE +0°30'	RADIL	+0.45 -0.15	APP'D	

DWG. NO. **AS012007**

RoHS Compliant



PCB LAYOUT
(Bottom View)

SPECIFICATION :

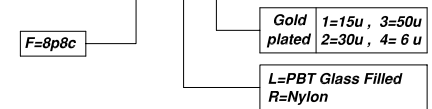
1. Electrical Char.

- Insulation Resistance : 500M-Ohm Min.
- Contact Resistance : 20milli-Ohm Max.
- Rating Current : 1.5A Max.
- Rating Voltage : 120V AC.
- Dielectric Voltage : 1,000 Vrms 60 Sec. Min.

2. Physical char.

- Housing (Option) :
 - PBT Glass Filled (UL 94V-0), Soldering Temperature:235°C
 - Nylon (UL 94V-0), Soldering Temperature:260°C
- Color : Black Color
- Spring Wire:
 - 0.45mm Dia. Phosphor bronze Gold Plating Over Nickel
- Temperature Range : - 40°C / +85°C
- Durability : 500 Mating cycles Min.

AJ-003-8-F-XX



TITLE

RJ45 BOTTOM ENTRY PCB JACK
UL & cUL FILE NO. E131820

MODULAR JACKS ASSY FOR
AJ-003-8-F-XX

SCALE SIZE DWG. NO.9622-8 SERIES

NOT SCALED DRAWING	TOLERANCE UNLESS OTHERWISE NOTICE	INCH	MM	DR.	DATE
 THIRD ANGLE PROJECTION	LINEAR	MM INCH	00±0.01 000±0.005 0000±0.002	Steven CK'D	DEC-03 '07
	ANGLE +0° 30'	RADIL	+0.45 -0.15	Johnn APP'D	DEC-03 '07
MM INCH				Billy	DEC-03 '07

DWG. NO.

AST003003-1