



SPECIFICATION :

1. Electrical Char.

- Insulation Resistance : 500M-Ohm Min.
- Contact Resistance : 20milli-Ohm Max.
- Rating Current : 1.5A Max.
- Rating Voltage : 120V AC
- Dielectric Voltage : 1,000 Vrms 60 Sec. Min.

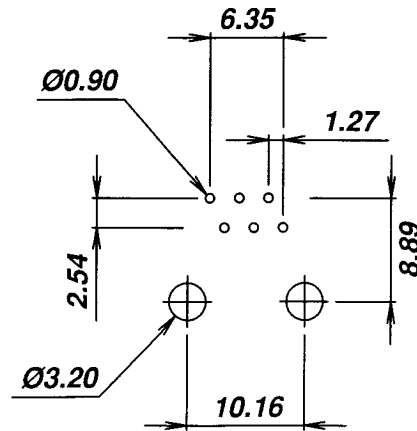
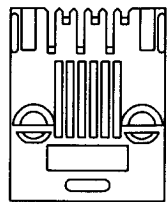
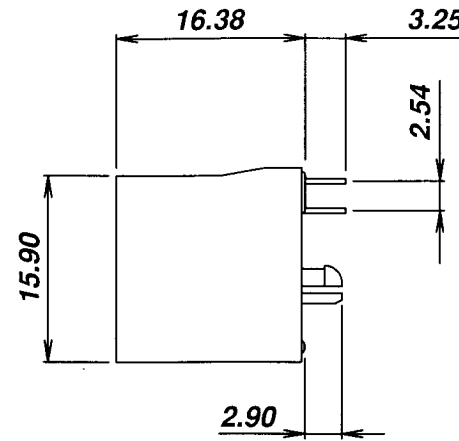
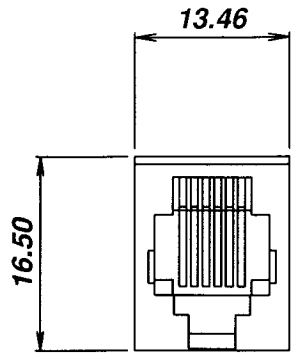
2. Physical char.

- Housing : PBT Glass Filled (UL 94V-0)
- Color : Black Color
- Spring Wire : 0.45mm Dia. Phosphor Bronze
- Gold Plating Over Nickel
- Temperature Range : - 25 /+90 Deg C
- Durability : 500 Mating cycles Min.

AJ-012-6-X-X-N ← **FLANGELESS**

B=6p2c , C=6p4c
D=6p6c

Gold plated 1=15u , 2=30u
3=50u , 4= 6 u



**PCB LAYOUT
(Top View)**

TITLE	
RJ11 or RJ12 TOP ENTRY PCB JACK UL & cUL FILE NO. E131820	
MODULAR JACKS ASSY FOR AJ-012-6-X-X-N	
SCALE SIZE DWG. NO. 9607 SERIES	

NOT SCALED DRAWING	TOLERANCE UNLESS OTHERWISE NOTICE	INCH	MM	DR. Steven	DATE AUG-23 '04
THIRD ANGLE PROJECTION	LINEAR	MM INCH	00±0.01 000±0.005 0000±0.002	CK'D Johnn	AUG-23 '04
	ANGLE +0°30'	RADIL	+0.45 -0.15	APP'D Billy	AUG-23 '04

DWG. NO. **AS012004**

SPECIFICATION :

1. Electrical Char.

Insulation Resistance : 500M-Ohm Min.
Contact Resistance : 20milli-Ohm Max.
Rating Current : 1.5A Max.
Rating Voltage : 120V AC
Dielectric Voltage : 1,000 Vrms 60 Sec. Min.

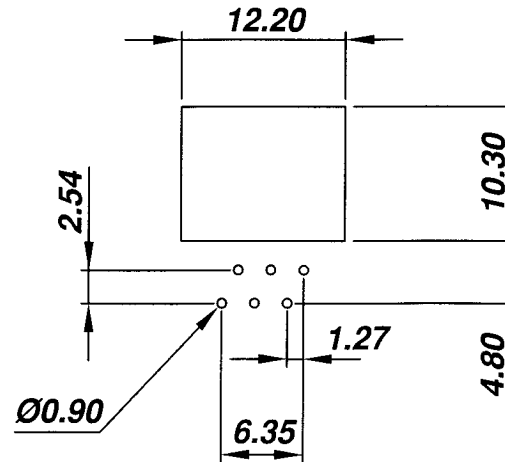
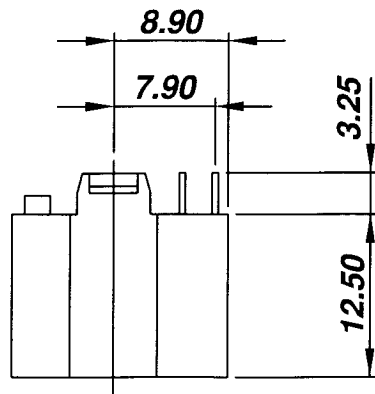
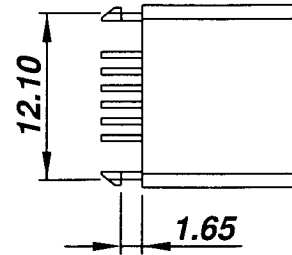
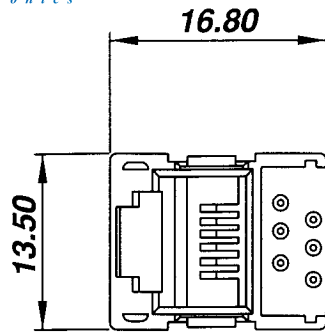
2. Physical char.

Housing : PBT Glass Filled (UL 94V-0)
Color : Black Color
Spring Wire : 0.45mm Dia. Phosphor Bronze
Gold Plating Over Nickel
Temperature Range : - 25 /+90 Deg C

AJ-002-6-X-X

B=6p2c, C=6p4c
D=6p6c

Gold plated 1=15u, 3=50u
2=30u, 4= 6 u

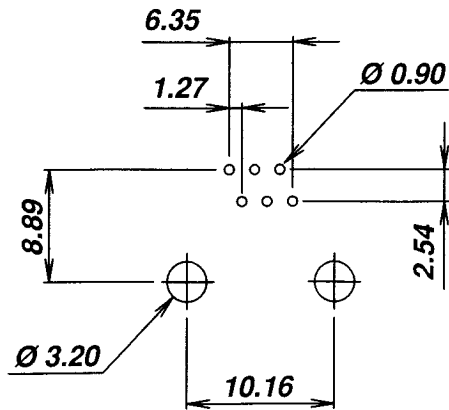
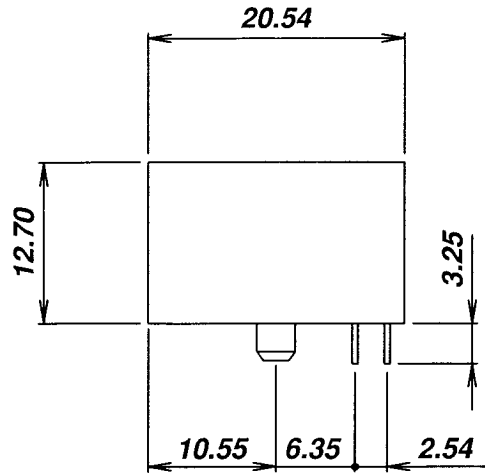
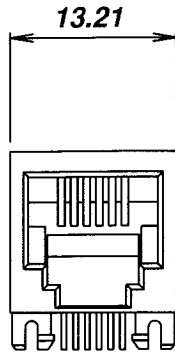


PCB LAYOUT
(Bottom View)

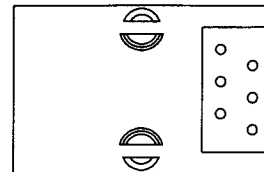
TITLE	
RJ11 or RJ12 BOTTOM ENTRY PCB JACK UL & cUL FILE NO. E131820	
MODULAR JACKS ASSY FOR AJ-002-6-X-X	
SCALE SIZE DWG. NO.9622 SERIES	

NOT SCALED DRAWING	TOLERANCE UNLESS OTHERWISE NOTICE	INCH	MM	DR. Steven	DATE JUL-29 '04
THIRD ANGLE PROJECTION	LINEAR	00±0.01 000±0.005 0000±0.002	00±0.25 000±0.13 0000±0.05	CK'D Johnn	JUL-29 '04
	ANGLE +0°30'	RADIL	+0.45 -0.15	APP'D Billy	JUL-29 '04

DWG. NO.
AS002001



PCB LAYOUT
(Top View)



SPECIFICATION :

1. Electrical Char.

- Insulation Resistance : 500M-Ohm Min.
- Contact Resistance : 20milli-Ohm Max.
- Rating Current : 1.5A Max.
- Rating Voltage : 120V AC
- Dielectric Voltage : 1,000 RMS 60 Sec. Min.

2. Physical Char.

- Housing : PBT Glass Filled (UL 94V-0)
- Color : Black Color
- Spring Wire : 0.45mm Dia. Phosphor Bronze
Gold Plating Over Nickel
- Temperature Range : - 25 +90 C
- Durability : 500 Mating cycles Min.

AJ-007-6-X-X-N ← FLANGELESS

B=6p2c , C=6p4c
D=6p6c

Gold plated 1=15u , 3=50u
2=30u , 4= 6 u

TITLE	
RJ11 or RJ12 SIDE ENTRY PCB JACK UL & cUL FILE NO. E131820	
MODULAR JACKS ASSY FOR AJ-007-6-X-X-N	
SCALE SIZE DWG. NO. 9636 SERIES	

NOT SCALED DRAWING	TOLERANCE UNLESS OTHERWISE NOTICE	INCH	MM	DR.	DATE
THIRD ANGLE PROJECTION	LINEAR $\frac{MM}{INCH}$	00±0.01 000±0.005 0000±0.002	00±0.25 000±0.13 0000±0.05	CK'D Johnn	SEP-27 '04
$\frac{MM}{INCH}$	ANGLE+0'30'	RADIL	+0.45 -0.15	APP'D Billy	SEP-27 '04

DWG. NO.
AS007004