

PCB LAYOUT
(Top View)

SPECIFICATION :

1. Electrical Char.

- Insulation Resistance : 500M-Ohm Min.
- Contact Resistance : 20milli-Ohm Max.
- Rating Current : 1.5A Max.
- Rating Voltage : 120V AC
- Dielectric Voltage : 1,000 Vrms 60 Sec. Min.

2. Physical char.

- Housing : PBT Glass Filled (UL 94V-0)
- Color : Black Color
- Spring Wire : 0.45mm Dia. Phosphor Bronze
- Gold Plating Over Nickel
- Temperature Range : - 25 /+90 Deg C
- Durability : 500 Mating cycles Min.

AJ-012-4-A-X-N ← **FLANGELESS**

A=4p4c

Gold plated	1=15u , 2=30u
	3=50u , 4= 6 u

TITLE	
RJ11 TOP ENTRY PCB JACK UL & cUL FILE NO. E131820	
MODULAR JACKS ASSY FOR AJ-012-4-A-X-N	
SCALE SIZE DWG. NO. 9605 SERIES	

NOT SCALED DRAWING	TOLERANCE UNLESS OTHERWISE NOTICE	INCH	MM	DR.	DATE
 THIRD ANGLE PROJECTION	LINEAR MM INCH	00±0.01	00±0.25	Steven	AUG-23 '04
		000±0.005	000±0.13	Johnn	AUG-23 '04
MM INCH	ANGLE +0°30'	RADIL	+0.45 -0.15	Billy	AUG-23 '04

DWG. NO. **AS012002**

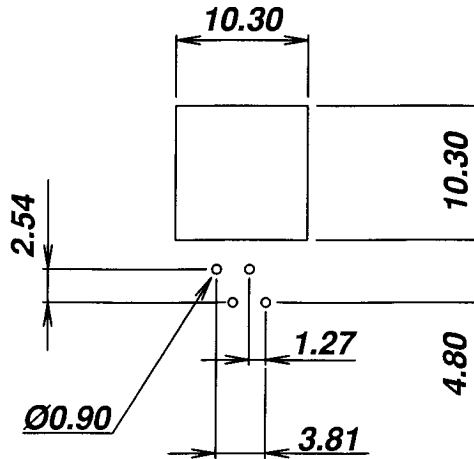
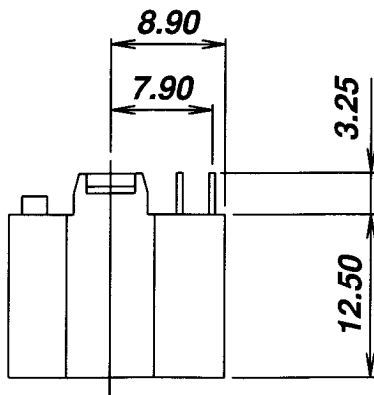
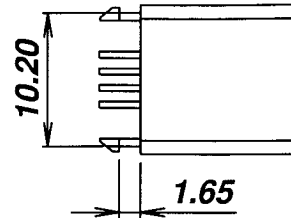
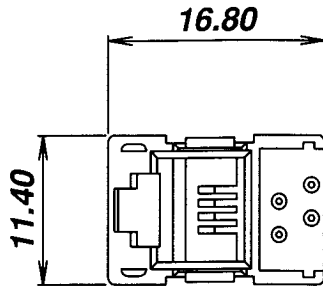
SPECIFICATION :

1. Electrical Char.

Insulation Resistance : 500M-Ohm Min.
 Contact Resistance : 20milli-Ohm Max.
 Rating Current : 1.5A Max.
 Rating Voltage : 120V AC
 Dielectric Voltage : 1,000 Vrms 60 Sec. Min.

2. Physical char.

Housing : PBT Glass Filled (UL 94V-0)
 Color : Black Color
 Spring Wire : 0.45mm Dia. Phosphor Bronze
 Gold Plating Over Nickel
 Temperature Range : - 25 /+90 Deg C



**PCB LAYOUT
(Bottom View)**

AJ-001-4-A-X

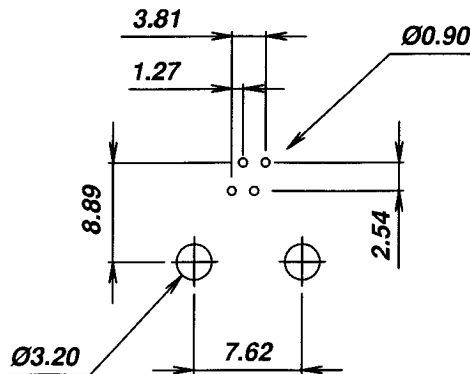
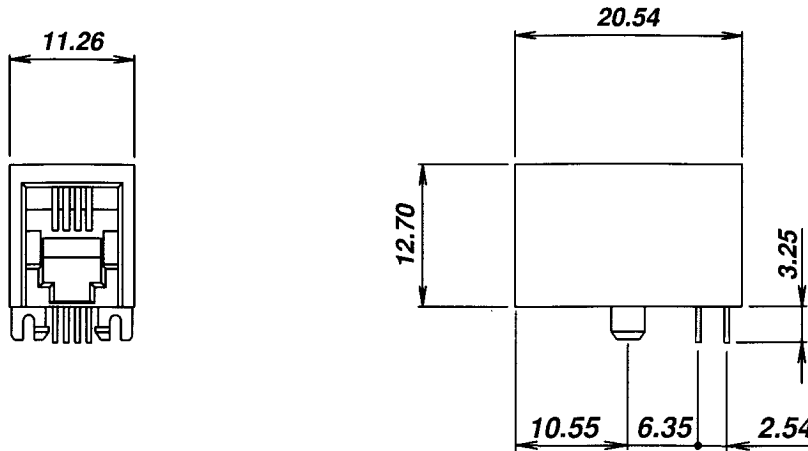
A=4p4c

Gold plated	1=15u, 3=50u 2=30u, 4= 6 u
-------------	-------------------------------

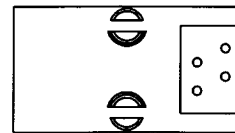
TITLE	RJ11 BOTTOM ENTRY PCB JACK UL & cUL FILE NO. E131820
	MODULAR JACKS ASSY FOR AJ-001-4-A-X
	SCALE SIZE DWG. NO.9622-4 SERIES

NOT SCALED DRAWING	TOLERANCE UNLESS OTHERWISE NOTICE	INCH	MM	DR.	DATE
THIRD ANGLE PROJECTION	LINEAR	00±0.01 000±0.005 0000±0.002	00±0.25 000±0.13 0000±0.05	Steven	JUL-29 '04
	ANGLE +0°30'	RADIL	+0.45 -0.15	Johnn	JUL-29 '04
				Billy	JUL-29 '04

DWG. NO. **AS001001**



PCB LAYOUT
(Top View)



SPECIFICATION :

1. Electrical Char.

- Insulation Resistance : 500M-Ohm Min.
- Contact Resistance : 20milli-Ohm Max.
- Rating Current : 1.5A Max.
- Rating Voltage : 120V AC
- Dielectric Voltage : 1,000 RMS 60 Sec. Min.

2. Physical Char.

- Housing : PBT Glass Filled (UL 94V-0)
- Color : Black Color
- Spring Wire : 0.45mm Dia. Phosphor Bronze
Gold Plating Over Nickel
- Temperature Range : - 25 +90 C
- Durability : 500 Mating cycles Min.

AJ-007-4-A-X-N ← **FLANGELESS**

A=4p4c

Gold plated	1=15u , 3=50u
	2=30u , 4= 6 u

TITLE	RJ11 SIDE ENTRY PCB JACK UL & cUL FILE NO. E131820
	MODULAR JACKS ASSY FOR AJ-007-4-A-X-N
	SCALE SIZE DWG. NO. 9634 SERIES

DWG. NO.
AS007002

DO NOT SCALE DRAWING	TOLERANCES UNLESS OTHERWISE NOTED	INCH	MM	DR. Steven	DATA JUL-30 '04
THIRD ANGLE PROJECTION	LINEAR	MM INCH	00±0.01 000±0.005 0000±0.002	CK'D Johnn	JUL-30 '04
	ANGLE +0°30'	RADIL	+0.45 -0.15	APP'D Billy	JUL-30 '04