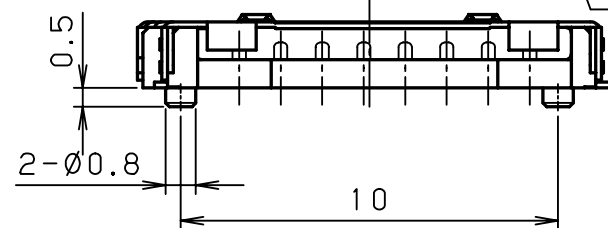
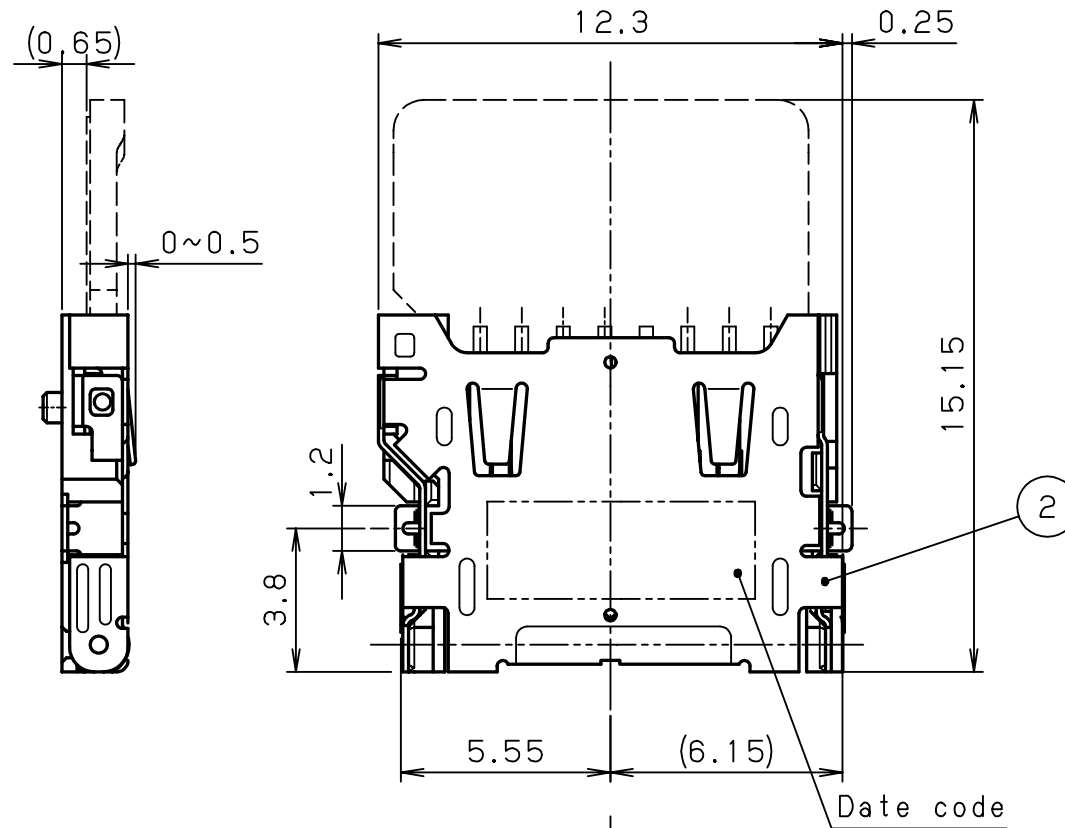
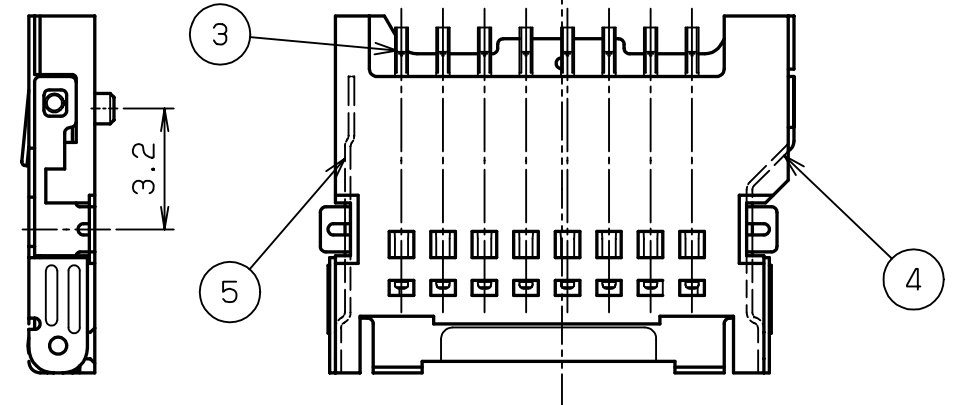


Recommended P.C.B. layout (4/1)
(General Tolerance: ±0.05)



- Note
- Contact plating
Contact area: Gold
Termination area: Gold
Underplating: Nickel
 - Latch A, B plating
Solder area: Gold
Underplating: Nickel
 - General tolerances
(Unless specified): ±0.2mm
 - Coplanarity: 0.12mm max.



RoHS compliant

PROPOSAL DRAWING ONLY

HONDA
PRINT RM
Jun. 17. 2005
ISSUED

| | | | | | |
|---|-----------|-----------------|---|----------------|---------------|
| 5 | Latch B | Phosphor bronze | 1 | See note #2 | |
| 4 | Latch A | Phosphor bronze | 1 | See note #2 | |
| 3 | Contact | Phosphor bronze | 8 | See note #1 | |
| 2 | Shell | Stainless steel | 1 | Nickel plating | |
| 1 | Insulator | LCP (GF) | 1 | | UL94V-0 Black |

| LTR. | DATE | BY | REV. | DESCRIPT | No. | PART NAME | MATERIAL | QTY | FINISH | NOTE |
|------|----------------|-----|------|----------|------|-----------|----------|-----|--------|--|
| | DATE | | | SCALE | | UNIT | | | | |
| | Feb.18 (2006) | | | 5/1 | | mm (INCH) | | | | HONDA TSUSHIN KOGYO CO., LTD. |
| | APP. DATE&REV. | | | | | 3RD. A. P | | | | |
| | DR. | DE. | CHK. | CHK. | APP. | | NAME | | | Micro-SD (T-Flash) card connector (RoHS) (Hinge type) |
| | | | | | | | PART NO. | | | SDB-H8LFYG+ |
| | | | | | | | | | | REV. |