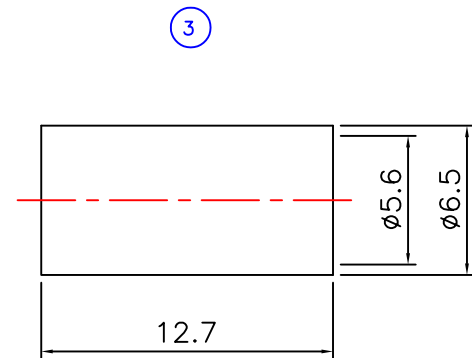



Recommended Cable Stripping Dim's



3	FERRULE	BRASS	NICKEL
2	CONTACT	BRASS	GOLD (3u")
1	SHELL	BRASS	NICKEL
	WASHER	DERIN	NONE
	GASKET	RUBBER	NONE
	WASHER	STEEL	NICKEL
	INSULATOR	DELIN	NONE
	BODY	BRASS	NICKEL
ITEM	DESCRIPTION	MATERIALS	FINISHED

D	SEE ECN	01-277	TINA	09-13'2001	MATERIAL:	TITLE: TNC STRAIGHT PLUG CRIMP TYPE FOR RG58/U CABLE			 INPUT OUTPUT INDUSTRIAL CO., LTD. P/No.: 4602-W00A	
C	SEE ECN	01-275	TINA	09-10'2001						
B	SEE ECN	99-432	TINA	01-27'2000	FINISHED:	DESIGNED:	DRAWN:	SHEET:		SCALE:
A	NEW RELEASE	98-073	ANGELA	03.25'98		ANGELA	ANGELA	1 OF 1		3:1
REV.	DESCRIPTION	ECN	DRAWN	DATE	TOLERANCES:	CHECKED:	APPROVAL:	DWG NO.:		LAYER:
REVISIONS					DIM. XX=+0.2 UNIT: mm XXX=±0.1	03.25'98		S-4602	ASY	D