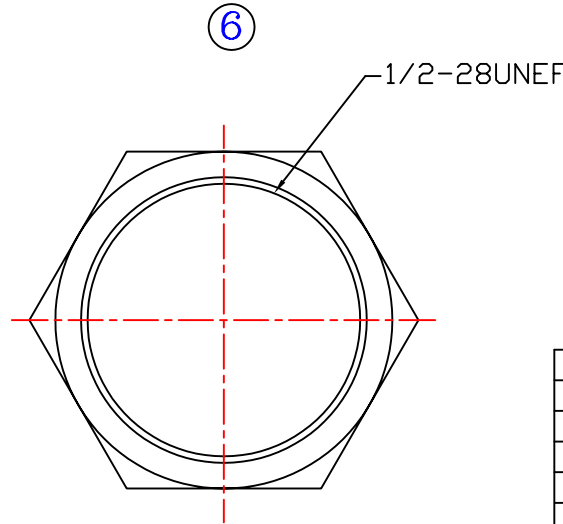
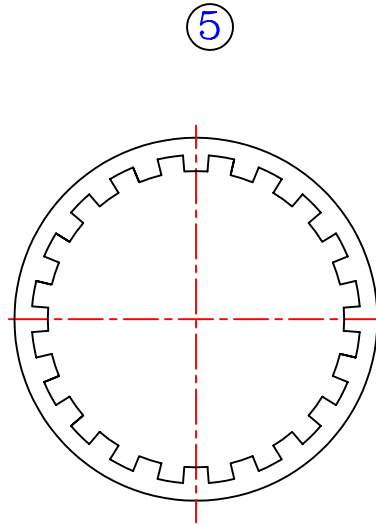
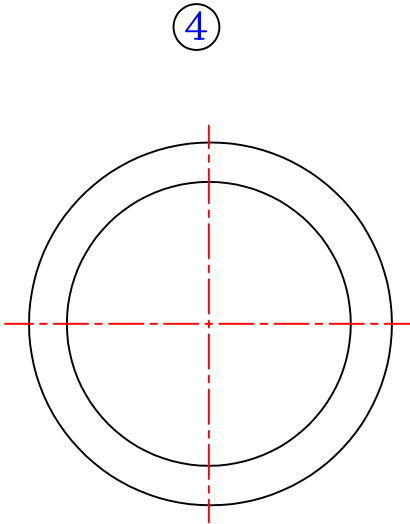


Recommended panel hole



ITEM	DESCRIPTION	MATERIALS	FINISHED
6	NUT	BRASS	NICKEL
5	WASHER	P. BRONZE	NICKEL
4	GASKET	RUBBER	NONE
3	FERRULE	BRASS	NICKEL
2	CONTACT	P. BRONZE	GOLD FLASH
1	INSULATOR	DELTRIN	NONE
	BODY	ZINC ALLOY	NICKEL

REV.	DESCRIPTION	ECN	DRAWN	DATE
D	SEE ECN (M911118)	02-457	Amour	11-12'2002
C	SEE ECN (M910618)	02-198	Amour	06-24'2002
F	SEE ECN (M92-0739)	03-327	IRIS	7-28'2003
E	SEE ECN (M92-0633)	03-275	JACK	6-18'2003

REVISIONS

REMARKS:

TOLERANCES:
DIM. XX=±0.3
UNIT: mm XXX=±0.15

TITLE: TNC STRAIGHT JACK BULKHEAD CRIMP TYPE FOR RG58/U CABLE

DESIGNED: TINA
DRAWN: TINA
01-27'2000 01-27'2000

CHECKED: APPROVAL:

INPUT OUTPUT

SHEET: 1 OF 1
SCALE: 3:1

DWG NO.: S-4710

LAYER: SALE REV: F

P/No.: S-4710-W00A