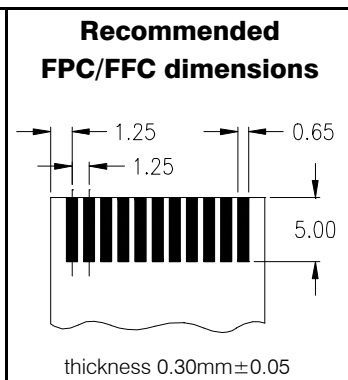
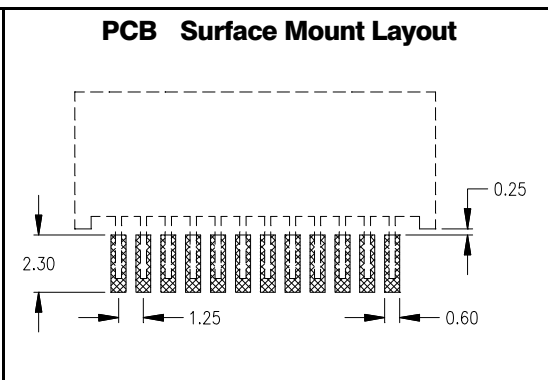
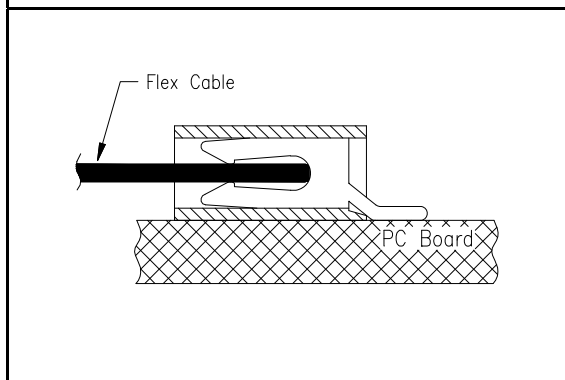
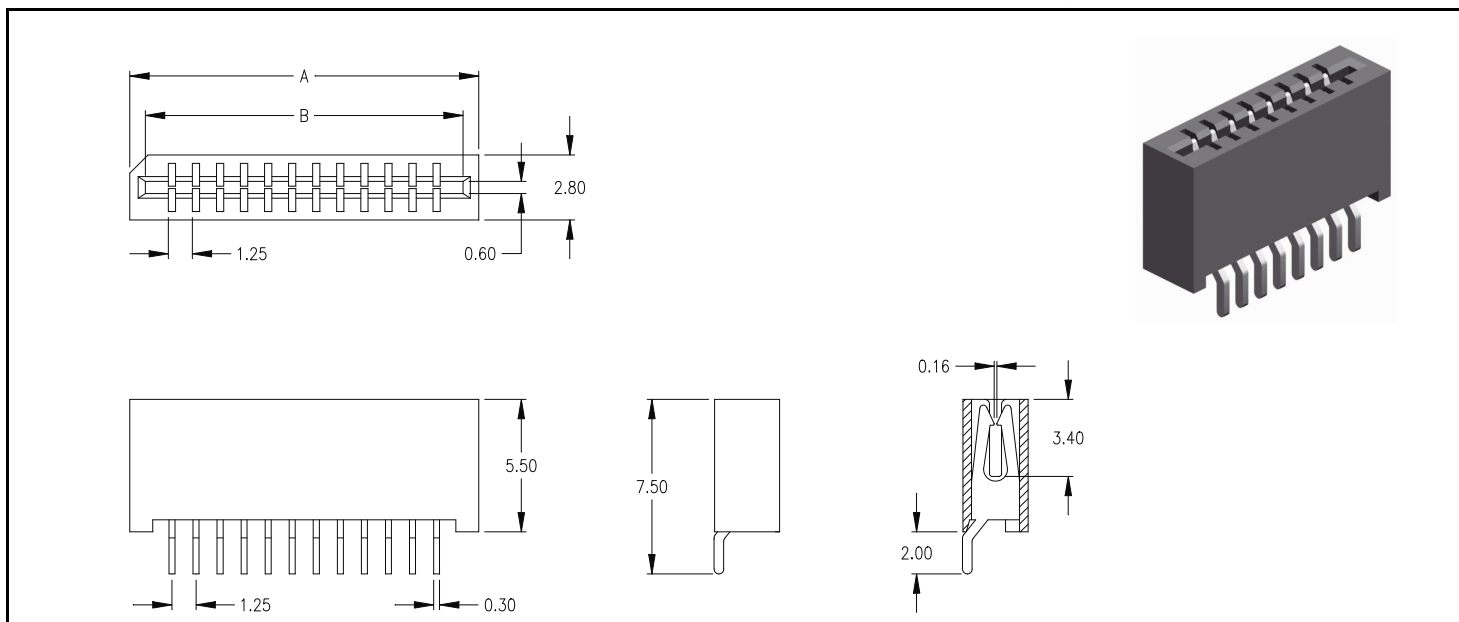


FPC/FFC Connector LIF Type

- SMT - 1.25mm pitch horizontal



SPECIFICATIONS

Current rating 1 A max.
 Insulator resistance 500 MΩ min.
 Contact resistance 20 mΩ max.
 Withstanding voltage 500 V AC/1 Min.

Operating temperature -40°C to +105°C
 Processing temperature +250°C +0/-5°C for 3sec.
 Contact material (RoHS compliant) Phosphor Bronze
 Contact plating Tin (leadfree)
 Insulator material (RoHS compliant) Nylon (black) UL 94 V-0

Dimensions (mm)

Contacts	DIM "A"	DIM "B"	Contacts	DIM "A"	DIM "B"	Contacts	DIM "A"	DIM "B"	Contacts	DIM "A"	DIM "B"
003	7.15	5.05	012	18.40	16.30	021	29.65	27.55	030	40.90	38.80
004	8.40	6.30	013	19.65	17.55	022	30.90	28.80	031	42.15	40.05
005	9.65	7.55	014	20.90	18.80	023	32.15	30.05	032	43.40	41.30
006	10.90	8.80	015	22.15	20.05	024	33.40	31.30	033	44.65	42.55
007	12.15	10.05	016	23.40	21.30	025	34.65	32.55	034	45.90	43.80
008	13.40	11.30	017	24.65	22.55	026	35.90	33.80	035	47.15	45.05
009	14.65	12.55	018	25.90	23.80	027	37.15	35.05	036	48.40	46.30
010	15.90	13.80	019	27.15	25.05	028	38.40	36.30			
011	17.50	15.05	020	28.40	26.30	029	39.65	37.55			

How to order

FCL - xxx - H125 - 99

