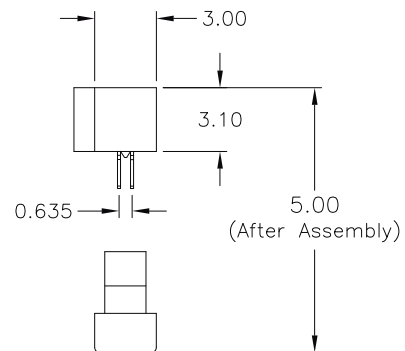
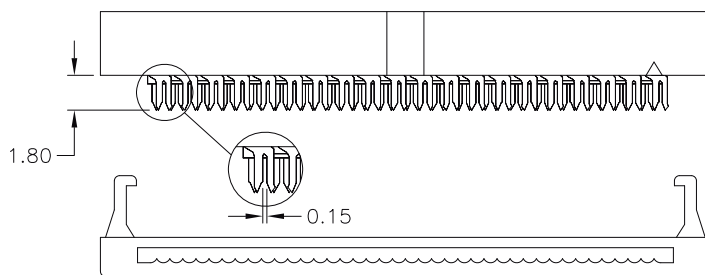
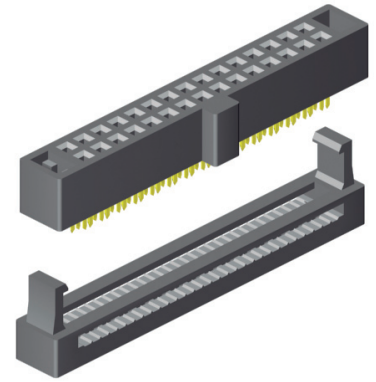
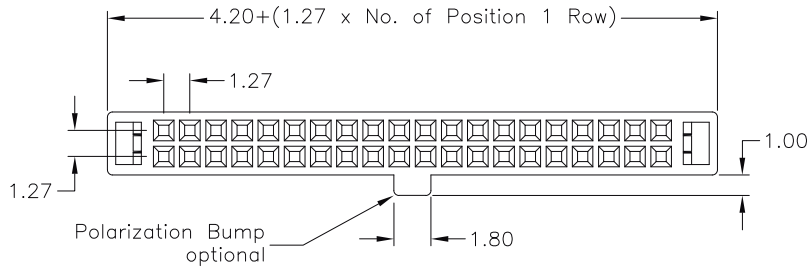


1.27mm pitch

IDC – Female Connector



SPECIFICATIONS

Current rating	0.5 A	Operating temperature	- 40°C to +105°C
Contact resistance	30 mΩ max.	Contact material	(RoHS compliant) Phosphor Bronze
Insulation resistance	1000 MΩ min.	Insulator material	(RoHS compliant) P.B.T. black UL 94 V-0
Withstanding voltage	250 V AC		

APPLICATION AND FEATURES

Designed to mate with 0.40mm square pins, box (shrouded) header type
 SLS – xxx – X 510 – 55/11
 High Quality dual beam contacts.
 Accepts 30 AWG 0.635mm pitch flat ribbon cable.

How to order

IDS - xxx - W 050 - 55 / P

Nbr of contacts
006; 008; 010; 012
014; 016; 020; 022
024; 026; 030; 034
036; 040; 044; 050
060; 064; 068; 080

Plating
55 = gold

Option
P
if Polarization bump is requested.