

PCB LAYOUT  
(Top View)

**SPECIFICATION :**

**1. Electrical Char.**

- Insulation Resistance : 500M-Ohm Min.
- Contact Resistance : 20milli-Ohm Max.
- Rating Current : 1.5A Max.
- Rating Voltage : 120V AC
- Dielectric Voltage : 1,000 Vrms 60 Sec. Min.

**2. Physical char.**

- Housing : PBT Glass Filled (UL 94V-0)
- Color : Black Color
- Spring Wire : 0.45mm Dia. Phosphor Bronze
- Gold Plating Over Nickel
- Temperature Range : - 25 /+90 Deg C
- Durability : 500 Mating cycles Min.

**AJ-012-4-A-X-N** ← **FLANGELESS**

A=4p4c

Gold plated	1=15u , 2=30u
	3=50u , 4= 6 u

TITLE  
**RJ11 TOP ENTRY PCB JACK**  
UL & cUL FILE NO. E131820

**MODULAR JACKS ASSY FOR**  
**AJ-012-4-A-X-N**

SCALE SIZE DWG. NO. 9605 SERIES

NOT SCALED DRAWING	TOLERANCE UNLESS OTHERWISE NOTICE	INCH	MM	DR.	DATE
 THIRD ANGLE PROJECTION	LINEAR $\frac{MM}{INCH}$	00±0.01	00±0.25	Steven	AUG-23 '04
		000±0.005	000±0.13	Johnn	AUG-23 '04
	ANGLE +0°30'	RADIL	+0.45 -0.15	Billy	AUG-23 '04

DWG. NO. **AS012002**

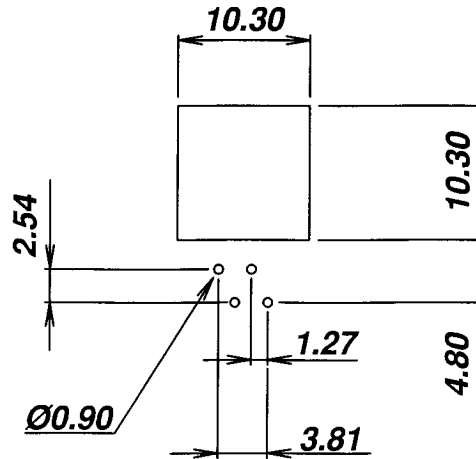
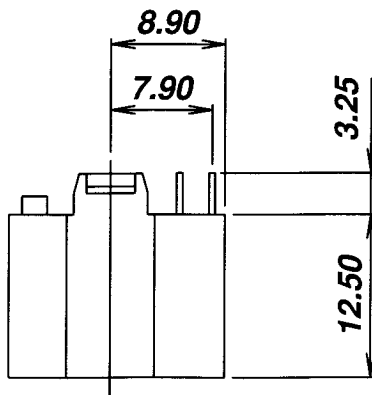
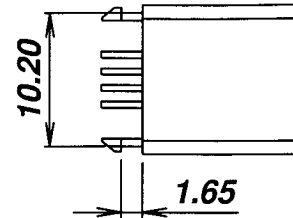
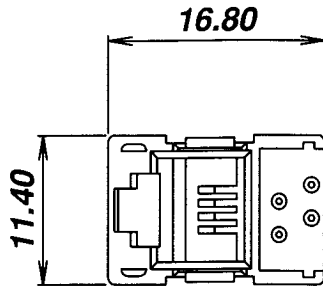
**SPECIFICATION :**

**1. Electrical Char.**

Insulation Resistance : 500M-Ohm Min.  
Contact Resistance : 20milli-Ohm Max.  
Rating Current : 1.5A Max.  
Rating Voltage : 120V AC  
Dielectric Voltage : 1,000 Vrms 60 Sec. Min.

**2. Physical char.**

Housing : PBT Glass Filled (UL 94V-0)  
Color : Black Color  
Spring Wire : 0.45mm Dia. Phosphor Bronze  
Gold Plating Over Nickel  
Temperature Range : - 25 /+90 Deg C



**PCB LAYOUT  
( Bottom View )**

**AJ-001-4-A-X**

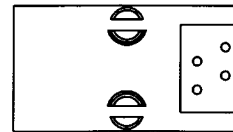
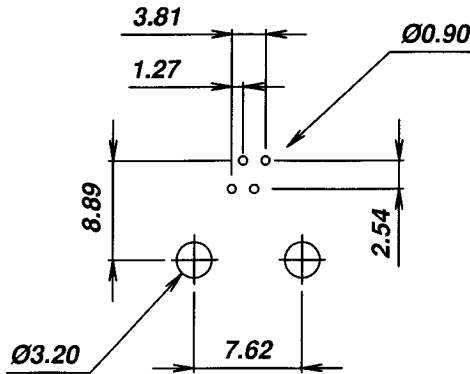
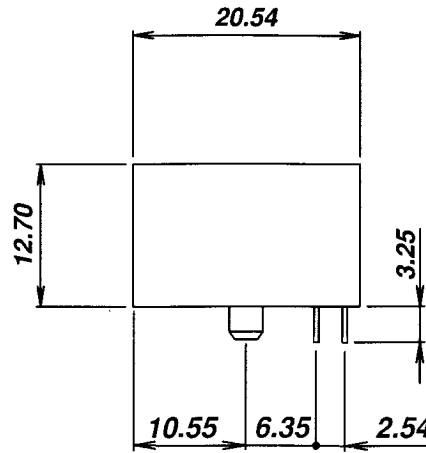
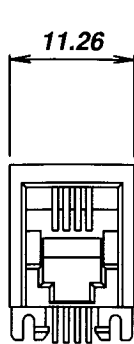
A=4p4c

Gold plated 1=15u, 3=50u  
2=30u, 4= 6 u

TITLE	
RJ11 BOTTOM ENTRY PCB JACK UL & cUL FILE NO. E131820	
MODULAR JACKS ASSY FOR AJ-001-4-A-X	
SCALE SIZE DWG. NO.9622-4 SERIES	

NOT SCALED DRAWING	TOLERANCE UNLESS OTHERWISE NOTICE	INCH	MM	DR.	DATE
 THIRD ANGLE PROJECTION	LINEAR $\frac{MM}{INCH}$	00±0.01	00±0.25	Steven	JUL-29 '04
		000±0.005	000±0.13	Johnn	JUL-29 '04
	ANGLE +0°30'	RADIL	+0.45 -0.15	Billy	JUL-29 '04

DWG. NO.  
**AS001001**



**PCB LAYOUT  
(Top View)**

**SPECIFICATION :**

**1. Electrical Char.**

- Insulation Resistance : 500M-Ohm Min.
- Contact Resistance : 20milli-Ohm Max.
- Rating Current : 1.5A Max.
- Rating Voltage : 120V AC
- Dielectric Voltage : 1,000 RMS 60 Sec. Min.

**2. Physical Char.**

- Housing : PBT Glass Filled (UL 94V-0)
- Color : Black Color
- Spring Wire : 0.45mm Dia. Phosphor Bronze  
Gold Plating Over Nickel
- Temperature Range : - 25 +90 C
- Durability : 500 Mating cycles Min.

**AJ-007-4-A-X-N** ← **FLANGELESS**

**A=4p4c**

Gold plated	1=15u , 3=50u
	2=30u , 4= 6 u

TITLE	<b>RJ11 SIDE ENTRY PCB JACK UL &amp; cUL FILE NO. E131820</b>
	<b>MODULAR JACKS ASSY FOR AJ-007-4-A-X-N</b>
	<b>SCALE SIZE DWG. NO. 9634 SERIES</b>

DWG. NO.  
**AS007002**

DO NOT SCALE DRAWING	TOLERANCES UNLESS OTHERWISE NOTED	INCH	MM	DR. <b>Steven</b>	DATA JUL-30 '04
THIRD ANGLE PROJECTION	LINEAR	MM INCH	00±0.01 000±0.005 0000±0.002	CK'D <b>Johnn</b>	JUL-30 '04
MM INCH	ANGLE +0°30'	RADIL	+0.45 -0.15	APP'D <b>Billy</b>	JUL-30 '04



**SPECIFICATION :**

**1. Electrical Char.**

- Insulation Resistance : 500M-Ohm Min.
- Contact Resistance : 20milli-Ohm Max.
- Rating Current : 1.5A Max.
- Rating Voltage : 120V AC
- Dielectric Voltage : 1,000 Vrms 60 Sec. Min.

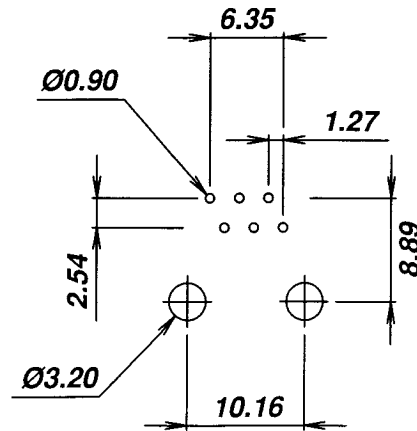
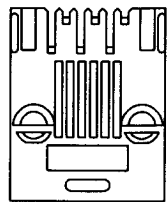
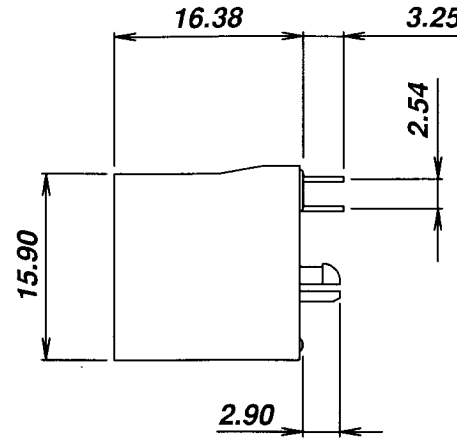
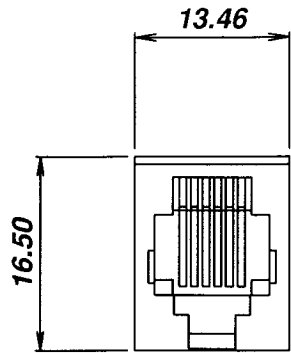
**2. Physical char.**

- Housing : PBT Glass Filled (UL 94V-0)
- Color : Black Color
- Spring Wire : 0.45mm Dia. Phosphor Bronze
- Gold Plating Over Nickel
- Temperature Range : - 25 /+90 Deg C
- Durability : 500 Mating cycles Min.

**AJ-012-6-X-X-N** ← **FLANGELESS**

B=6p2c , C=6p4c  
D=6p6c

Gold plated 1=15u , 2=30u  
3=50u , 4= 6 u



**PCB LAYOUT  
(Top View)**

TITLE	
RJ11 or RJ12 TOP ENTRY PCB JACK UL & cUL FILE NO. E131820	
MODULAR JACKS ASSY FOR AJ-012-6-X-X-N	
SCALE SIZE DWG. NO. 9607 SERIES	

NOT SCALED DRAWING	TOLERANCE UNLESS OTHERWISE NOTICE	INCH	MM	DR. Steven	DATE AUG-23 '04
THIRD ANGLE PROJECTION	LINEAR	MM INCH	00±0.01 000±0.005 0000±0.002	CK'D Johnn	AUG-23 '04
	ANGLE +0°30'	RADIL	+0.45 -0.15	APP'D Billy	AUG-23 '04

DWG. NO. **AS012004**

**SPECIFICATION :**

**1. Electrical Char.**

Insulation Resistance : 500M-Ohm Min.  
 Contact Resistance : 20milli-Ohm Max.  
 Rating Current : 1.5A Max.  
 Rating Voltage : 120V AC  
 Dielectric Voltage : 1,000 Vrms 60 Sec. Min.

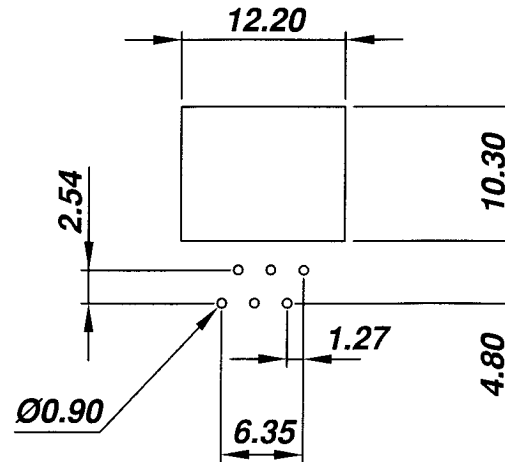
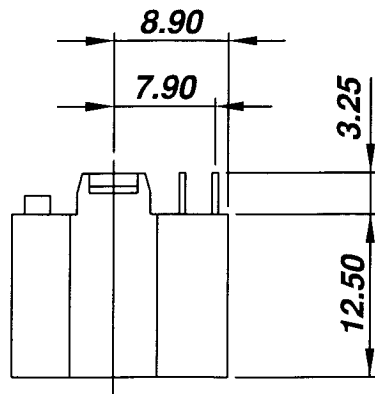
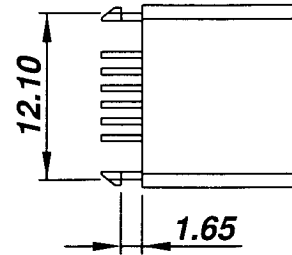
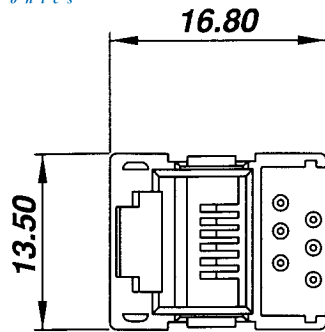
**2. Physical char.**

Housing : PBT Glass Filled (UL 94V-0)  
 Color : Black Color  
 Spring Wire : 0.45mm Dia. Phosphor Bronze  
 Gold Plating Over Nickel  
 Temperature Range : - 25 /+90 Deg C

**AJ-002-6-X-X**

B=6p2c, C=6p4c  
 D=6p6c

Gold plated  
 1=15u, 3=50u  
 2=30u, 4= 6 u

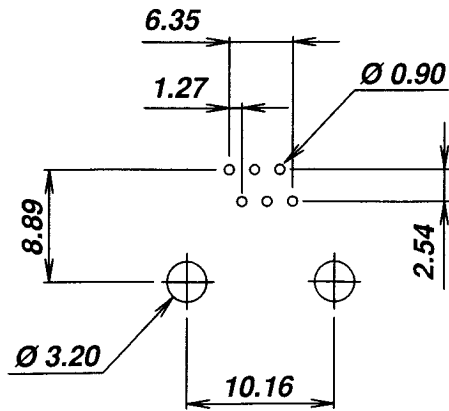
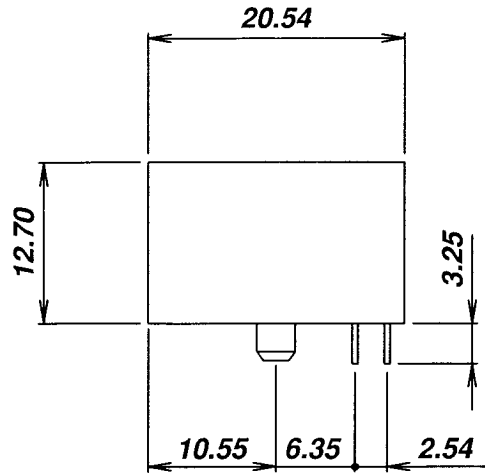
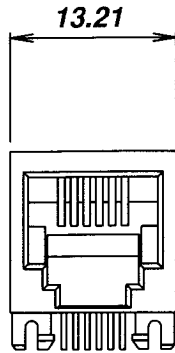


**PCB LAYOUT**  
( Bottom View )

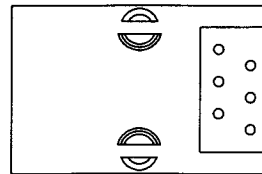
TITLE	
RJ11 or RJ12 BOTTOM ENTRY PCB JACK UL & cUL FILE NO. E131820	
MODULAR JACKS ASSY FOR AJ-002-6-X-X	
SCALE SIZE DWG. NO.9622 SERIES	

NOT SCALED DRAWING	TOLERANCE UNLESS OTHERWISE NOTICE	INCH	MM	DR.	DATE
 THIRD ANGLE PROJECTION	LINEAR $\frac{MM}{INCH}$	00±0.01	00±0.25	Steven	JUL-29 '04
		000±0.005	000±0.13	Johnn	JUL-29 '04
	ANGLE +0°30'	RADIL	+0.45 -0.15	Billy	JUL-29 '04

DWG. NO.  
**AS002001**



**PCB LAYOUT**  
(Top View)



**SPECIFICATION :**

**1. Electrical Char.**

- Insulation Resistance : 500M-Ohm Min.
- Contact Resistance : 20milli-Ohm Max.
- Rating Current : 1.5A Max.
- Rating Voltage : 120V AC
- Dielectric Voltage : 1,000 RMS 60 Sec. Min.

**2. Physical Char.**

- Housing : PBT Glass Filled (UL 94V-0)
- Color : Black Color
- Spring Wire : 0.45mm Dia. Phosphor Bronze  
Gold Plating Over Nickel
- Temperature Range : - 25 +90 C
- Durability : 500 Mating cycles Min.

**AJ-007-6-X-X-N** ← FLANGELESS

B=6p2c , C=6p4c  
D=6p6c

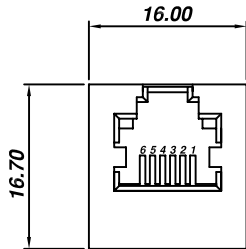
Gold plated 1=15u , 3=50u  
2=30u , 4= 6 u

TITLE
RJ11 or RJ12 SIDE ENTRY PCB JACK UL & cUL FILE NO. E131820
MODULAR JACKS ASSY FOR AJ-007-6-X-X-N
SCALE SIZE DWG. NO. 9636 SERIES

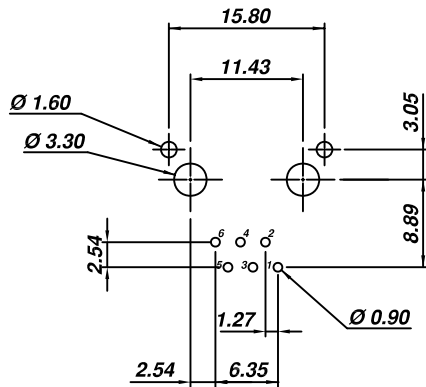
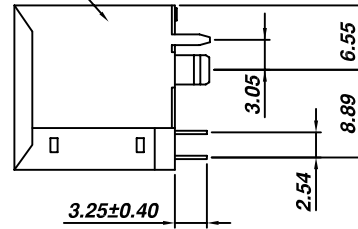
NOT SCALED DRAWING	TOLERANCE UNLESS OTHERWISE NOTICE	INCH	MM	DR.	DATE
THIRD ANGLE PROJECTION	LINEAR $\frac{MM}{INCH}$	00±0.01 000±0.005 0000±0.002	00±0.25 000±0.13 0000±0.05	CK'D Johnn	SEP-27 '04
$\frac{MM}{INCH}$	ANGLE+0'30'	RADIL	+0.45 -0.15	APP'D Billy	SEP-27 '04

DWG. NO. **AS007004**

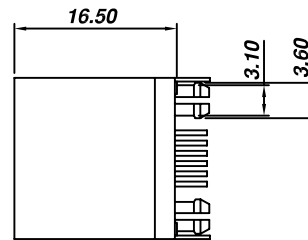
RoHS Compliant



SHIELDED



PCB LAYOUT  
(Top View)



**SPECIFICATION :**

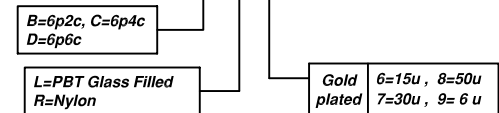
**1. Electrical Char.**

- Insulation Resistance : 500M-Ohm Min.
- Contact Resistance : 20milli-Ohm Max.
- Rating Current : 1.5A Max.
- Rating Voltage : 120V AC.
- Dielectric Voltage : 1,000 Vrms 60 Sec. Min.

**2. Physical char.**

- Housing (Option) :
  - PBT Glass Filled (UL 94V-0), Soldering Temperature:235°C
  - Nylon (UL 94V-0), Soldering Temperature:260°C
- Color : Black Color
- Spring Wire :
  - 0.35mm Thickness Phosphor bronze Gold Plating Over Nickel
- Shielded : Brass Plating Nickel
- Temperature Range : - 40°C / +85°C
- Durability : 500 Mating cycles Min.

**AJ-012SH-7-X-XX-A1-N1**



TITLE	
TOP ENTRY SHIELDED PCB JACK UL & cUL FILE NO. E131820	
MODULAR JACKS ASSY FOR AJ-012SH-7-X-XX-A1-N1	
SCALE SIZE DWG. NO. 9628-S6 SERIES	

DWG. NO. <b>ASC012017-2</b>	NOT SCALED DRAWING	TOLERANCE UNLESS OTHERWISE NOTICE	INCH	MM	DR. <i>Steven</i>	DATE FEB-13 '08
	THIRD ANGLE PROJECTION	LINEAR	MM INCH	00±0.01 000±0.005 0000±0.002	00±0.25 000±0.13 0000±0.05	CK'D <i>Johnn</i> APP'D <i>Billy</i>
	MM INCH	ANGLE +0°30'	RADIL	+0.45 -0.15		FEB-13 '08

# SPECIFICATION :

## 1. Electrical Char.

Insulation Resistance : 500M-Ohm Min.  
Contact Resistance : 20milli-Ohm Max.  
Rating Current : 1.5A Max.  
Rating Voltage : 120V AC  
Dielectric Voltage : 1,000 Vrms 60 Sec. Min.

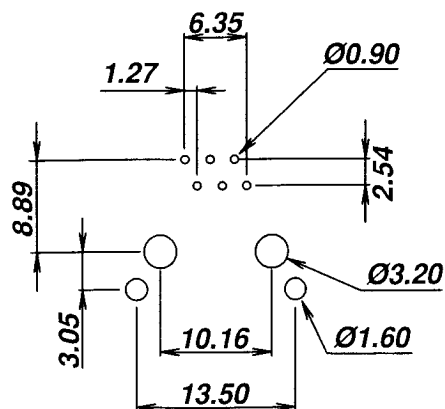
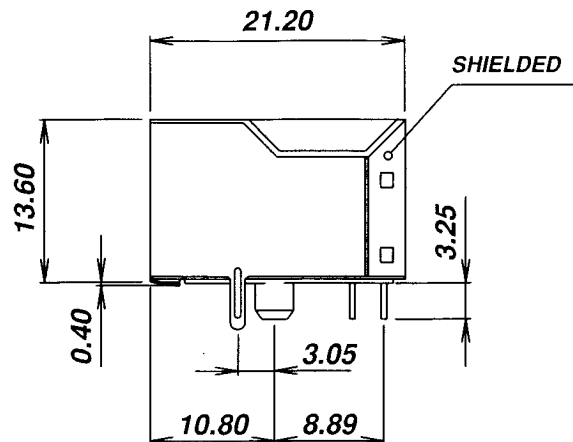
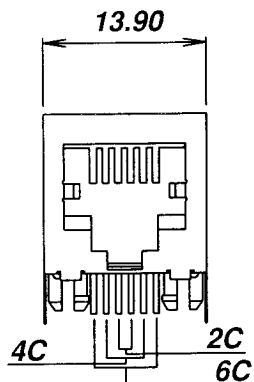
## 2. Physical char.

Housing : PBT Glass Filled (UL 94V-0)  
Color : Black Color  
Contact Wires : 0.45mm Dia. Phosphor bronze  
Gold Plating Over Nickel  
Temperature Range : - 25 /+90 Deg C  
Durability : 500 Mating cycles Min.

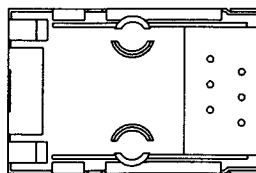
## AJ-007SH-6-X-X-A1-N1

B=6p2c, C=6p4c  
D=6p6c

Gold plated 1=15u, 3=50u  
2=30u, 4= 6 u



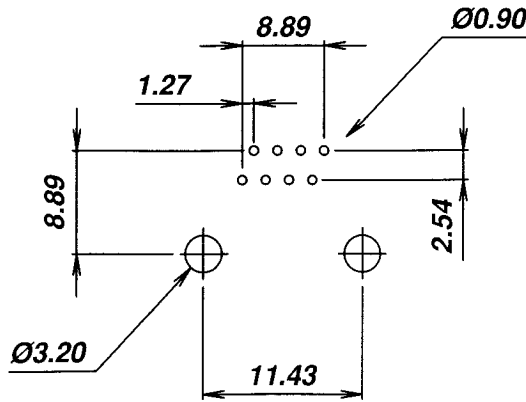
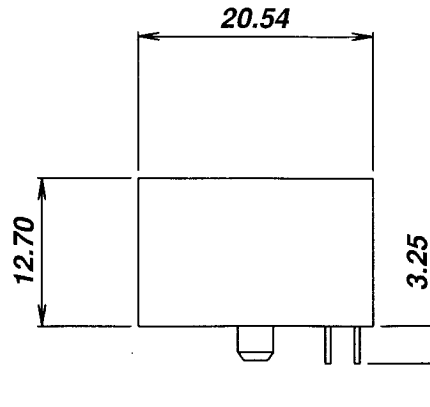
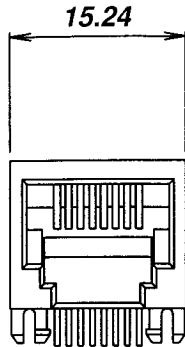
**PCB LAYOUT**  
(Top View)



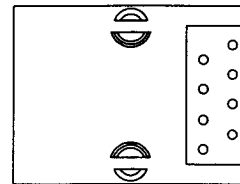
TITLE RJ11 or RJ12 SIDE ENTRY SHIELDED PCB JACK UL & cUL FILE NO. E131820	
MODULAR JACKS ASSY FOR AJ-007SH-6-X-X-A1-N1	
SCALE SIZE DWG. NO. 9636S SERIES	

NOT SCALED DRAWING	TOLERANCE UNLESS OTHERWISE NOTICE	INCH	MM	DR. Steven	DATE NOV-23 '04
THIRD ANGLE PROJECTION	LINEAR $\frac{MM}{INCH}$	00±0.01 000±0.005 0000±0.002	00±0.25 000±0.13 0000±0.05	CK'D Johnn	NOV-23 '04
	ANGLE+0'30'	RADIL	+0.45 -0.15	APP'D Billy	NOV-23 '04

DWG. NO. **AS007005**



**PCB LAYOUT**  
(Top View)



## SPECIFICATION :

### 1. Electrical Char.

Insulation Resistance : 500M-Ohm Min.  
 Contact Resistance : 20milli-Ohm Max.  
 Rating Current : 1.5A Max.  
 Rating Voltage : 120V AC  
 Dielectric Voltage : 1,000 Vrms 60 Sec. Min.

### 2. Physical char.

Housing : PBT Glass Filled (UL 94V-0)  
 Color : Black Color  
 Spring Wire : 0.45mm Dia. Phosphor Bronze  
 Gold Plating Over Nickel  
 Temperature Range : - 25 /+90 Deg C  
 Durability : 500 Mating cycles Min.

**AJ-008-8-F-X-N** ← FLANGELESS

F=8p8c

Gold plated 1=15u, 3=50u  
 2=30u, 4= 6 u

DWG. NO. **AS008002**

NOT SCALED DRAWING	TOLERANCE UNLESS OTHERWISE NOTICE	INCH	MM	DR. <b>Steven</b>	DATE SEP-07 '04
THIRD ANGLE PROJECTION	LINEAR $\frac{MM}{INCH}$	$00\pm0.01$ $000\pm0.005$ $0000\pm0.002$	$00\pm0.25$ $000\pm0.13$ $0000\pm0.05$	CK'D <b>Johnn</b>	SEP-07 '04
$\frac{MM}{INCH}$	ANGLE +0°30'	RADIL	+0.45 -0.15	APP'D <b>Billy</b>	SEP-07 '04

TITLE  
**RJ45 SIDE ENTRY PCB JACK**  
 UL & cUL FILE NO. E131820  
**MODULAR JACKS ASSY FOR**  
**AJ-008-8-F-X-N**

SCALE SIZE DWG. NO. 9638 SERIES

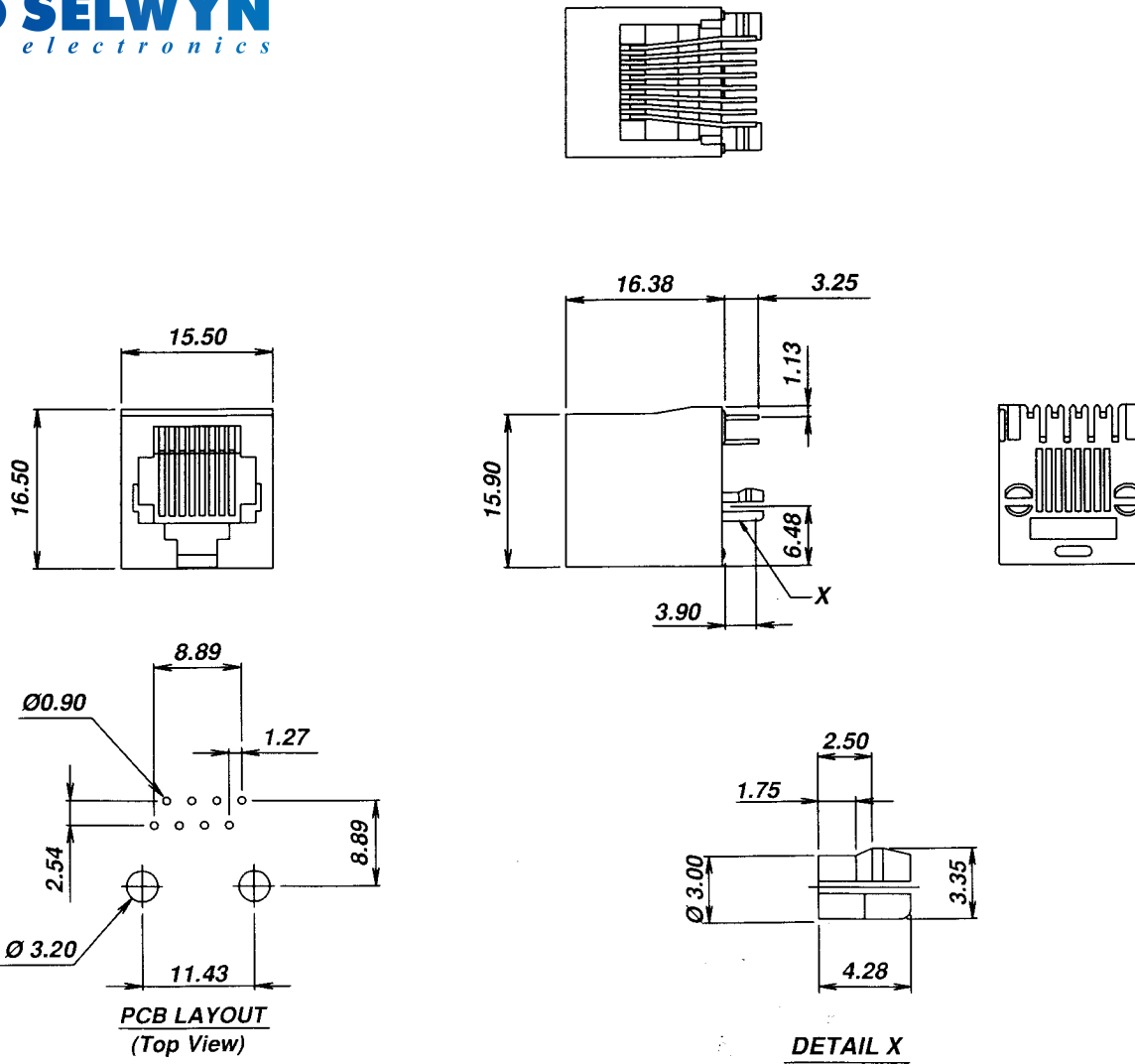
**SPECIFICATION :**

**1. Electrical Char.**

Insulation Resistance : 500M-Ohm Min.  
 Contact Resistance : 20milli-Ohm Max.  
 Rating Current : 1.5A Max.  
 Rating Voltage : 120V AC  
 Dielectric Voltage : 1,000 Vrms 60 Sec. Min.

**2. Physical char.**

Housing : PBT Glass Filled (UL 94V-0)  
 Color : Black Color  
 Spring Wire : 0.45mm Dia. Phosphor Bronze  
 Gold Plating Over Nickel  
 Temperature Range : - 25 /+90 Deg C  
 Durability : 500 Mating cycles Min.



**AJ-012-8-F-X-N** ← **FLANGELESS**

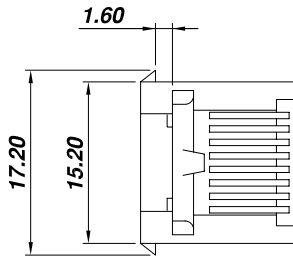
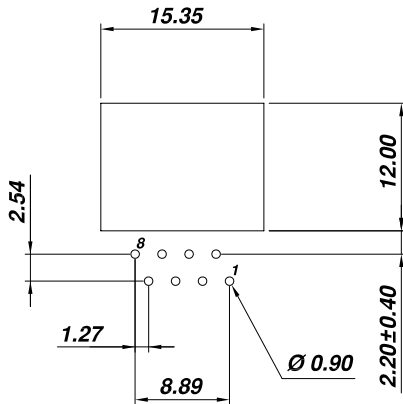
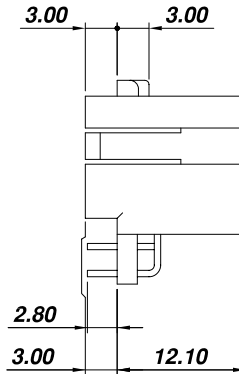
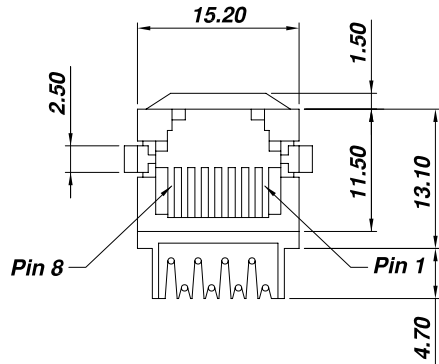
F=8p8c  
 Gold plated 1=15u, 2=30u, 3=50u, 4= 6 u

TITLE	
RJ45 SIDE ENTRY PCB JACK UL & cUL FILE NO. E131820	
MODULAR JACKS ASSY FOR AJ-012-8-F-X-N	
SCALE SIZE DWG. NO. 9628 SERIES	

NOT SCALED DRAWING	TOLERANCE UNLESS OTHERWISE NOTICE	INCH	MM	DR.	DATE
THIRD ANGLE PROJECTION	LINEAR	00±0.01 000±0.005 0000±0.002	00±0.25 000±0.13 0000±0.05	Steven John Billy	MAY-19 '05 MAY-19 '05 MAY-19 '05
	ANGLE +0°30'	RADIL	+0.45 -0.15	APP'D	

DWG. NO. **AS012007**

RoHS Compliant



**PCB LAYOUT**  
( Bottom View )

**SPECIFICATION :**

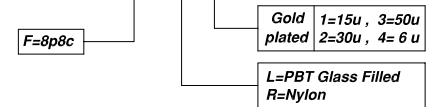
**1. Electrical Char.**

- Insulation Resistance : 500M-Ohm Min.
- Contact Resistance : 20milli-Ohm Max.
- Rating Current : 1.5A Max.
- Rating Voltage : 120V AC.
- Dielectric Voltage : 1,000 Vrms 60 Sec. Min.

**2. Physical char.**

- Housing (Option) :
  - PBT Glass Filled (UL 94V-0), Soldering Temperature:235°C
  - Nylon (UL 94V-0), Soldering Temperature:260°C
- Color : Black Color
- Spring Wire:
  - 0.45mm Dia. Phosphor bronze Gold Plating Over Nickel
- Temperature Range : - 40°C / +85°C
- Durability : 500 Mating cycles Min.

**AJ-003-8-F-XX**



TITLE

**RJ45 BOTTOM ENTRY PCB JACK**  
**UL & cUL FILE NO. E131820**

**MODULAR JACKS ASSY FOR**  
**AJ-003-8-F-XX**

**SCALE SIZE DWG. NO.9622-8 SERIES**

DWG. NO.

**AST003003-1**

NOT SCALED DRAWING	TOLERANCE UNLESS OTHERWISE NOTICE	INCH	MM	DR.	DATE
 THIRD ANGLE PROJECTION	LINEAR	MM INCH	00±0.01 000±0.005 0000±0.002	Steven CK'D	DEC-03 '07
	ANGLE +0° 30'	RADIL	+0.45 -0.15	Johnn APP'D	DEC-03 '07
MM INCH				Billy	DEC-03 '07





**SPECIFICATION :**

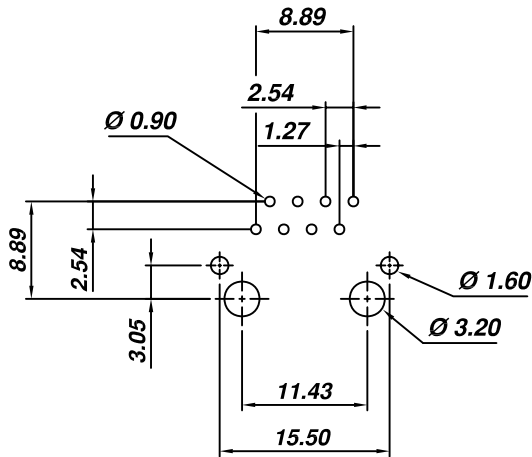
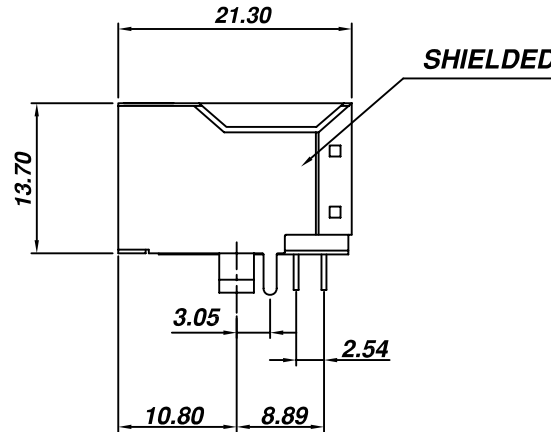
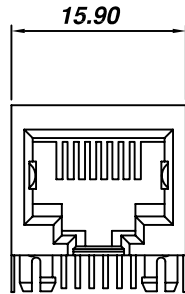
**1. Electrical Char.**

- Insulation Resistance : 500M-Ohm Min.
- Contact Resistance : 20milli-Ohm Max.
- Rating Current : 1.5A Max.
- Rating Voltage : 120V AC.
- Dielectric Voltage : 1,000 Vrms 60 Sec. Min.

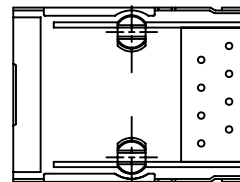
**2. Physical char.**

- Housing : PBT Glass Filled (UL 94V-0)
- Color : Black Color
- Spring Wire : 0.45mm Dia. Phosphor bronze  
Nickel Plated and with 6u Gold Plated.
- Temperature Range : - 40°C / +85°C
- Durability : 500 Mating cycles Min.

**AJ-008SH-8-F-L4-B1-N1**



**PCB LAYOUT**  
( Top View )



TITLE	
<b>RJ45 SIDE ENTRY SHIELDED PCB JACK</b> UL & cUL FILE NO. E131820	
<b>MODULAR JACKS ASSY FOR</b> <b>AJ-008SH-8-F-L4-B1-N1</b>	
SCALE SIZE DWG. NO. 9638S SERIES	

DWG. NO.	<b>AS008016-1W</b>
----------	--------------------

NOT SCALED DRAWING	TOLERANCE UNLESS OTHERWISE NOTICE	INCH	MM	DR.	DATE
THIRD ANGLE PROJECTION	LINEAR $\frac{MM}{INCH}$	$00 \pm 0.01$ $000 \pm 0.005$ $0000 \pm 0.002$	$00 \pm 0.25$ $000 \pm 0.13$ $0000 \pm 0.05$	<i>Steven</i> CK'D	MAR-01 '06
$\frac{MM}{INCH}$	ANGLE $+0^{\circ}30'$	RADIL	$+0.45$ $-0.15$	<i>John</i> APP'D	MAR-01 '06
				<i>Billy</i>	MAR-01 '06