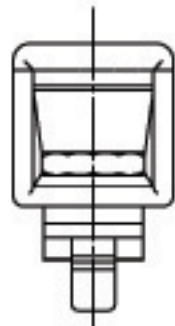
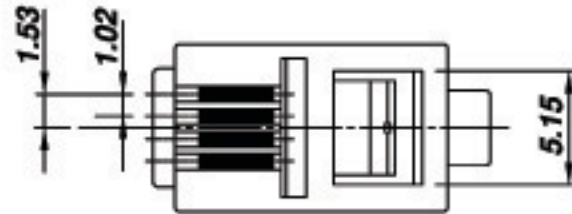
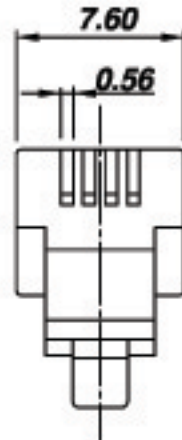
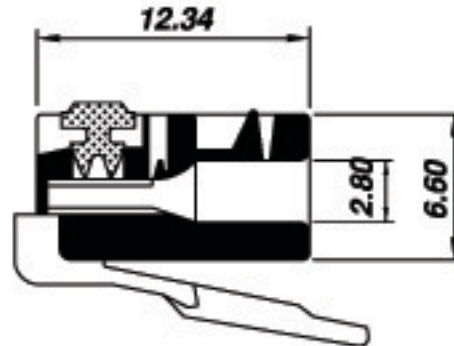


RoHS Compliant



For Flat Cable



SPECIFICATION :

1. Electrical Char.

- Insulation Resistance : 500M-Ohm Min.
- Contact Resistance : 20milli-Ohm Max.
- Rating Current : 1.5A Min.
- Dielectric Voltage : 1,000 Vrms 60 Sec. Min.

2. Physical Char.

- Housing : Polycarbonate (PC) UL 94V2
- Contact Blade : High strength copper alloy
- Gold plated : Gold plating over Nickel.

P-100-A-LX

A=4p4c

Gold Plated
1=15u , 3=50u
2=30u , 4= 6u

TITLE

RJ11 PLUG
UL & cUL FILE NO. E131820

P-100-A-LX

SCALE SIZE DWG. NO. P-100 SERIES

DWG. NO.
ASPL10001-1

NOT SCALED DRAWING	TOLERANCE UNLESS OTHERWISE NOTICE	INCH	MM	DR.	DATE
 THIRD ANGLE PROJECTION	LINEAR MM INCH	00±0.01	00±0.25	<i>Saver</i>	AUG-30 '06
		000±0.005	000±0.13	CK'D	
		0000±0.002	0000±0.05	<i>John</i>	AUG-30 '06
	ANGLE ±30°	RADIL	+0.45 -0.15	APP'D <i>Billy</i>	AUG-30 '06

SPECIFICATION :

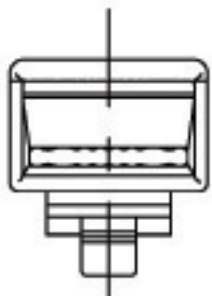
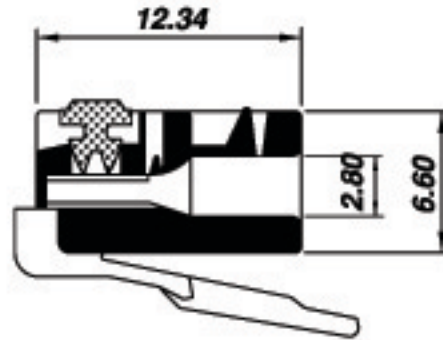
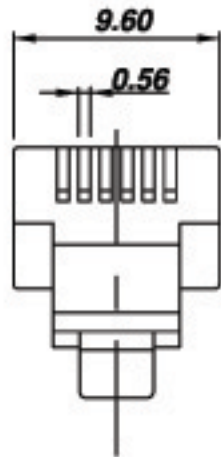
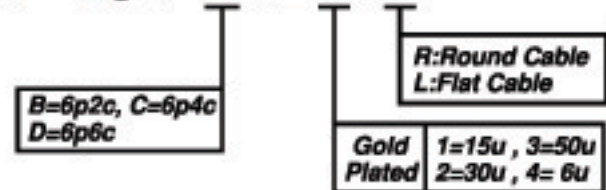
1. Electrical Char.

- Insulation Resistance : 500M-Ohm Min.
- Contact Resistance : 20milli-Ohm Max.
- Rating Current : 1.5A Min.
- Dielectric Voltage : 1,000 Vrms 60 Sec. Min.

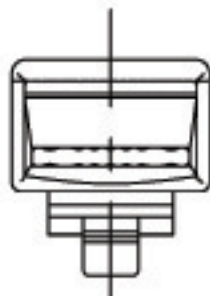
2. Physical Char.

- Housing : Polycarbonate (PC) UL 94V2
- Contact Blade : High strength copper alloy
- Gold plated : Gold plating over Nickel.

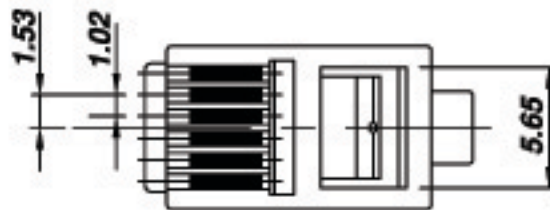
P-101-X-LX-X



For Flat Cable



Round Cable



TITLE	RJ11 or RJ12 PLUG UL & cUL FILE NO. E131820	
	P-101-X-LX-X	
	SCALE SIZE DWG. NO. P-101 SERIES	

DWG. NO. **ASPL10101-1**

NOT SCALED DRAWING	TOLERANCE UNLESS OTHERWISE NOTICE	INCH	MM	DR. <i>Steven</i>	DATE AUG-30 '06
THIRD ANGLE PROJECTION	LINEAR	$\frac{MM}{INCH}$	$\frac{MM}{INCH}$	CK'D <i>John</i>	AUG-30 '06
	ANGLE $\pm 0'30''$	RADIAL	$\frac{MM}{INCH}$	APP'D <i>Billy</i>	AUG-30 '06

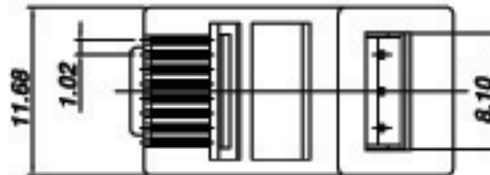
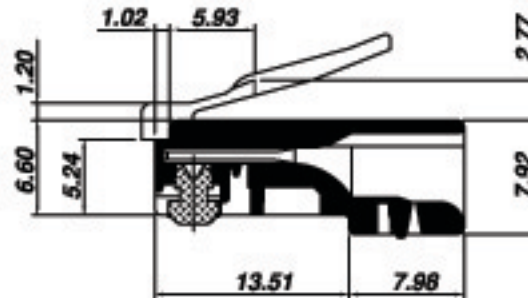
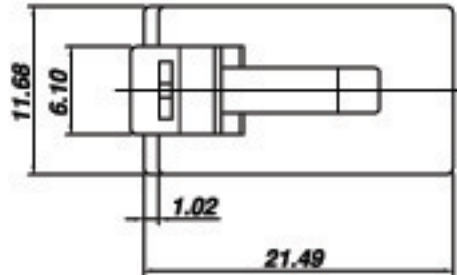
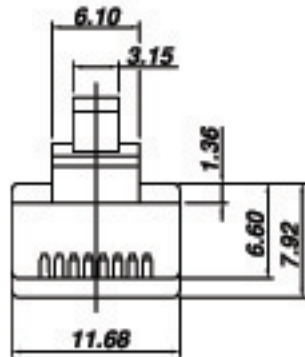
SPECIFICATION :

1. Electrical Char.

- Insulation Resistance** : 500M-Ohm Min.
- Contact Resistance** : 20milli-Ohm Max.
- Rating Current** : 1.5A Min.
- Dielectric Voltage** : 1,000 Vrms 60 Sec. Min.

2. Physical Char.

- Housing** : Polycarbonate (PC) UL 94V2
- Contact Blade** : High strength copper alloy
- Gold plated** : Gold plating over Nickel.



For Flat Cable



Round Cable

P-102-F-LX-X

F=8p8c

Gold Plated
1=15u, 3=50u
2=30u, 4= 6u

R:Round Cable
L:Flat Cable

DWG. NO.
ASPL102001-1

NOT SCALED DRAWING	TOLERANCE UNLESS OTHERWISE NOTICE	INCH	MM	DR. <i>Steve</i>	DATE MAR-01 '06
THIRD ANGLE PROJECTION	LINEAR	MM INCH	00±0.01 000±0.005 0000±0.002	CK'D <i>John</i>	MAR-01 '06
	ANGLE +0°30'	RADIL	+0.45 -0.15	APP'D <i>Billy</i>	MAR-01 '06

TITLE

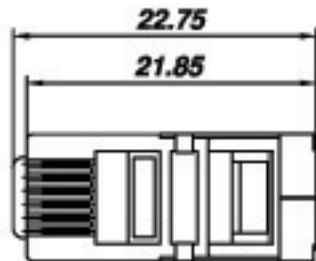
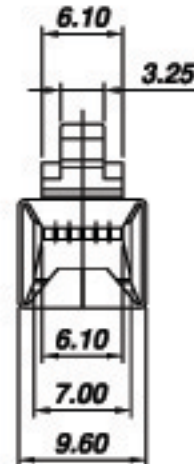
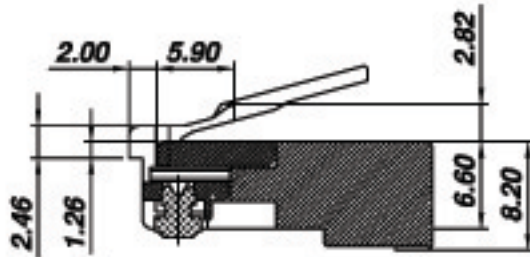
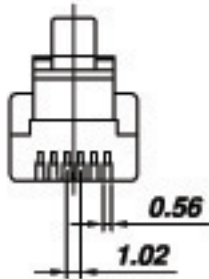
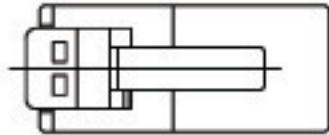
RJ45 Plug Unshielded

UL & cUL FILE NO. E131820

**MODULAR JACKS ASSY FOR
P-102-F-LX-X**

SCALE SIZE DWG. NO. P-102-S SERIES

RoHS Compliant



SPECIFICATION :

1. Electrical Char.

- Insulation Resistance : 500M-Ohm Min.
- Contact Resistance : 20milli-Ohm Max.
- Rating Current : 1.5A Min.
- Dielectric Voltage : 1,000 Vrms 60 Sec. Min.

2. Physical Char.

- Housing : Polycarbonate (PC) UL 94V2
- Contact Blade : High strength copper alloy
- Gold plated : Gold plating over Nickel.

P-101S-X-LX

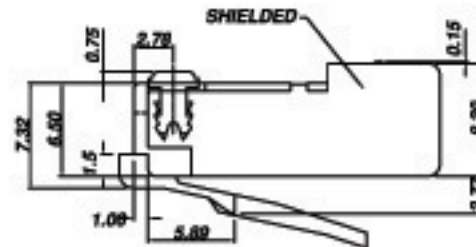
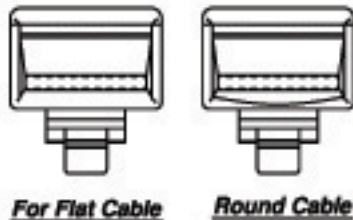
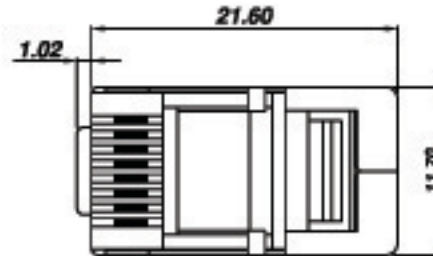
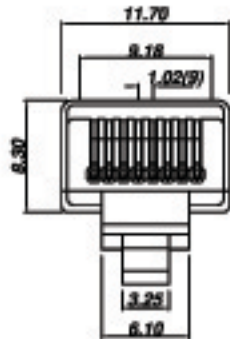
B=6p2c, C=6p4c
D=6p6c

Gold Plated 1=15u , 3=50u
2=30u , 4= 6u

DWG. NO. **ASPL10103-1**

NOT SCALED DRAWING	TOLERANCE UNLESS OTHERWISE NOTICE	INCH	MM	DR. <i>Sever</i>	DATE
THIRD ANGLE PROJECTION	LINEAR	00±0.01 000±0.005 0000±0.002	00±0.25 000±0.13 0000±0.05	CK'D <i>John</i>	MAR-01 '06
	ANGLE ±0°30'	RADIL	+0.45 -0.15	APP'D <i>Billy</i>	MAR-01 '06

TITLE	RJ12 Plug With Shielded UL & cUL FILE NO. E131820
	MODULAR JACKS ASSY FOR P-101S-X-LX
	SCALE SIZE DWG. NO. P-101-S SERIES



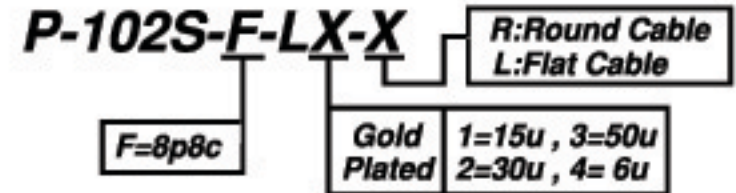
SPECIFICATION :

1. Electrical Char.

- Insulation Resistance : 500M-Ohm Min.
- Contact Resistance : 20milli-Ohm Max.
- Rating Current : 1.5A Min.
- Dielectric Voltage : 1,000 Vrms 60 Sec. Min.

2. Physical Char.

- Housing : Polycarbonate (PC) UL 94V2
- Contact Blade : High strength copper alloy
- Gold plated : Gold plating over Nickel.

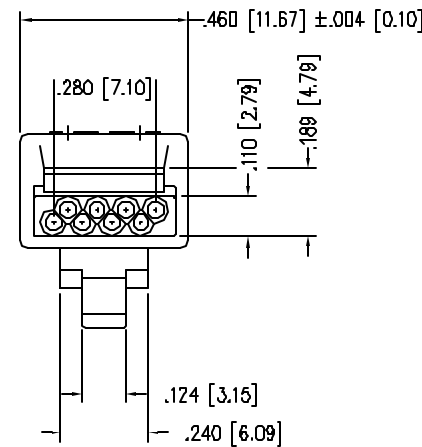
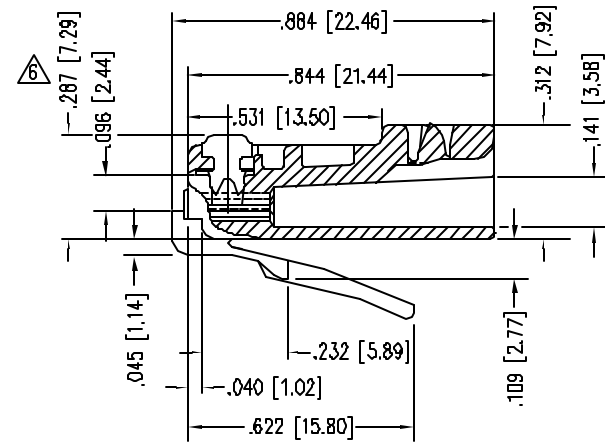
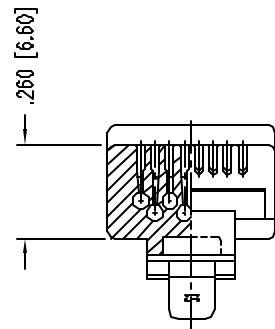
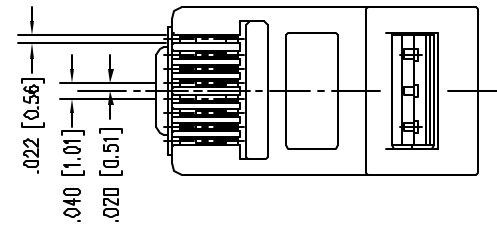


TITLE	
RJ45 Plug With Shielded UL & cUL FILE NO. E131820	
MODULAR JACKS ASSY FOR P-102S-F-LX-X	
SCALE SIZE DWG. NO. P-102-S SERIES	

DWG. NO. ASPL102014-1	NOT SCALED DRAWING	TOLERANCE UNLESS OTHERWISE NOTICE	INCH	MM	DR. <i>Steven</i>	DATE MAR-01 '06
	THIRD ANGLE PROJECTION	LINEAR	MM INCH	00±0.01 000±0.005 0000±0.002	00±0.25 000±0.13 0000±0.05	CK'D <i>John</i> MAR-01 '06
	MM INCH	ANGLE +0°30'	RADIAL	+0.45 -0.15	APP'D <i>Billy</i>	MAR-01 '06



DATE	REV	ECN	APP'D. BY
1/31/06	A1	7462	JM
2/7/06	A2	7486	JM



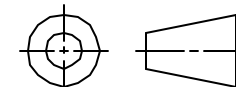
NOTES:

- 1- PLUG KIT CONSISTS OF :
PRE-INSERTED PLUG HOUSING
MANAGEMENT BAR
 - 2- MATERIALS :
FRONT HOUSING PLASTIC : CLEAR POLYCARBONATE, UL 94-V0
MANAGEMENT BAR : CLEAR POLYCARBONATE, UL 94-V0
CONTACTS : PHOSPHOR BRONZE, SELECTIVE GOLD PLATING
 - 3- CONTACTS TERMINATE STRANDED & SOLID CONDUCTORS UP TO .042 [1.07] OUTSIDE DIAMETER OF INSULATION.
 - 4- FOR PRODUCT SPECIFICATION SEE PR026-01.
 - 5- TOLERANCES COMPLY WITH F.C.C. DIMENSION REQUIREMENTS.
- ⚠ TERMINATED PLUG HEIGHT: .237 [6.02] ±.005 [0.13]

BULK	50 MICRO-INCHES [1.27um]	943-SP-370808M2
PACKAGE	CONTACT PLATING IN MATING AREA	PART NUMBER



THIRD ANGLE PROJECTION



DO NOT SCALE DRAWING
DRAWING IS SUBJECT TO
CHANGE WITHOUT NOTICE

DIMENSIONS: INCHES [METRIC]

UNLESS OTHERWISE SPECIFIED
TOLERANCES ARE ±.005 [0.13]
ANGLES ARE ± 1°

SHEET NO. 1 OF 1

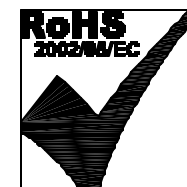
TITLE: CAT 5 PLUG

THIS DRAWING AND THE SUBJECT MATTER SHOWN THEREON
ARE CONFIDENTIAL AND THE PROPRIETARY PROPERTY OF
BEL STEWART CONNECTOR AND SHALL NOT BE REPRODUCED,
COPIED, OR USED IN ANY MANNER WITHOUT PRIOR WRITTEN
CONSENT OF BEL STEWART CONNECTOR. THE SUBJECT
MATTER MAY BE PATENTED OR A PATENT MAY BE PENDING.

DRN BY: R.S. DATE 2-2-94

APPO BY: TGM DATE 2-2-94

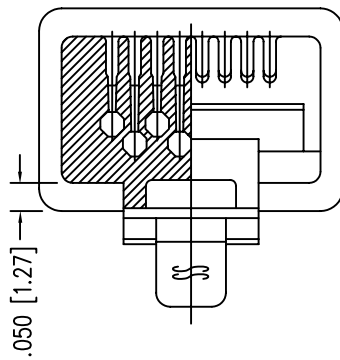
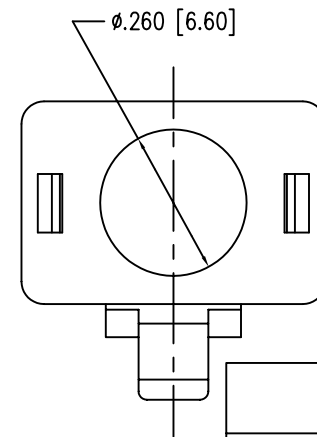
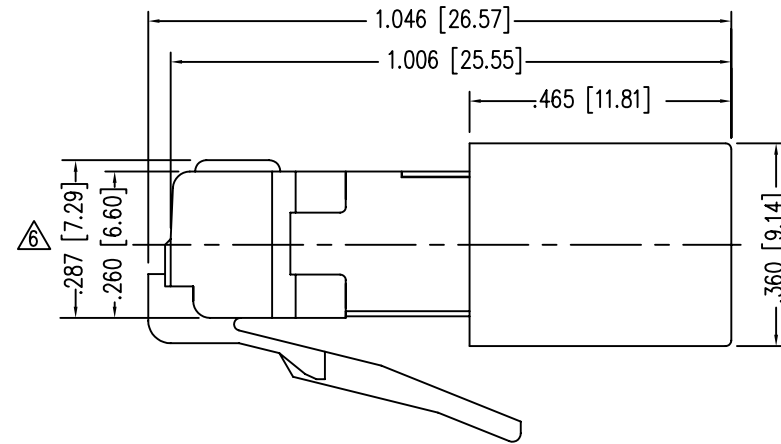
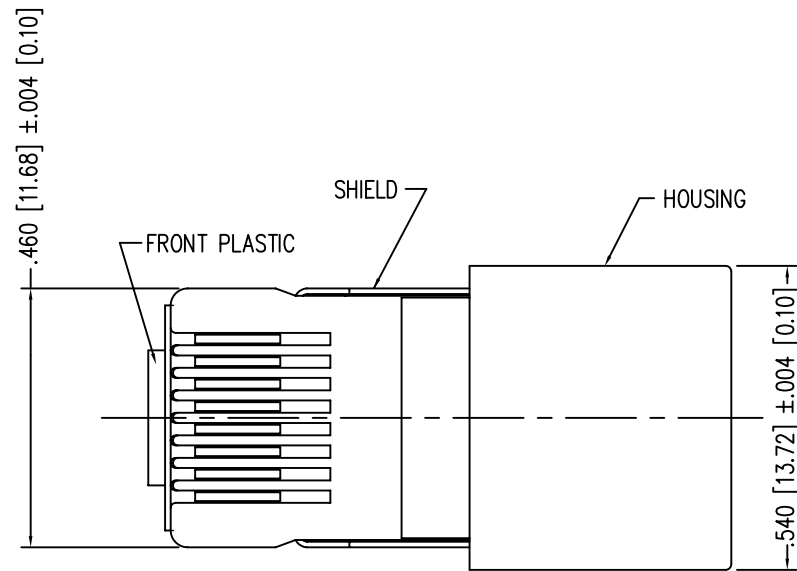
DWG NO. CT370001 REV. A2



REV. 7/3/03



DATE	REV	ECN	APP'D. BY
1/31/06	A1	7462	JM

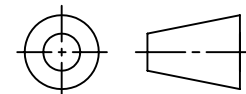


NOTES:

- 1- PLUG KIT CONSISTS OF :
PRE-INSERTED PLUG HOUSING & SHIELD
MANAGEMENT BAR
FERRULE
 - 2- MATERIALS :
FRONT HOUSING PLASTIC : CLEAR POLYCARBONATE, UL 94-V0
MANAGEMENT BAR : CLEAR POLYCARBONATE, UL 94-V0
SHIELD : TIN PLATED BRASS
CONTACTS : PHOSPHOR BRONZE, SELECTIVE GOLD PLATING
FERRULE : TIN PLATED BRASS
 - 3- CONTACTS TERMINATE STRANDED & SOLID CONDUCTORS UP TO .042 [1.07] OUTSIDE DIAMETER OF INSULATION.
 - 4- FOR PRODUCT SPECIFICATION SEE PR026-01.
 - 5- TOLERANCES COMPLY WITH F.C.C. DIMENSION REQUIREMENTS.
- ⚠ TERMINATED PLUG HEIGHT: .237 [6.02] ±.005 [0.13]

BULK	50 MICRO-INCHES [1.27um]	943-SP-370808SM2
PACKAGE	CONTACT PLATING IN MATING AREA	PART NUMBER

THIRD ANGLE PROJECTION



DO NOT SCALE DRAWING
DRAWING IS SUBJECT TO
CHANGE WITHOUT NOTICE

DIMENSIONS: INCHES [METRIC]

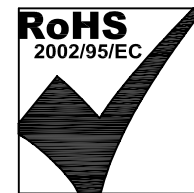
UNLESS OTHERWISE SPECIFIED
TOLERANCES ARE ±.005 [0.13]
ANGLES ARE ± 1°

SHEET NO. 1 OF 1

TITLE: CAT 5 PLUG, 8 X 8 SHIELDED PLUG

THIS DRAWING AND THE SUBJECT MATTER SHOWN THEREON ARE CONFIDENTIAL AND THE PROPRIETARY PROPERTY OF BEL STEWART CONNECTOR AND SHALL NOT BE REPRODUCED, COPIED, OR USED IN ANY MANNER WITHOUT PRIOR WRITTEN CONSENT OF BEL STEWART CONNECTOR. THE SUBJECT MATTER MAY BE PATENTED OR A PATENT MAY BE PENDING.

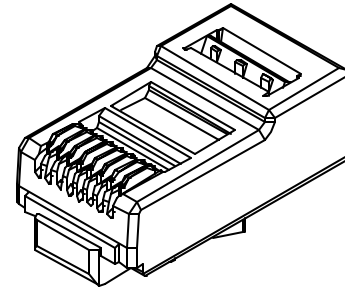
DRN BY: R.S.	DATE 2-2-94
APPD BY: TCM	DATE 2-7-94
DWG NO. CT370002	REV. A1



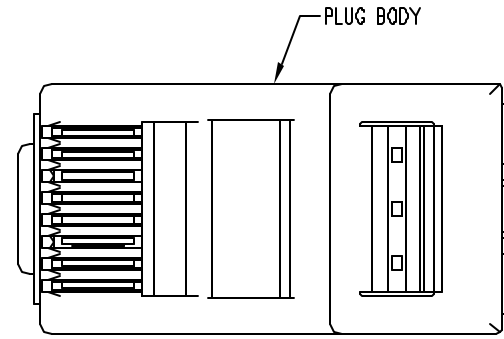
REV. 7/3/03



DATE	REV	ECN	APP'D. BY
-	X0	-	-
7-27-05	A0	7211	EPF
9-8-05	A1	7264	TRM
1-19-06	A2	7441	JM



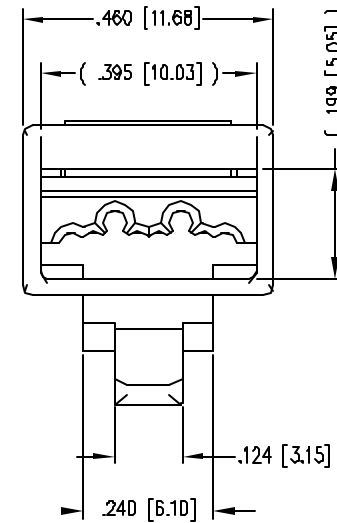
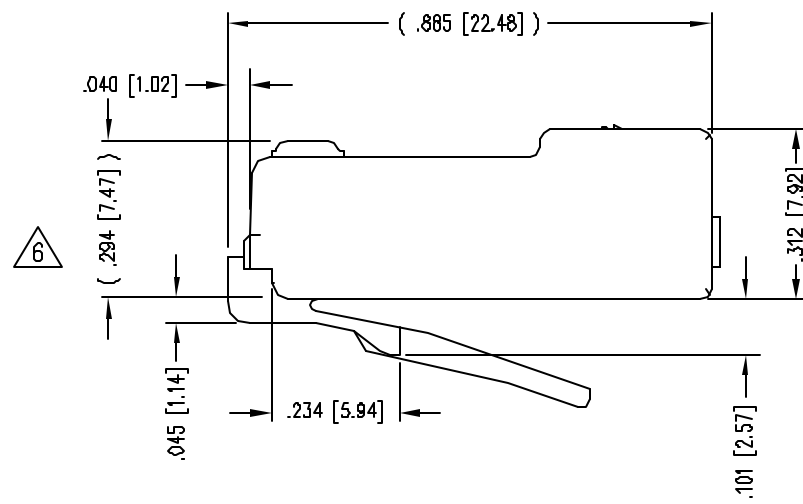
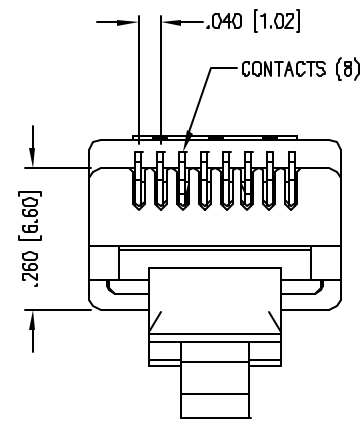
PLUG HOUSING



PLUG BODY

B

B

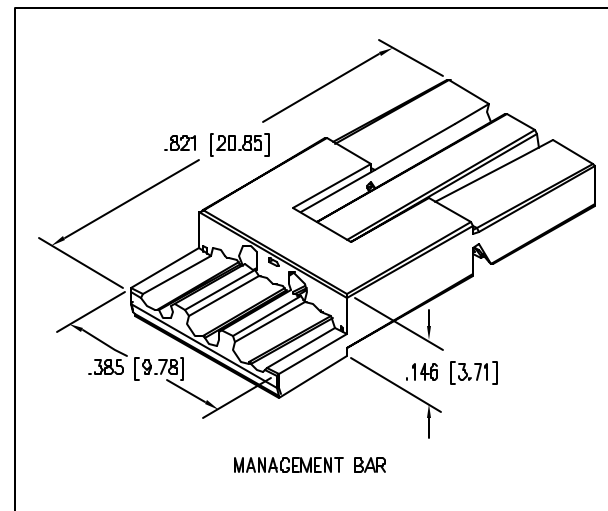


NOTES:

- 1- PLUG KIT CONSISTS OF :
PRE-INSERTED PLUG BODY
MANAGEMENT BAR
- 2- MATERIALS :
FRONT HOUSING PLASTIC : CLEAR POLYCARBONATE, UL 94-V0
MANAGEMENT BAR : CLEAR POLYCARBONATE, UL 94-V0
MANAGEMENT BAR COMPENSATOR: TIN PLATED BRASS
CONTACTS : PHOSPHOR BRONZE, SELECTIVE GOLD PLATING
- 3- CONTACTS TERMINATE SOLID OR STRANDED CONDUCTORS BETWEEN .037 [0.94] TO .042 [1.07] OUTSIDE DIAMETER OF INSULATION.
- 4- PLUG SPECIFICATION: FOR CATEGORY 6 APPLICATIONS.
- 5- TOLERANCES COMPLY WITH F.C.C. DIMENSION REQUIREMENTS.
- 6- TERMINATED PLUG HEIGHT: .237 [6.02] ± .005 [0.13]
- 7- FOR PRODUCT SPECIFICATION SEE PR026-01

A

A

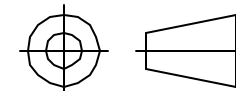


MANAGEMENT BAR

BAGS OF 25	50 MICRO-INCHES [1.27um]	SS-39100-005
BULK	50 MICRO-INCHES [1.27um]	SS-39100-002
PACKAGING	CONTACT PLATING IN MATING AREA	PART NUMBER



THIRD ANGLE PROJECTION



DO NOT SCALE DRAWING
DRAWING IS SUBJECT TO CHANGE WITHOUT NOTICE

DIMENSIONS: INCHES [METRIC]
UNLESS OTHERWISE SPECIFIED TOLERANCES ARE ±.005 [0.13] ANGLES ARE ± 1°

SHEET NO. 1 OF 1

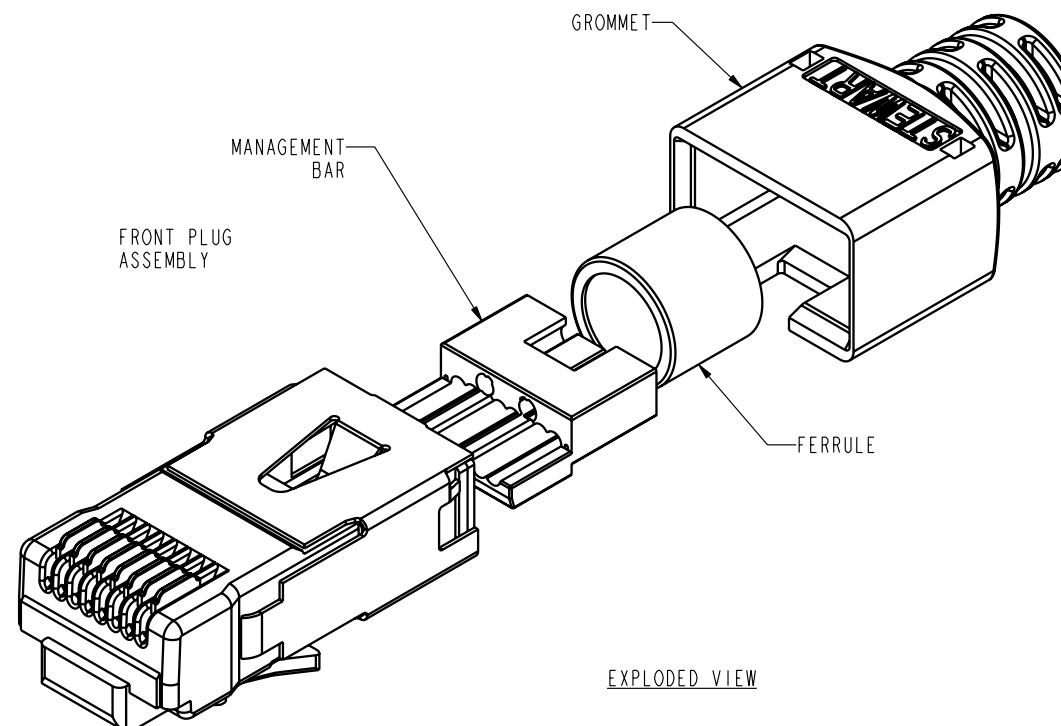
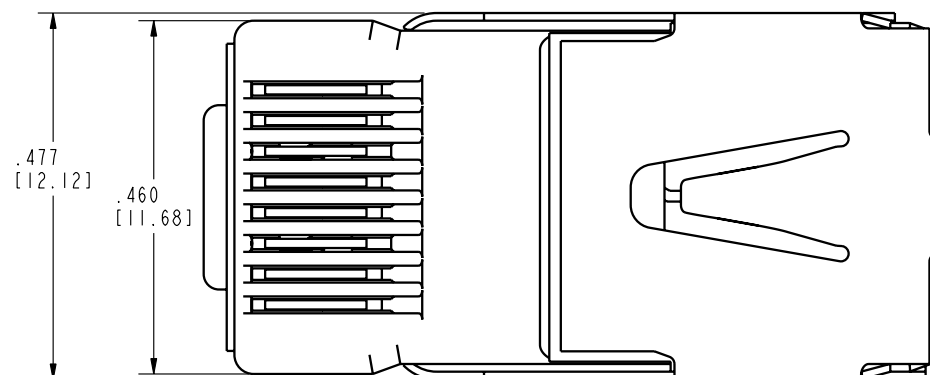
TITLE: 8 POSITION/8 CONDUCTOR STANDARD UNSHIELDED PLUG ASSEMBLY

THIS DRAWING AND THE SUBJECT MATTER SHOWN THEREON ARE CONFIDENTIAL AND THE PROPRIETARY PROPERTY OF BEL STEWART CONNECTOR AND SHALL NOT BE REPRODUCED, COPIED, OR USED IN ANY MANNER WITHOUT PRIOR WRITTEN CONSENT OF BEL STEWART CONNECTOR. THE SUBJECT MATTER MAY BE PATENTED OR A PATENT MAY BE PENDING.

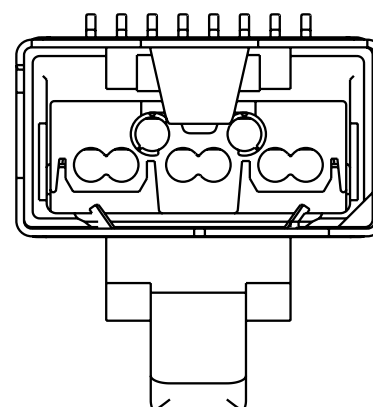
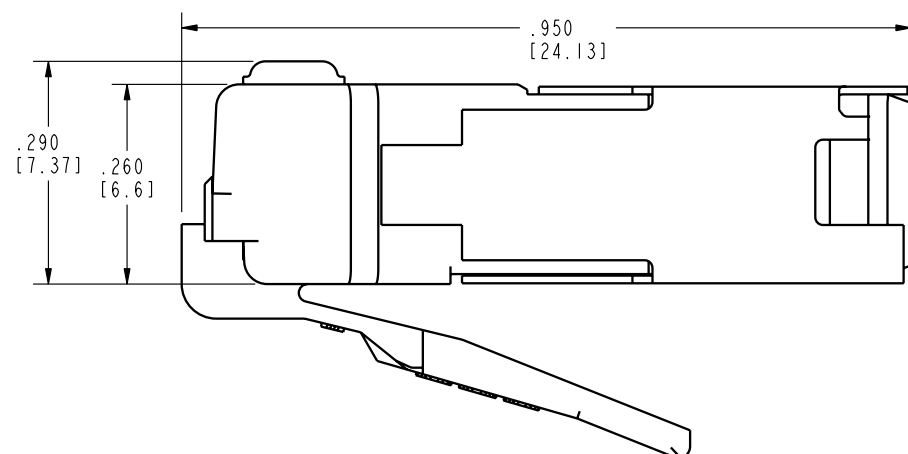
DRN BY: JAF	DATE 1-6-00
APPD BY: RGC	DATE 1-7-00
DWG NO. CT390003	REV. A2



DATE	REV.	ECN	APP'D BY
3-9-05	A0	7062	TRM
1-23-06	A1	7441	JM
12-13-06	A2	7870	TRM



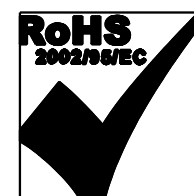
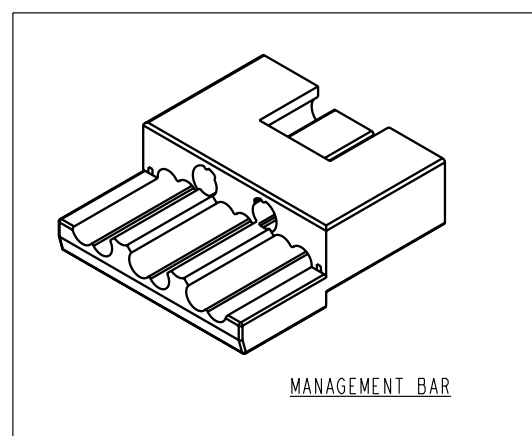
EXPLODED VIEW



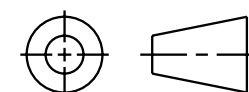
NOTES:

- CONSISTING OF:
 PRE-INSERTED FRONT & SHIELD ASSY. - P/N: 39200-309
 MANAGEMENT BAR P/N: 39200-308
 FERRULE .225 MAX.: F-235-205-L
 .260 DIA. GROMMET: 39200-805
- CONTACT & SHIELD MATERIAL: COPPER ALLOY
- CONTACT PLATING: FCC COMPLIANT
- PLUG HOUSING & GROMMET MATERIAL: UL94-V0
- PLUG TOLERANCES AND DIMENSIONS:
 COMPLY WITH FCC REQUIREMENTS.
 ALL OTHER DIM'S $\pm .005$ [± 0.13]
- DIMENSIONS SHOWN ARE SUBJECT TO CHANGE WITHOUT NOTICE.
- OPERATING TEMPERATURE: -40°C TO 85°C
- INSERTION/EXTRACTION LIFE: 1000 CYCLES, WHEN USING BEL STEWART CONNECTOR JACKS
- CURRENT: 1.5 AMPS MAX
- FOR PRODUCT SPECIFICATION SEE PR026-01.

BULK	50 MICRO-INCHES [1.27um]	SS-39200-006
PACKAGE	CONTACT PLATING IN MATING AREA	PART NUMBER



THIRD ANGLE PROJECTION



DO NOT SCALE DRAWING
 DRAWING IS SUBJECT TO CHANGE WITHOUT NOTICE

DIMENSIONS: INCHES [METRIC]
 UNLESS OTHERWISE SPECIFIED TOLERANCES ARE $\pm .005$ [0.13]
 ANGLES ARE $\pm 1^{\circ}$

SHEET NO. 1 OF 1

TITLE: 8 x 8 CATEGORY 6 SHIELDED PLUG ASSEMBLY WITH MANAGEMENT BAR, FERRULE & GROMMET

THIS DRAWING AND THE SUBJECT MATTER SHOWN THEREON ARE CONFIDENTIAL AND THE PROPRIETARY PROPERTY OF BEL STEWART CONNECTOR AND SHALL NOT BE REPRODUCED, COPIED, OR USED IN ANY MANNER WITHOUT PRIOR WRITTEN CONSENT OF BEL STEWART CONNECTOR. THE SUBJECT MATTER MAY BE PATENTED OR A PATENT MAY BE PENDING.

DRN BY:	JAM	DATE	5-21-01
APPD BY:	TRM	DATE	5-22-01
DWG. NO.	CT390009	REV.	A2