

Pin Grid Array Sockets

E-tec offers any configuration.

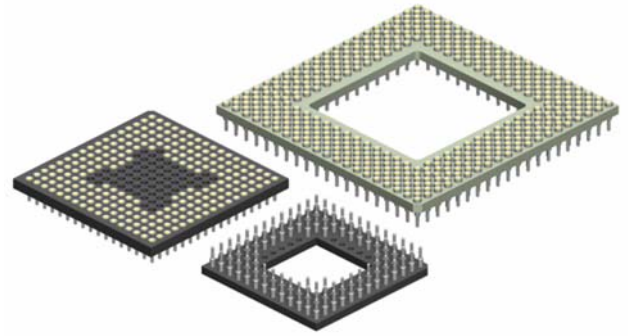
You may choose between open frame and closed frame socket bodies.

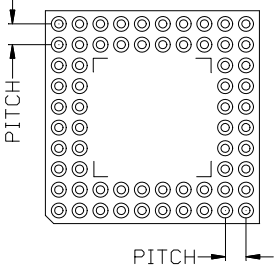
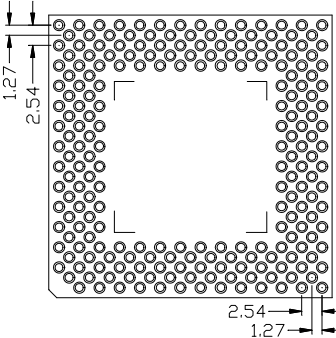
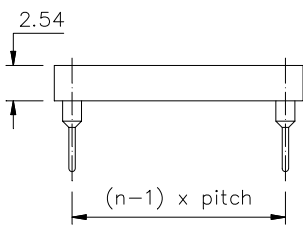
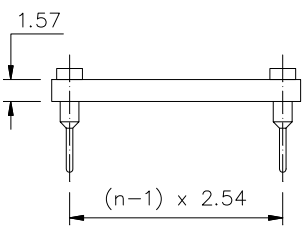
The E-tec PGA sockets with Insulator code "S" will be supplied either in plastic or FR4 Epoxy depending on material availability.

If you wish to receive the sockets in FR4 Epoxy material only, then you need to specify the code "E" in the order code.

If you only accept plastic, then you have to request E-tec for availability first.

All interstitial PGA (PGI) and Mini-Grid sockets (MGS) in any grid size and standard PGA sockets with grid size 19x19 or higher are delivered in FR4 Epoxy only.



Series PGA & MGS Pitch 1,27mm (.050") or 2,54mm (.100") 	Series PGI Interstitial zig-zag pitch 2,54mm/1,27mm (.100"/.050") 	Plastic insulator dimensions 	Epoxy FR4 insulator dimensions For PGI Sockets generally 
--	---	--	--

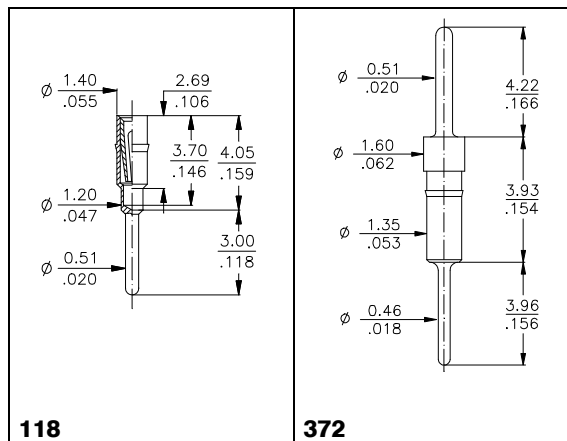
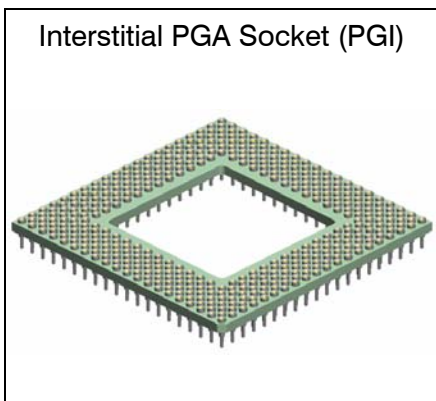
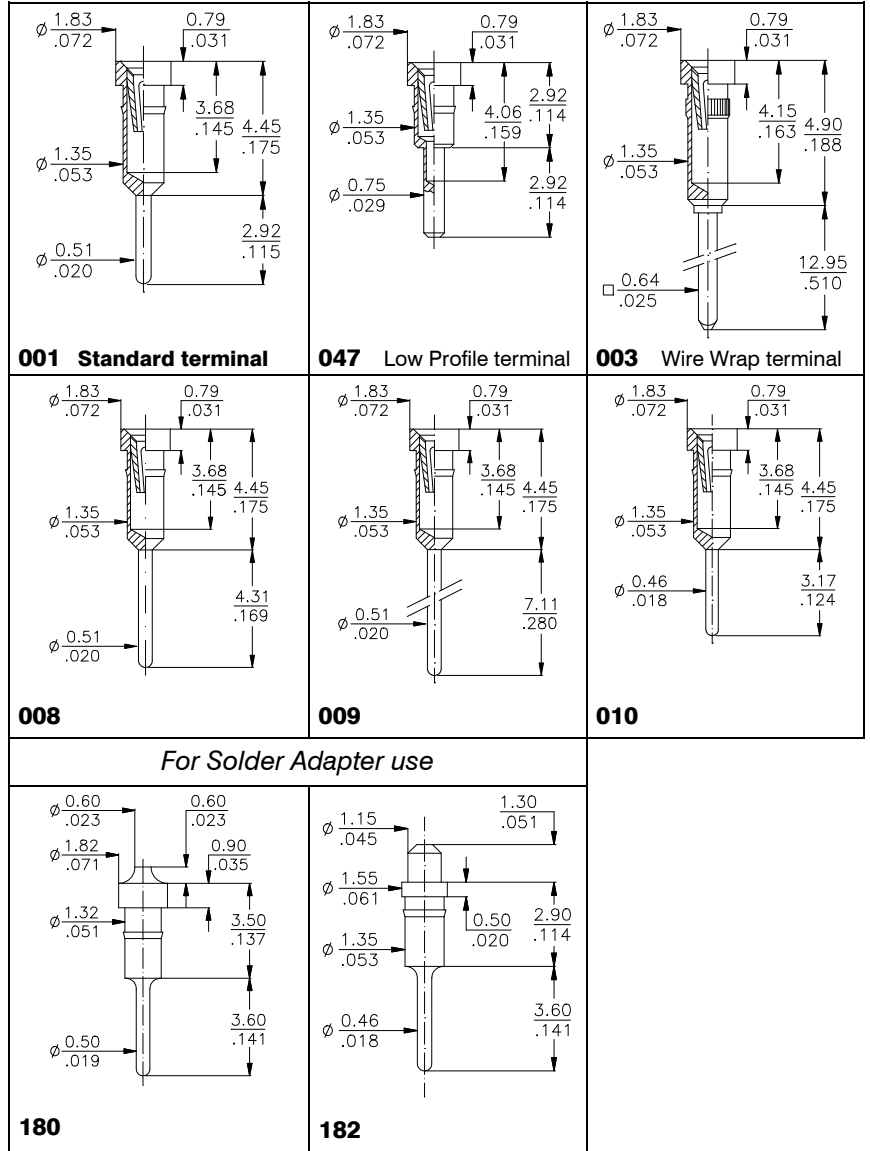
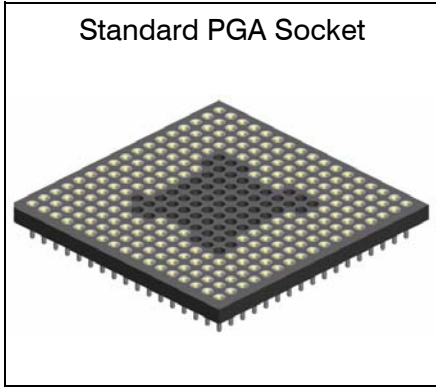
Specifications			
Mechanical data Insertion force (avg) 0,70 N for PGA / 0,40 N for PGI Extraction force (standard) 0,25 N for PGA / 0,15 N for PGI Contact life > 100 cycles Solderability as per IEC 60068-2-58 Contact security: -Vibration as per EN60352-4 -Shock as per EN60352-4		Electrical data Contact resistance at 1A 4,3 mΩ typ. Current rating 1A max., 100V Contact capacitance at 1MHz 2 pF max. Insulation resistance at 500V DC 5 × 10 ⁹ Ω min. Breakdown voltage at 60 Hz 500 V AC Contact resistance ≤7 mΩ	Operating temperature -55° C to +125° C
Material Insulator: "S" version (RoHS compliant) PBT UL 94 V-0 "E" version (RoHS compliant) Epoxy FR4 Terminal (RoHS compliant) CuZn Contact (RoHS compliant) BeCu		More information, for example about testresult please ref. to page 49 or contact E-tec.	

How to order

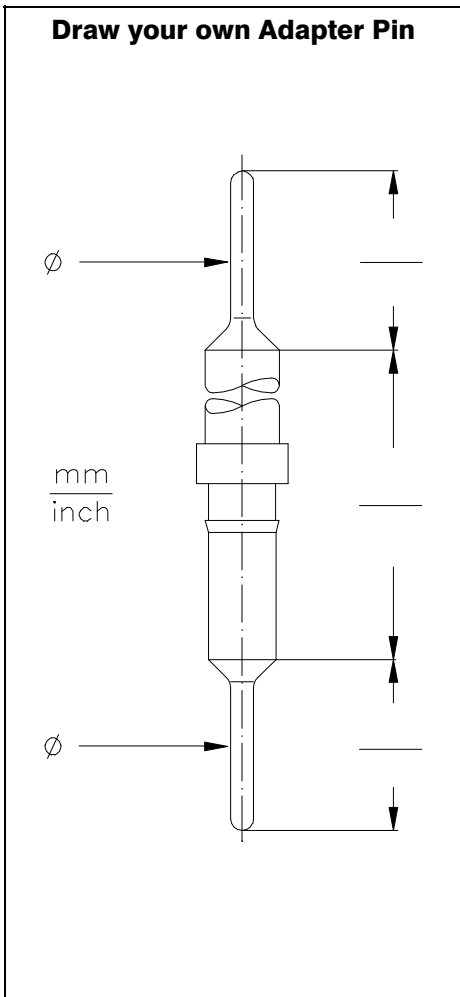
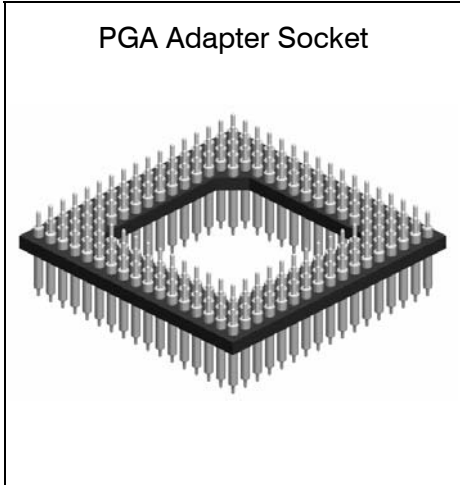
XXX - xxx - X xxx - xx X - xx

Series PGA = Pin Grid Array pitch 2,54mm (.100") PGI = Interstitial PGA pitch 2,54mm / 1,27mm (.100" / .050") MGS = Mini Grid Array pitch 1,27mm (.050") please refer to page 32	Nbr of contacts depends on pincount of chip	Insulator S = Standard for PGA PBT or FR4 Epoxy (Depending on availability) E = Standard for PGI Epoxy FR 4	Terminal styles refer to page 30 & 31	Grid Code : Config Code will be given by the factory after receipt of the chip datasheet Refer also to www.e-tec.com for more information	Plating - 95 = tin/gold (tin leadfree) not available for adapter terminals - 55 = gold/gold - 99 = tin/tin (leadfree)
--	---	---	---	--	---

PGA/PGI - Series Socket Terminal Styles

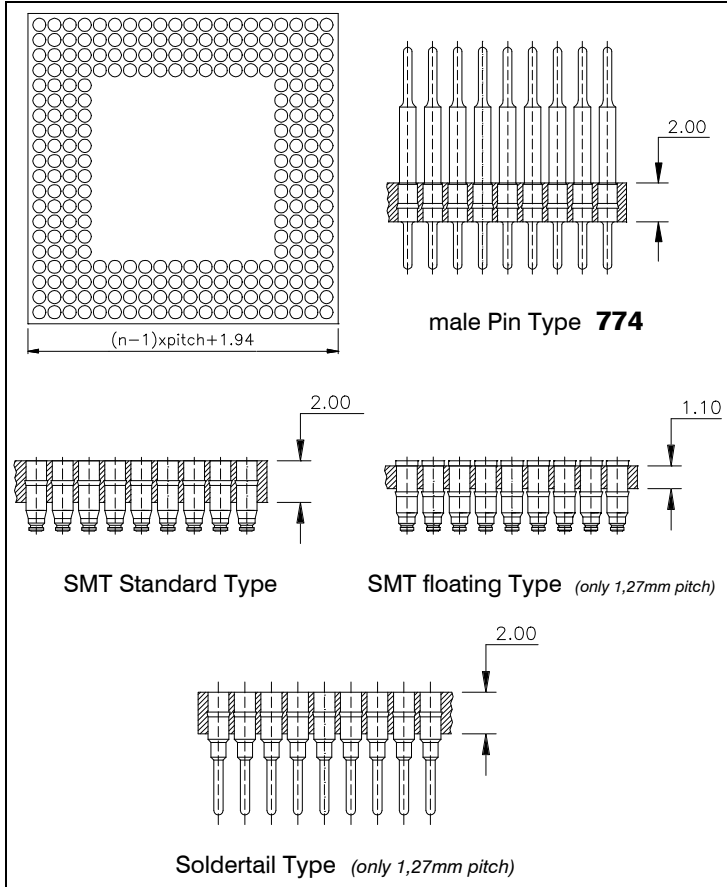
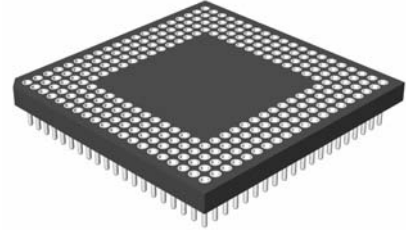


PGA/PGI - Series Adapter Terminal Styles



<p>037</p>	<p>054</p>	<p>056</p>
<p>058</p>	<p>059</p>	<p>077</p>
<p>220</p>	<p>543</p>	<p>544</p>
<p>770</p>	<p>PGI Socket Adapter Pin</p> <p>372 (only for PGI Sockets)</p>	

E-tec offers MiniGrid sockets in any pin-out, configuration and grid size adapted to the chip and customer requirements. Open frame socket bodies are also available on request. Special terminal designs are possible on request also.



Terminal styles			
 SMT Terminal Type 119 if 1,50 & 2,00mm pitch	 SMT „floating” Terminal Type 120 if 1,50 & 2,00mm pitch	 SMT Terminal Type 167 if 1,27 and 1,00mm pitch	 SMT Terminal Type 169 if 0,80mm pitch
 Solder-tail Terminal Type 117 if 1,50 & 2,00mm pitch	 Solder-tail Terminal Type 172 if 1,27 and 1,00mm pitch	 Solder-tail Terminal Type 174 if 0,80mm pitch	 male pin Type 774 if 1,27 ; 1,50 & 2,00mm pitch

Specifications				
Terminal Type	Material	Plating	Socket & Adapter Material	Others
774	CuZn	Au over Ni over Cu	FR 4 glass Epoxy UL 94V-0	Operating Temperature
117, 119, 120, 167 169, 172, 174	Terminal : CuZn Contact clip : BeCu	Sn over Ni over Cu Au over Ni over Cu		-55°C to +125°C ; 260°C for 60 sec.

How to order

MGS xxxx - E xxx - xx X 95 xx

