

# Crimp Contact Connectors

## L - Type Female Plug

|   |   |
|---|---|
| <p><b>single row</b></p> <p>Order Code Housing: <b>CRF-1xx-L100</b>      Contact: <b>CRF-999/35-L100-99</b></p> | <p><b>dual row</b></p> <p>Order Code Housing: <b>CRF-2xx-L100</b>      Contact: <b>CRF-999/35-L100-99</b></p> |
|---|---|

## L - Type Male Header

|  |  |
|--|--|
| <p><b>single row -SMT- straight (top entry)</b></p> <p>Order Code: <b>CRS-1xx-SL100-99/B</b></p>     | <p><b>dual row -SMT- straight (top entry)</b></p> <p>Order Code: <b>CRS-2xx-SL100-95/E</b></p>     |
| <p><b>single row -SMT- right angle (side entry)</b></p> <p>Order Code: <b>CRR-1xx-SL100-99/R</b></p> | <p><b>dual row -SMT- right angle (side entry)</b></p> <p>Order Code: <b>CRR-2xx-SL100-99/R</b></p> |

### Specifications

|                       |             |                      |                   |                    |                 |
|-----------------------|-------------|----------------------|-------------------|--------------------|-----------------|
| Current rating        | 1 A         | Voltage rating       | 50 V AC max.      | Contact material   | Phosphor Bronze |
| Insulation resistance | 100 MΩ min. | Withstanding voltage | 500 V AC          | Insulator material | PA9T UL 94V-0   |
| Contact resistance    | 20 mΩ max.  | Operating temp.      | -25°C to +85°C    | CRR-2xx            | PA6T UL 94-V0   |
|                       |             | SMT Processing temp. | +250°C for 5 sec. | CRF Type           | PA66 UL 94V-0   |

### How to order

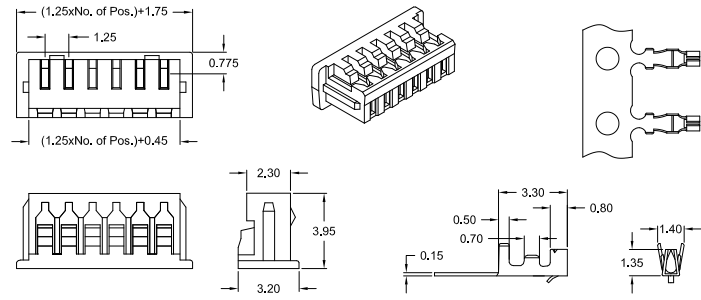
**CR X - x xx - X 100 - 99 / X**

|                          |                          |  |                                |   |                                    |
|--------------------------|--------------------------|--|--------------------------------|---|------------------------------------|
| <b>Type</b>              | <b>Rows</b>              | <b>Nbr of Contacts</b>                                       | <b>Execution</b>               | <b>Plating</b>                            | <b>Packing</b>                     |
| <b>F</b> = Female        | <b>1</b> = single row    | <b>02 to 20</b>  | <b>L</b> = Plug                | <b>99</b> = Tin<br><i>(leadfree)</i>      | <b>R</b> = Reel                    |
| <b>R</b> = R/A Male      | <b>2</b> = dual row      | <b>20, 30, 40 &amp; 50</b>                                   | <b>SL</b> = SMT                | <b>95</b> = Tin/Gold<br><i>(leadfree)</i> | <b>B</b> = Reel with<br>PickUp Cap |
| <b>S</b> = Straight Male | <i>if Crimp Contact:</i> | <i>if Crimp Contact:</i><br><small>(MOQ: 10K / reel)</small> | for details see<br>above dwg's | other platings<br>on request              | <b>E</b> = Reel with<br>PickUp Cap |
|                          | <b>9</b>                 | <b>99/35</b> = AWG 28~32                                     |                                |   |                                    |

# Crimp Contact Connectors

## S - Type Single Row

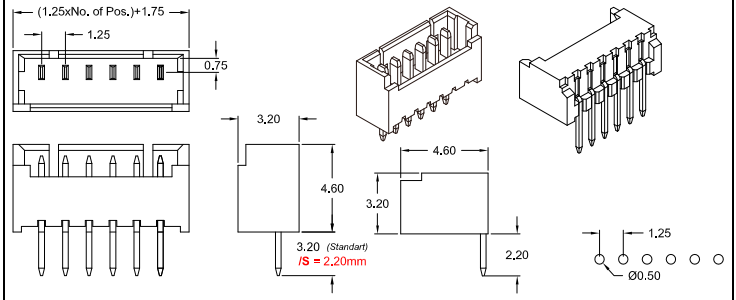
### Female Plug



Order Code Housing: **CRF-1xx-S125**

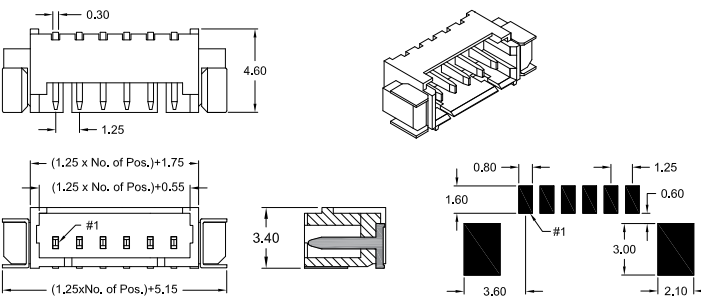
Contact: **CRF-999/35-S125-99**

### -THT- Male Header straight (top entry) & right angle (side entry)



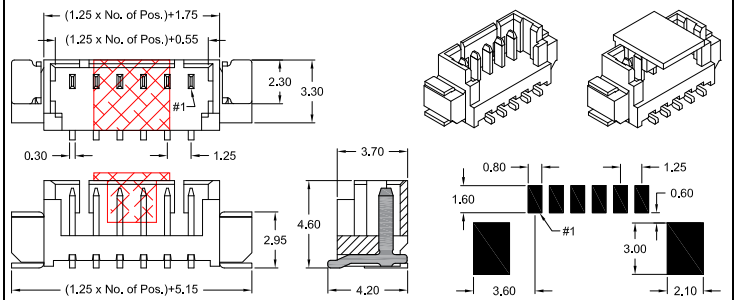
Order Code straight: **CRS-1xx-S125-99/S** right angle: **CRR-1xx-S125-99**

### -SMT- Male Header right angle (side entry)



Order Code: **CRR-1xx-SS125-99/R**

### -SMT- Male Header straight (top entry)

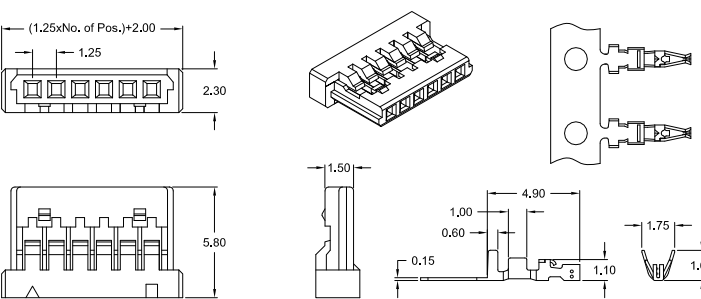


Order Code: **CRS-1xx-SS125-99/R**

**CRS-1xx-SS125-99/B**

## D - Type Single Row

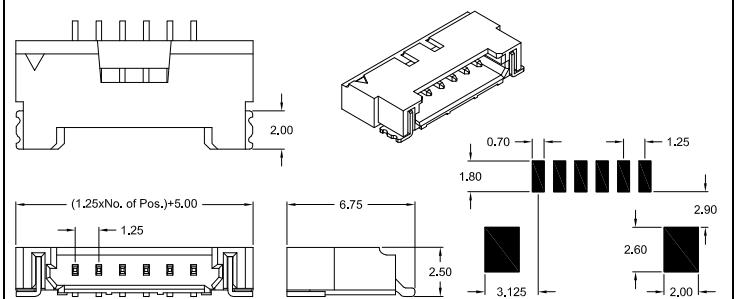
### Female Plug



Order Code Housing: **CRF-1xx-D125**

Contact: **CRF-999/35-D125-95**

### -SMT- Male Header right angle (side entry)



Order Code: **CRR-1xx-SD125-99/R**

### Specifications

|                       |             |                       |                   |                    |               |
|-----------------------|-------------|-----------------------|-------------------|--------------------|---------------|
| Current rating        | 1 A         | Withstanding voltage  | 250 V AC          | Contact material   | Copper Alloy  |
| Insulation resistance | 100 MΩ min. | Operating temperature | -40°C to +85°C    | Insulator material | PA6T UL 94V-0 |
| Contact resistance    | 20 mΩ max.  | D125 Type             | -25°C to +85°C    | CRF Type           | PA66 UL 94V-0 |
| Voltage rating        | 125 V AC    | SMT Processing temp.  | +250°C for 5 sec. | SD125 Type         | PA9T UL 94V-0 |
|                       |             |                       |                   | PCB thickness      | 1.60 mm       |

### How to order

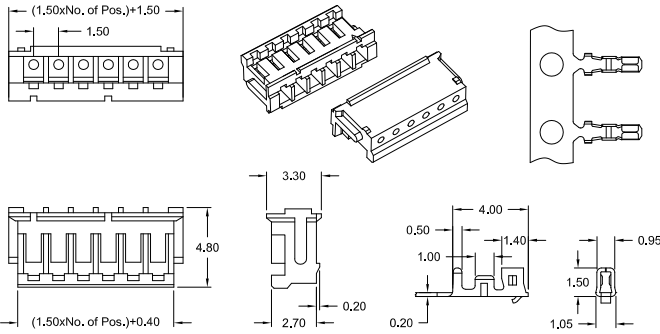
**CR X - x xx - X 125 - 99 / X**

| Type   | Rows  | Nbr of Contacts  | Execution   | Plating   | Packing   |
|--|---|--|---|---|---|
| <b>F</b> = Female<br><b>R</b> = R/A Male<br><b>S</b> = Straight Male | <b>1</b> = single row<br><br><i>if Crimp Contact:</i><br><b>9</b> | <b>02 - 15</b> = S & SS - Type<br><b>02 - 30</b> = D & SD - Type<br><br><i>if Crimp Contact: (MOQ: 10K/reel)</i><br><b>99/35</b> = AWG 28~32 | <b>S</b> = Plug<br><b>SS</b> = SMT<br><b>D</b> = Plug<br><b>SD</b> = SMT<br><br>for details see above dwg's | <b>99</b> = Tin<br><b>95</b> = Tin/Gold (tin leadfree)<br><br>other platings on request | <b>R</b> = Reel w/o PickUp Cap<br><b>B</b> = Reel with PickUp Cap |

# Crimp Contact Connectors

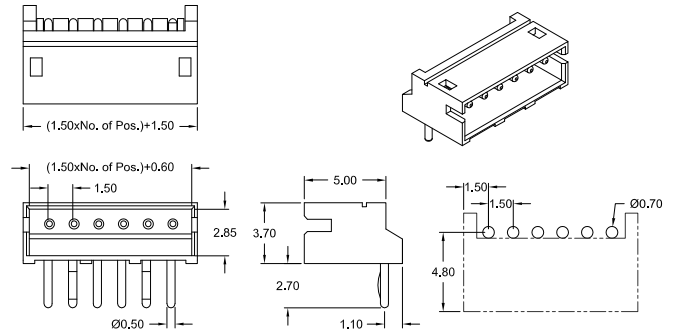
## K - Type Single Row

### Female Plug



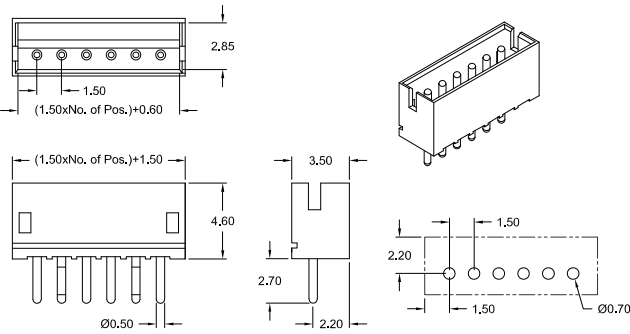
Order Code Housing: **CRF-1xx-K150** Contact: **CRF-999/35-K150-99**

### -THT- Male Header right angle (side entry)



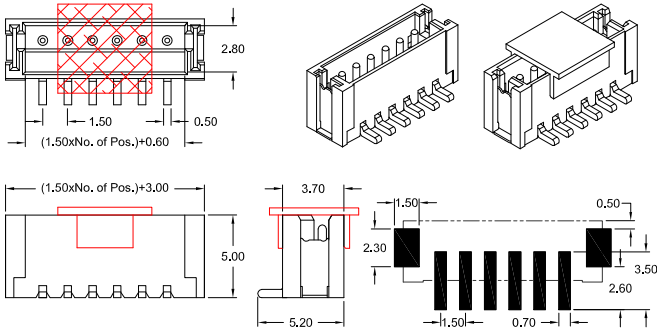
Order Code: **CRR-1xx-K150-99**

### -THT- Male Header straight (top entry)



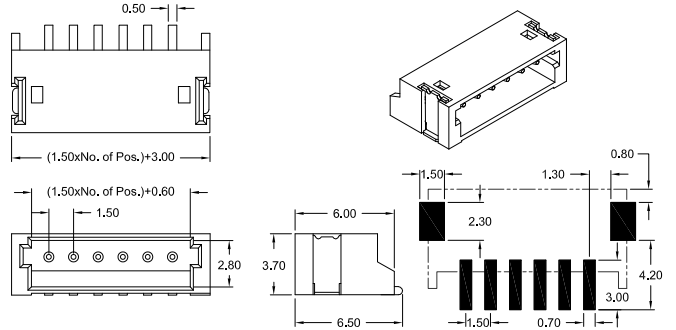
Order Code: **CRS-1xx-K150-99**

### -SMT- Male Header right angle (side entry)



Order Code: **CRS-1xx-SK150-99/B**

### -SMT- Male Header right angle (side entry)



Order Code: **CRR-1xx-SK150-99/R**

### Specifications

|                       |             |                       |                   |                          |               |
|-----------------------|-------------|-----------------------|-------------------|--------------------------|---------------|
| Current rating        | 1 A         | Voltage rating        | 50 V AC max.      | Contact material         | Brass         |
| Insulation resistance | 500 MΩ min. | Withstanding voltage  | 500 V AC          | Insulator material K150  | PA66 UL 94V-0 |
| Contact resistance    | 20 mΩ max.  | Operating temperature | -25°C to +85°C    | Insulator material SK150 | PA9T UL 94V-0 |
|                       |             | SMT Processing temp.  | +250°C for 5 sec. | PCB thickness            | 1.60 mm       |

### How to order

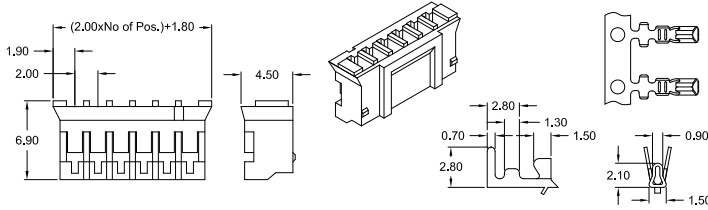
**CR X - x xx - X 150 - 99 / X**

| Type   | Rows  | Nbr of Contacts   | Execution   | Plating   | Packing  |
|--|---|---|---|---|--|
| <b>F</b> = Female<br><b>R</b> = R/A Male<br><b>S</b> = Straight Male | <b>1</b> = single row<br><br><i>if Crimp Contact:</i><br><b>9</b> | <b>02</b> to <b>13</b><br><br><i>if Crimp Contact:</i><br>(MOQ: 10K / reel)<br><b>99/35</b> = AWG 28~32 | <b>K</b> = THT & Plug<br><br><b>SK</b> = SMT<br><br>for details see above dwg's | <b>99</b> = Tin (leadfree)<br><br>other platings on request | <b>R</b> = Reel<br><br><b>B</b> = Reel with PickUp Cap |

# Crimp Contact Connectors

## O - Type Single Row

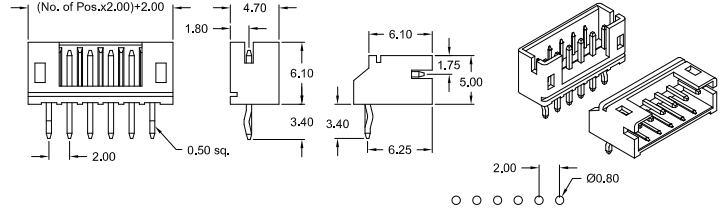
### Female Plug



Order Code Housing: CRF-1xx-O200

Contact: CRF-999/30-O200-99

### -THT- Male Header straight (top entry) & right angle (side entry)

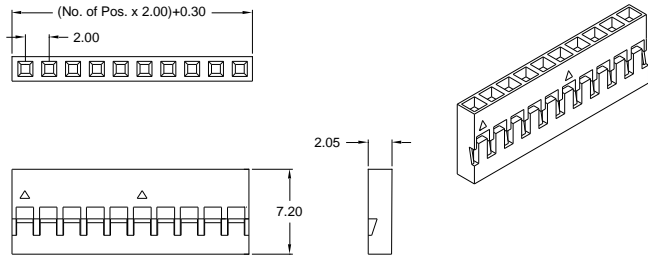


Order Code straight: CRS-1xx-O200-99

right angle: CRR-1xx-O200-99

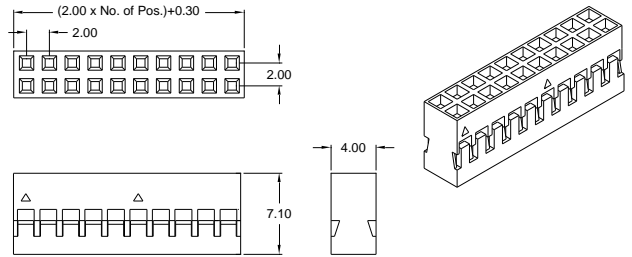
## H - Type Wire to Board Plugs mating with 2.00mm pitch Pin-Header

### single row



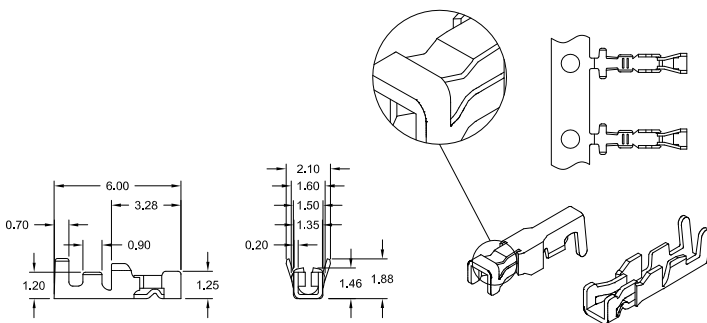
Order Code Housing: CRF-1xx-H200

### dual row



Order Code Housing: CRF-2xx-H200

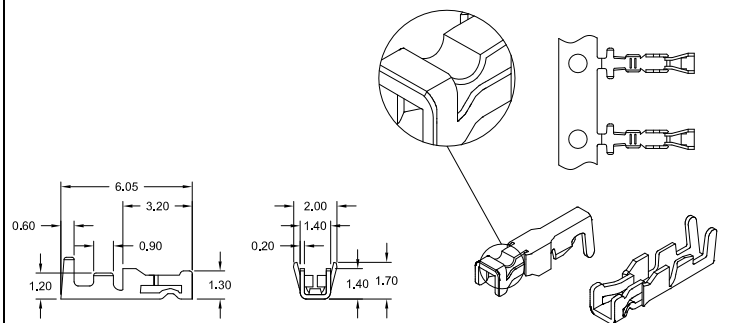
## Female Contact



for single row 02 ~ 19 & dual row 04 ~ 18 position

Order Code: CRF-999L/32-H200-55

MOQ 10K / reel



for single row 20 ~ 40 & dual row 20 ~ 80 position

Order Code: CRF-999/32-H200-55

MOQ 10K / reel

## Specifications

|                       |              |                       |                |                    |               |
|-----------------------|--------------|-----------------------|----------------|--------------------|---------------|
| Current rating        | 2 A          | Voltage rating        | 100 V AC max.  | Contact material   | Copper Alloy  |
| Insulation resistance | 1000 MΩ min. | Withstanding voltage  | 800 V AC       | Insulator material | PA66 UL 94V-0 |
| Contact resistance    | 20 mΩ max.   | Operating temperature | -25°C to +85°C | H-Type             | PA66 UL 94V-2 |
|                       |              |                       |                | PCB thickness      | 1.60 mm       |

## How to order

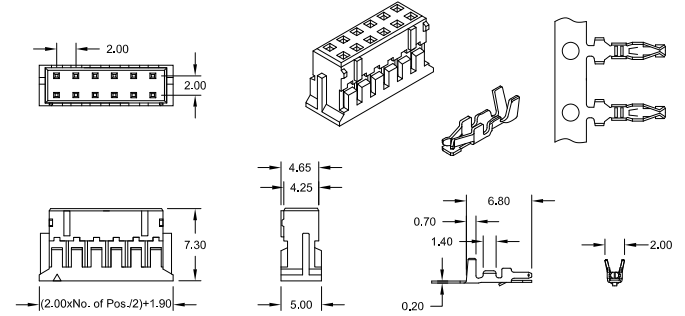
CR X - x xx - X 200 - 99

| Type                     | Rows                                 | Nbr of Contacts  | Execution                      | Plating                              |
|--------------------------|--------------------------------------|--|--------------------------------|--------------------------------------|
| <b>F</b> = Female        | <b>1</b> = single row                | <b>02 - 16</b> = O - Type  | <b>O</b> = THT & Plug          | <b>99</b> = Tin<br><i>(leadfree)</i> |
| <b>R</b> = R/A Male      | <b>2</b> = dual row                  | <b>02 - 40</b> = H - Type - 1 row  | <b>H</b> = Plug                | <b>55</b> = Gold                     |
| <b>S</b> = Straight Male | <i>if Crimp Contact:</i><br><b>9</b> | <i>if Crimp Contact for O-Type:</i><br><b>99/30</b> = for AWG 24~30                                  | for details see<br>above dwg's | other platings<br>on request         |
|                          |                                      | <i>if Crimp Contact for H-Type:</i><br><b>99L/32</b> = for AWG 26~30<br><b>99/32</b> = for AWG 26~30 |                                |                                      |

# Crimp Contact Connectors

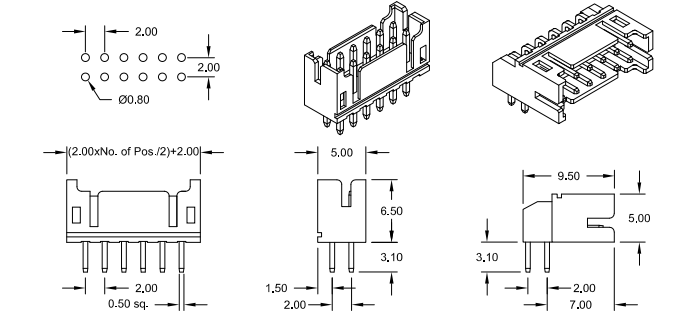
## D - Type Dual Row

### Female Plug



Order Code Housing: **CRF-2xx-D200** Contact: **CRF-999/27-DP200-99**

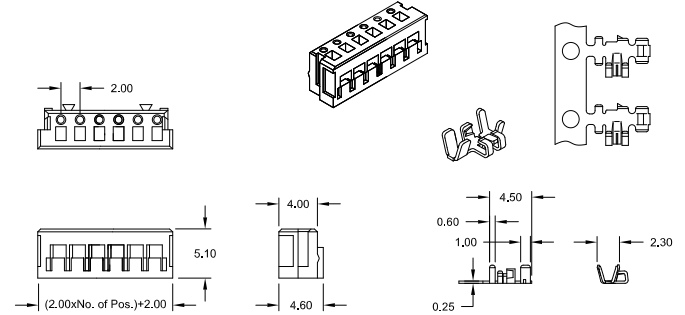
### -THT- Male Header straight (top entry) & right angle (side entry)



Order Code straight: **CRS-2xx-D200-99** right angle: **CRR-2xx-D200-99**

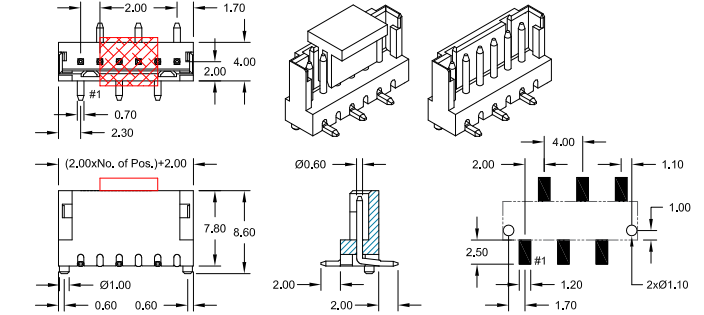
## C - Type Single Row

### Female Plug



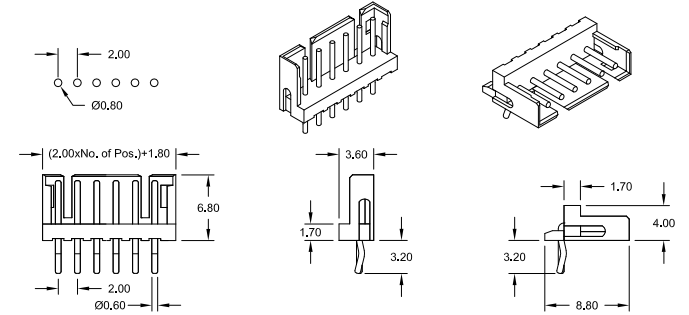
Order Code housing: **CRF-1xx-C200** contact: **CRF-999/29-C200-99**

### -SMT- Male Header straight (top entry)



Order Code straight: **CRS-1xx-SC200-99/X**

### -THT- Male Header straight (top entry) & right angle (side entry)



Order Code straight: **CRS-1xx-C200-99** right angle: **CRR-1xx-C200-99**

### Specifications

|                       |               |                       |                   |                    |                         |
|-----------------------|---------------|-----------------------|-------------------|--------------------|-------------------------|
| Current rating        | 2 A           | Withstanding voltage  | 800 V AC          | Contact material   | Brass; <b>DP</b> = PhBz |
| Insulation resistance | 1000 MΩ min.  | Operating temperature | -25°C to +85°C    | Insulator material | PA66 UL 94V-0           |
| Contact resistance    | 20 mΩ max.    | SC200 Type            | -25°C to +105°C   | SC200 Type         | PA9T UL 94V-0           |
| Voltage rating        | 100 V AC max. | SMT Processing temp.  | +250°C for 5 sec. | PCB thickness      | 1.60 mm                 |

### How to order

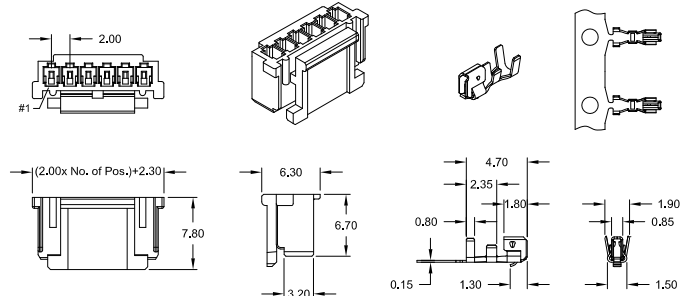
**CR X - x xx - X 200 - 99 / X**

| Type   | Rows   | Nbr of Contacts  | Execution   | Plating  | Packing  |
|--|--|--|---|--|--|
| <b>F</b> = Female<br><b>R</b> = R/A Male<br><b>S</b> = Straight Male | <b>1</b> = single row<br><b>2</b> = dual row<br><br><i>if Crimp Contact:</i><br><b>9</b> | <b>04 - 40</b> = D - Type<br><b>02 - 16</b> = C - Type<br><b>03 - 06</b> = SC - Type<br><br><i>if Crimp Contact: (MOQ: 10K / reel)</i><br><b>99/27</b> = AWG 22~28<br><b>99/29</b> = AWG 24~28 | <b>D</b> = THT & Plug<br><b>DP</b> <i>see Contact Material</i><br><b>C</b> = THT & Plug<br><b>SC</b> = SMT<br>for details see above dwg's | <b>99</b> = Tin ( <i>leadfree</i> )<br><br>other platings on request | <b>A</b> = Tube with Pickup Cap<br><br><b>B</b> = Reel with Pickup Cap |

# Crimp Contact Connectors

## K - Type Single Row

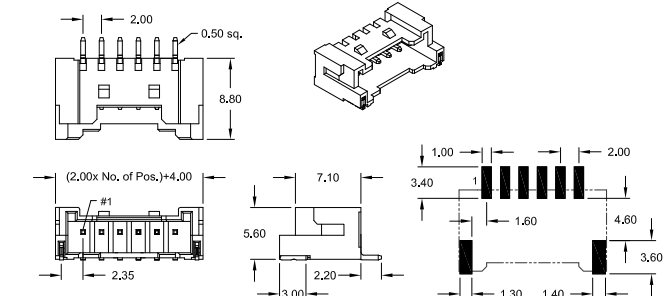
female plug



Order Code housing: CRF-1xx-K200

contact: CRF-999/30-K200-99

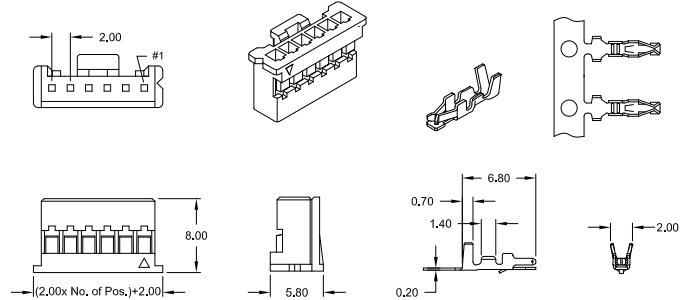
-SMT- male header right angle (side entry)



Order Code right angle: CRR-1xx-SK200-xx/X

## P - Type Single Row

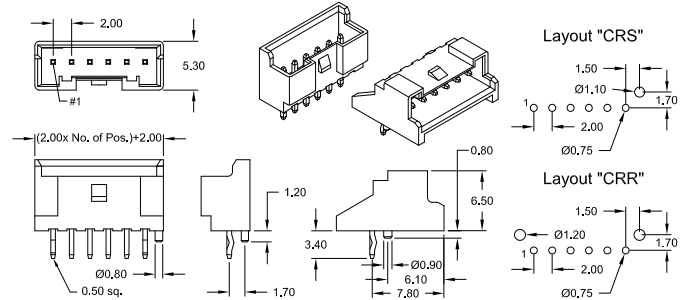
female plug



Order Code housing: CRF-1xx-P200

contact: CRF-999/27-DP200-xx

-THT- male header straight (top entry) & right angle (side entry)

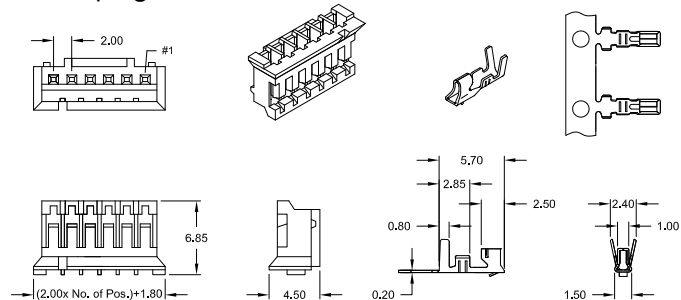


Order Code straight: CRS-1xx-P200-99/P

right angle: CRR-1xx-P200-xx/P

## SH - Type Single Row

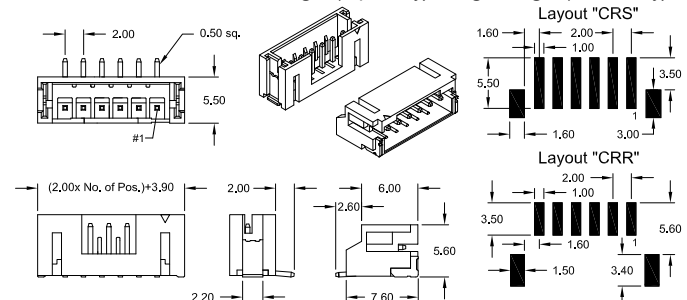
female plug



Order Code housing: CRF-1xx-SH200

contact: CRF-999/30-SH200-99

-SMT- male header straight (top entry) & right angle (side entry)



Order Code straight: CRS-1xx-SH200-99/X

right angle: CRR-1xx-SH200-99/X

### Specification

|                       |               |                       |                   |                    |                |
|-----------------------|---------------|-----------------------|-------------------|--------------------|----------------|
| Current rating        | 2 A           | Operating temperature | -25°C to +85°C    | Contact material   | Copper Alloy   |
| Insulation resistance | 1000 MΩ min.  | if PA6T               | -40°C to +105°C   | Insulator material | all UL 94 V-0  |
| Contact resistance    | 20 mΩ max.    | SMT Processing temp.  | +250°C for 5 sec. | CRF-P; K & SH      | PA66           |
| Voltage rating        | 250 V AC max. |                       |                   | CRS- & CRR-P       | PBT            |
| Withstanding voltage  | 800 V AC      |                       |                   | CRS-SH; CRR-SH     | PA6T SK = PA9T |

### How to order

CR X - x xx - X 200 - xx /X

| Type   | Rows  | Nbr of contacts  | Execution  | Plating   | Packing  |
|--|---|--|--|---|--|
| <b>F</b> = Female<br><b>R</b> = R/A male<br><b>S</b> = Straight male | <b>1</b> = single row<br><br><i>if Crimp Contact:</i><br><b>9</b> | <b>04 - 20</b> = K - Type<br><b>02 - 15</b> = P - Type<br><b>02 - 16</b> = SH - Type<br><br><i>if Crimp Contact: (MOQ: 10K / reel)</i><br><b>99/27</b> = AWG 22~28<br><b>99/30</b> = AWG 24~30 | <b>K</b><br><b>P</b><br><b>SH</b><br><b>SK</b><br><b>DP</b><br><br>for details see above dwg's | <b>99</b> = Tin<br><i>(leadfree)</i><br><b>55</b> = Gold<br><br>other platings on request | <i>only if SMT Type</i><br><b>/B</b> = Reel with Pickup Cap<br><b>/R</b> = Reel w/o Pickup Cap |

# Crimp Contact Connectors

## S - Type Single Row

|  |   |
|--|---|
| <p><b>Female Plug</b></p> <p>Order Code Housing: <b>CRF-1xx-S250</b>      Contact: <b>CRF-999/27-S250-99</b></p> | <p><b>-THT- Male Header</b> straight (top entry) &amp; right angle (side entry)</p> <p>Order Code straight: <b>CRS-1xx-S250-99</b>      right angle: <b>CRR-1xx-S250-99</b></p> |
|--|---|

## I - Type Single Row

|  |   |
|--|---|
| <p><b>Female Plug</b></p> <p>Order Code Housing: <b>CRF-1xx-I250</b>      contact: <b>CRF-999/27-I250-99</b></p> | <p><b>-THT- Male Header</b> straight (top entry) &amp; right angle (side entry)</p> <p>Order Code straight: <b>CRS-1xx-I250-99</b>      right angle: <b>CRR-1xx-I250-99</b></p> |
|--|---|

## R - Type Single Row

|  |   |
|--|---|
| <p><b>Female plug</b></p> <p>Order Code Housing: <b>CRF-1xx-R250</b>      Contact: <b>CRF-999/28-R250-99</b></p> | <p><b>-THT- Male Header</b> straight (top entry) &amp; right angle (side entry)</p> <p>Order Code straight: <b>CRS-1xx-R250-99</b>      right angle: <b>CRR-1xx-R250-99</b></p> |
|--|---|

### Specifications

|                       |              |                       |                |                    |               |
|-----------------------|--------------|-----------------------|----------------|--------------------|---------------|
| Current rating        | 3 A          | Voltage rating        | 250 V AC max.  | Contact material   | Copper Alloy  |
| Insulation resistance | 1000 MΩ min. | Withstanding voltage  | 1000 V AC      | Insulator material | PA66 UL 94V-0 |
| Contact resistance    | 20 mΩ max.   | Operating temperature | -25°C to +85°C | PCB thickness      | 1.60 mm       |

### How to order

**CR X - x xx - X 250 - 99**

|  |   |  |   |  |
|--|---|--|---|--|
| <p><b>Type</b></p> <p><b>F</b> = Female</p> <p><b>R</b> = R/A male</p> <p><b>S</b> = Straight male</p> | <p><b>Rows</b></p> <p><b>1</b> = single row</p> <p><i>if Crimp Contact:</i></p> <p><b>9</b></p> | <p><b>Nbr of Contacts</b></p> <p><b>02 - 20</b> = S - Type</p> <p><b>02 - 15</b> = I &amp; R - Type</p> <p><i>if Crimp Contact:</i> (MOQ: 10K / reel)</p> <p><i>for S- &amp; I-Type:</i></p> <p><b>99/27</b> = for AWG 22~28</p> <p><i>for R-Type:</i></p> <p><b>99/28</b> = for AWG 22~30</p> | <p><b>Execution</b></p> <p><b>S</b> = THT &amp; Plug</p> <p><b>I</b> = THT &amp; Plug</p> <p><b>R</b> = THT &amp; Plug</p> <p>for details see above dwg's</p> | <p><b>Plating</b></p> <p><b>99</b> = Tin (leadfree)</p> <p>other platings on request</p> |
|--|---|--|---|--|

# Crimp Contact Connectors

### UT - Type Single Row

#### Female Plug

Order Code Housing: **CRF-1xx-UT254**    Contact: **CRF-999/27-UT254-99**

#### -THT- Male Header

straight & right angle

Order Code straight: **CRS-1xx-UT254-99**    right angle: **CRR-1xx-UT254-99**

### P - Type "Friction Lock" Single Row

#### Female Plug

Order Code Housing: **CRF-1xx-P254**    Contact: **CRF-999/27-P254-99**

#### -THT- Male Header

straight & right angle

Order Code straight: **CRS-1xx-P254-99**    right angle: **CRR-1xx-P254-99**

#### -SMT- Male Header

straight

Order Code: **CRS-1xx-SP254-99/A (Tube)**    **CRS-1xx-SP254-99/B (Reel)**

### Specifications

|                       |              |                       |                        |
|-----------------------|--------------|-----------------------|------------------------|
| Current rating        | 3 A          | Voltage rating        | 250 V AC max.          |
| Insulation resistance | 1000 MΩ min. | Withstanding voltage  | 1500 V AC              |
| Contact resistance    | 20 mΩ max.   | Operating temperature | -25°C to +85°C         |
|                       |              | SMT Processing temp.  | +250°C for 5 sec.      |
|                       |              | Contact material      | Copper Alloy           |
|                       |              | Insulator material    | PA 66 (brown) UL 94V-0 |
|                       |              | CRF-UT Type           | PBT (brown) UL 94V-0   |
|                       |              | CRS(R)-UT Type        | PA 66 (black) UL 94V-0 |
|                       |              | SP Type               | PA 46 (white) UL 94V-0 |

### How to order

## CR X - x xx - X 254 - 99

#### Type

**F** = Female  
**R** = R/A Male  
**S** = Straight Male

#### Rows

**1** = single row

*if Crimp Contact:*  
**9**

#### Nbr of Contacts

**02 - 20** = UT & P - Type  
**02 - 12** = SP - Type

*if Crimp Contact:*  
**99/27** = MOQ: 10K / reel for AWG 22~28

#### Execution

**UT** = Plug & THT  
**P** = Plug & THT  
**SP** = SMT

for details see above dwg's

#### Plating

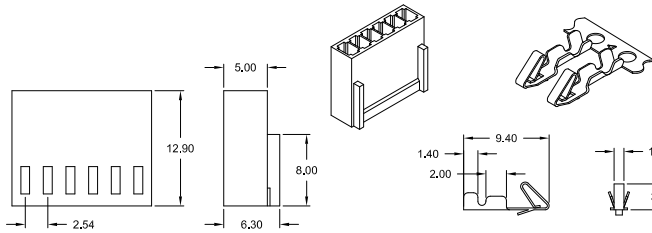
**99** = Tin  
*(leadfree)*

other platings on request

# Crimp Contact Connectors

## F - Type Single Row

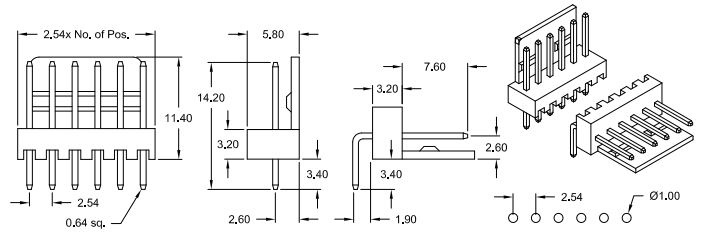
### Female Plug



Order Code Housing: CRF-1xx-F254

Contact: CRF-999/28-F254-99

### -THT- Male Header straight & right angle

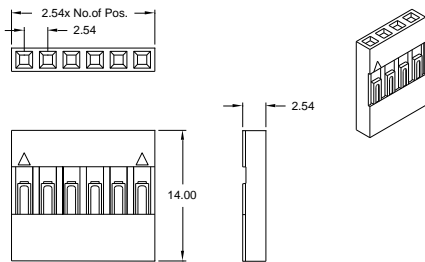


Order Code straight: CRS-1xx-F254-99

right angle: CRR-1xx-F254-99

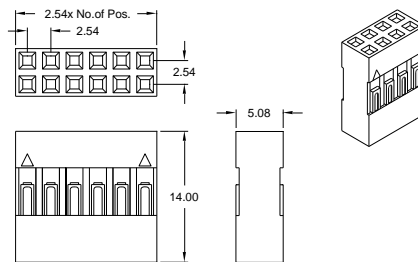
## H - Type Wire to Board Plugs mating with 2.54mm pitch Pin- / Box-Header

### single row - without bump -



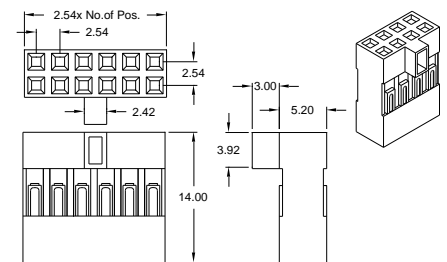
Order Code Housing: CRF-1xx-H254

### dual row - without bump -



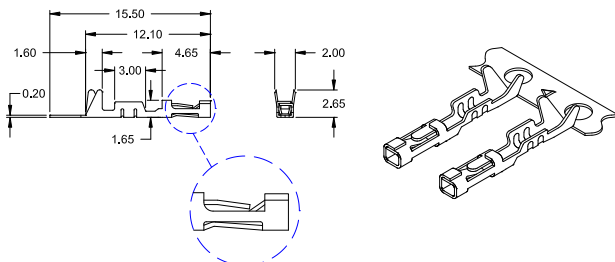
Order Code Housing: CRF-2xx-H254

### dual row - with high bump -



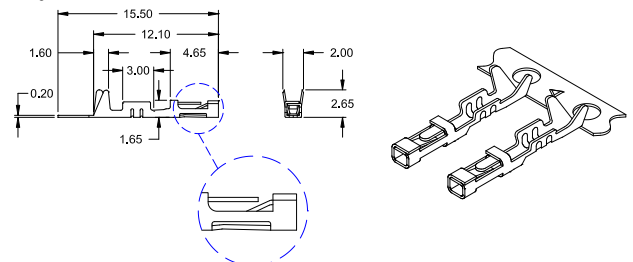
Order Code Housing: CRF-2xx-H254/HP

## Female Contact



for single row 01 ~ 19 & dual row 06 ~ 18 position

Order Code: CRF-999L/27-H254-95



for single row 20 ~ 40 & dual row 20 ~ 80 position

Order Code: CRF-999/27-H254-95

## Specifications

|                       |              |
|-----------------------|--------------|
| Current rating        | 3 A          |
| Insulation resistance | 1000 MΩ min. |
| Contact resistance    | 20 mΩ max.   |

|                      |                |
|----------------------|----------------|
| Withstanding voltage | 800 V AC       |
| Voltage rating       | 250 V AC/DC    |
| Operating temp.      | -25°C to +85°C |
| Contact material     | Copper Alloy   |

|                            |                      |
|----------------------------|----------------------|
| Insulator material         | F-Type PA66 UL 94V-2 |
| H Type 1-row: 01 - 40 Pos. | NORYL UL 94V-1       |
| H Type 2-row: 06 - 80 Pos. | NORYL UL 94V-1       |

## How to order

CR X - x xx - X 254 - xx

| Type                     |
|--------------------------|
| <b>F</b> = Female        |
| <b>R</b> = R/A Male      |
| <b>S</b> = Straight Male |

| Rows                     |
|--------------------------|
| <b>1</b> = single row    |
| <b>2</b> = dual row      |
| <i>if Crimp Contact:</i> |
| <b>9</b>                 |

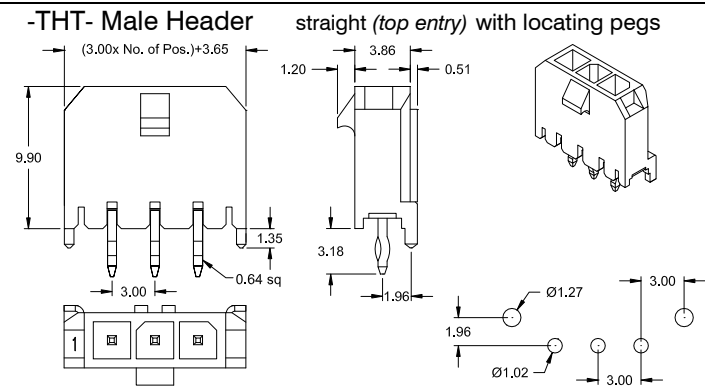
| Nbr of Contacts   |
|---|
| <b>02 - 20</b> = F - Type<br><i>(except 19)</i>             |
| <b>01 - 40</b> = H - Type - 1 row                           |
| <b>04 - 80</b> = H - Type - 2 row<br><i>if without bump</i> |
| <b>06 - 80</b> = H - Type - 2 row<br><i>if with bump</i>    |
| <i>if Crimp Contact: (MOQ: 10K / reel)</i>                  |
| <i>for F - Type:</i>  |
| <b>99/28</b> = for AWG 22~30                                |
| <i>for H - Type:</i>  |
| <b>99X/27</b> = for AWG 22~28                               |

| Execution                      |
|--------------------------------|
| <b>F</b> = THT & Plug          |
| <b>H</b> = Plug                |
| <br>                           |
| for details see above drawings |

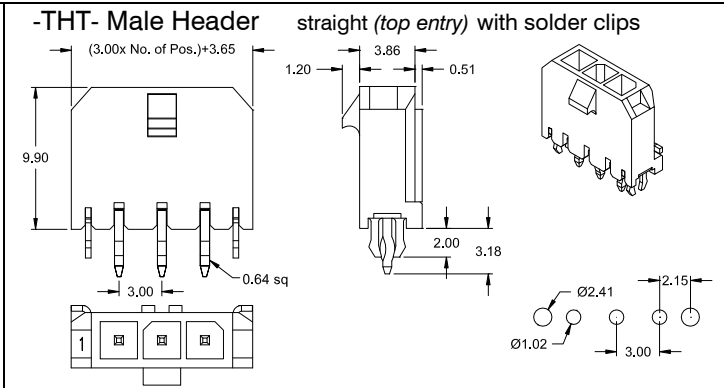
| Plating              |
|----------------------|
| <b>99</b> = Tin      |
| <b>95</b> = Tin/Gold |

Crimp Contact "Power Connectors"

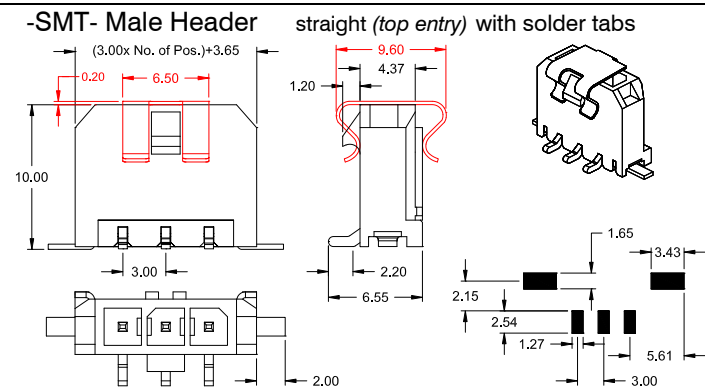
**W - Type** Single Row fully shrouded with polarity protection



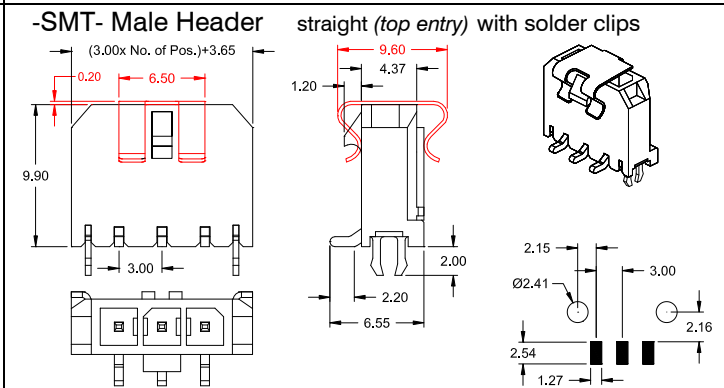
Order Code: **PCS-1xx-W300-99**



Order Code: **PCS-1xx-WC300-99**

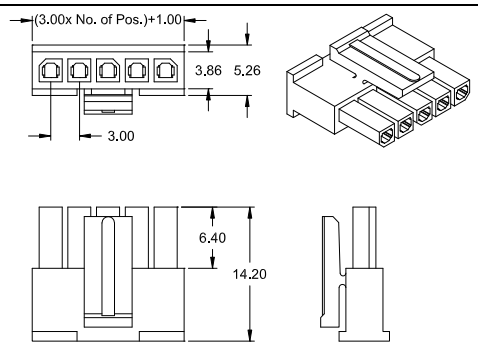


Order Code: **PCS-1xx-SW300-99/B**

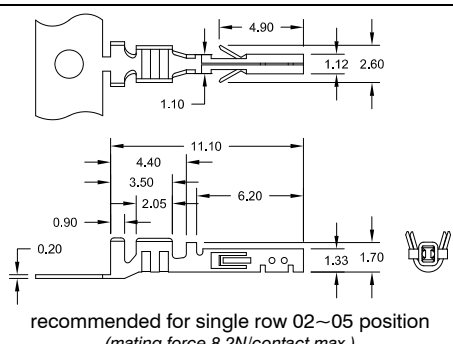


Order Code: **PCS-1xx-SC300-99/XX** (/B = Standard /LB = Option)

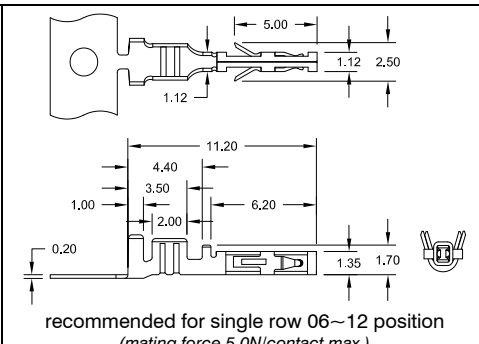
**W - Type** Female Plug Single Row -Clip lock Type- with polarity protection



Order Code Housing: **PCF-1xx-W300**



Order Code Contact: **PCF-999/xx-W300-99**



Order Code Contact: **PCF-999/xxL-W300-99**

**Specifications**

|                       |               |                      |                   |                    |               |
|-----------------------|---------------|----------------------|-------------------|--------------------|---------------|
| Current rating        | 5 A if AWG 20 | Withstanding voltage | 1500 V AC         | Contact material   | Copper Alloy  |
| Insulation resistance | 1000 MΩ min.  | Operating temp.      | -40°C to +105°C   | Insulator material | LCP UL 94V-0  |
| Contact resistance    | 10 mΩ max.    | SMT Processing temp. | +250°C for 5 sec. | PCF Plug           | PA66 UL 94V-0 |
| Voltage rating        | 250 V AC max. | PCB thickness        |                   |                    | 1.60 mm       |

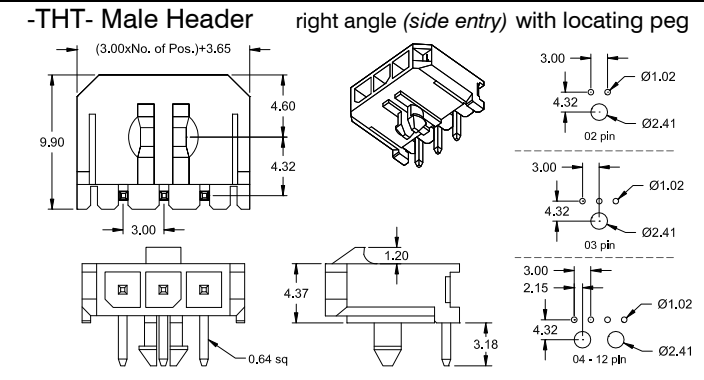
How to order

**PC X - x xx - X 300 - 99 / X**

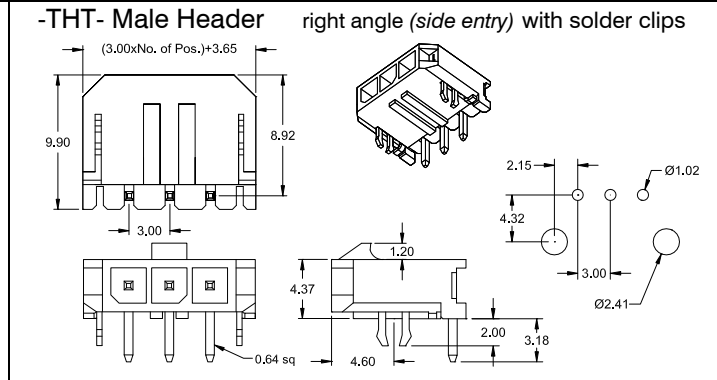
| Type   | Rows   | Nbr of Contacts  | Execution   | Plating   | Option  |
|--|--|--|---|---|---|
| <b>F</b> = Female<br><b>R</b> = R/A Male<br><b>S</b> = Straight Male | <b>1</b> = single row<br><br>if Crimp Contact:<br><b>9</b> | <b>02 - 12</b> = W, WC, SW, SC - Type<br><br>if Crimp Contact: (MOQ: 10K / reel)<br><b>99/22</b> = for AWG 20~24<br><b>99/22L</b> = for AWG 20~24<br><b>99/32</b> = for AWG 26~30<br><b>99/32L</b> = for AWG 26~30 | <b>W</b> = THT & Plug<br><b>WC</b> = THT<br><b>SW</b> = SMT<br><b>SC</b> = SMT<br><br>for details see above dwg's | <b>99</b> = Tin (leadfree)<br><br>other platings on request | <b>B</b> = Reel packing with Pickup Cap<br><br>-SC300- & -WC300- only:<br><b>LB</b> = solder clip length 3.20mm; Reel packing with Pickup Cap |

# Crimp Contact "Power Connectors"

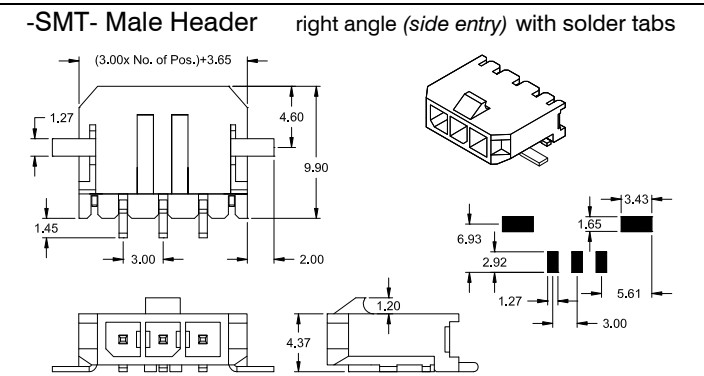
## W - Type Single Row fully shrouded with polarity protection



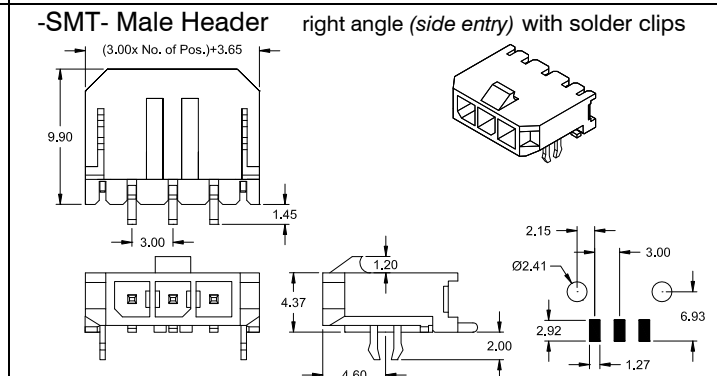
Order Code: **PCR-1xx-W300-99**



Order Code: **PCR-1xx-WC300-99** (/L = Option)

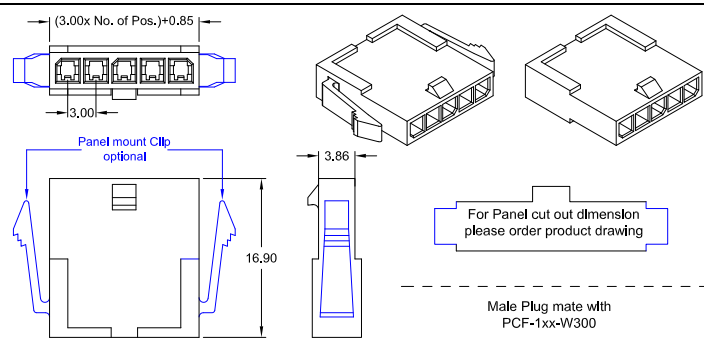


Order Code: **PCR-1xx-SW300-99/R**

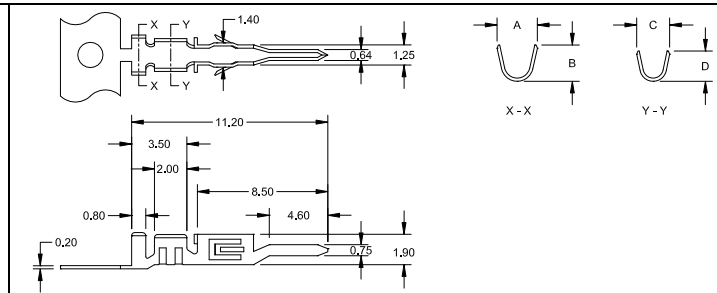


Order Code: **PCR-1xx-SC300-99/X** (/R = Standard /LR = Option)

## W - Type Male Plug Single Row -Clip lock Type- with polarity protection



Order Code Housing without Panel mount Clip: **PCM-1xx-WN300**  
 Order Code Housing with Panel mount Clip: **PCM-1xx-W300**



| Crimp Contact Order Code  | Wire range  | Dimension mm |      |      |      |
|---------------------------|-------------|--------------|------|------|------|
|                           |             | A            | B    | C    | D    |
| <b>PCM-999/22-W300-99</b> | AWG 20 ~ 24 | 2.70         | 2.40 | 2.10 | 2.10 |
| <b>PCM-999/32-W300-99</b> | AWG 26 ~ 30 | 2.40         | 1.90 | 1.80 | 1.60 |

### Specifications

|                       |               |                      |                   |                    |                 |
|-----------------------|---------------|----------------------|-------------------|--------------------|-----------------|
| Current rating        | 5 A if AWG 20 | Withstanding voltage | 1500 V AC         | Contact material   | Phosphor Bronze |
| Insulation resistance | 1000 MΩ min.  | Operating temp.      | -40°C to +105°C   | Insulator material | LCP UL 94V-0    |
| Contact resistance    | 10 mΩ max.    | SMT Processing temp. | +250°C for 5 sec. | PCM Type           | PA66 UL 94V-0   |
| Voltage rating        | 250 V AC max. |                      |                   | PCB thickness      | 1.60 mm         |

### How to order

**PC X - x xx - X 300 - 99 / X**

| Type   | Rows   | Nbr of Contacts  | Execution   | Plating   | Option   |
|--|--|--|---|---|--|
| <b>M</b> = Male<br><b>R</b> = R/A Male<br><b>S</b> = Straight Male | <b>1</b> = single row<br><br>if Crimp Contact:<br><b>9</b> | <b>02 to 12</b><br><br>if Crimp Contact: (MOQ: 10K / reel)<br><b>99/22</b> = for AWG 20~24<br><b>99/32</b> = for AWG 26~30 | <b>W</b> = THT & Plug<br><b>WC</b> = THT<br><b>WN</b> = Plug<br><b>SC</b> = SMT<br><b>SW</b> = SMT<br><br>for details see above dwg's | <b>99</b> = Tin (leadfree)<br><br>other platings on request | <b>R</b> = Reel packing<br><br>-SC300- & -WC300- only:<br><b>L</b> = solder clip length 3.20mm |

Crimp Contact "Power Connectors"

**W - Type** Dual Row fully shrouded with polarity protection

|  |  |
|--|--|
| <p><b>-THT- Male Header</b> straight (top entry)</p> <p>Order Code: <b>PCS-2xx-W300-99</b></p> | <p><b>-THT- Male Header</b> right angle (side entry)</p> <p>Order Code: <b>PCR-2xx-W300-99</b></p> |
|--|--|

|  |   |
|--|---|
| <p><b>-SMT- Male Header</b> straight (top entry) with solder tabs</p> <p>Order Code: <b>PCS-2xx-SW300-99/B</b></p> | <p><b>-SMT- Male Header</b> straight (top entry) with solder clips</p> <p>Order Code: <b>PCS-2xx-SC300-99/XX</b> (/B = Standard /LB = Option)</p> |
|--|---|

**W - Type** Female Plug Dual Row -Clip lock Type- with polarity protection

|  |  |   |
|--|--|---|
| <p>Order Code Housing: <b>PCF-2xx-W300</b></p> | <p>recommended for dual row 02~10 position<br/>(mating force 8,2N/contact max.)</p> <p>Order Code Contact: <b>PCF-999/xx-W300-99</b></p> | <p>recommended for dual row 12~24 position<br/>(mating force 5,0N/contact max.)</p> <p>Order Code Contact: <b>PCF-999/xxL-W300-99</b></p> |
|--|--|---|

**Specifications**

|                       |                |                      |                   |                    |                   |
|-----------------------|----------------|----------------------|-------------------|--------------------|-------------------|
| Current rating        | 5 A if AWG #20 | Withstanding voltage | 1500 V AC         | Contact material   | Copper Alloy      |
| Insulation resistance | 1000 MΩ min.   | Operating temp.      | -40°C to +105°C   | Insulator material | PCF PA66 UL 94V-0 |
| Contact resistance    | 10 mΩ max.     | SMT Processing temp. | +250°C for 5 sec. | PCS & PCR          | PA9T UL 94V-0     |
| Voltage rating        | 250 V AC max.  |                      |                   | SW & SC Type       | LCP UL 94V-0      |
|                       |                |                      |                   | PCB thickness      | 1.60 mm           |

**How to order**

**PC X - x xx - X 300 - 99 / X**

|  |   |   |  |   |  |
|--|---|---|--|---|--|
| <p><b>Type</b></p> <p><b>F</b> = Female<br/><b>R</b> = R/A Male<br/><b>S</b> = Straight Male</p> | <p><b>Rows</b></p> <p><b>2</b> = dual row<br/><i>if Crimp Contact:</i><br/><b>9</b></p> | <p><b>Nbr of Contacts</b></p> <p><b>02 - 24</b> = W, SW, SC - Type<br/><i>if Crimp Contact:</i> (MOQ: 10K / reel)<br/><b>99/22</b> = for AWG 20~24<br/><b>99/22L</b> = for AWG 20~24<br/><b>99/32</b> = for AWG 26~30<br/><b>99/32L</b> = for AWG 26~30</p> | <p><b>Execution</b></p> <p><b>W</b> = THT &amp; Plug<br/><b>SW</b> = SMT<br/><b>SC</b> = SMT<br/>for details see above dwg's</p> | <p><b>Plating</b></p> <p><b>99</b> = Tin (leadfree)<br/>other platings on request</p> | <p><b>Option</b></p> <p><b>B</b> = Reel packing with PickUp Cap<br/><i>PCS-2xx-SC300-99/XX only:</i><br/><b>LB</b> = solder clip length 3.20mm; Reel packing with PickUp Cap</p> |
|--|---|---|--|---|--|

Crimp Contact "Power Connectors"

**W - Type** Dual Row fully shrouded with polarity protection

|  |  |
|--|--|
| <p><b>-SMT- Male Header</b> right angle (<i>side entry</i>) with solder tabs</p> <p>Order Code: PCR-2xx-SW300-99/R</p> | <p><b>-SMT- Male Header</b> right angle (<i>side entry</i>) with solder clips</p> <p>Order Code: PCR-2xx-SC300-99/X ( /R = Standard /LR = Option )</p> |
|--|--|

**W - Type** Male Plug Dual Row -Clip lock Type- with polarity protection

| <p>Order Code Housing without Panel mount Clip: PCM-2xx-WN300</p> <p>Order Code Housing with Panel mount Clip: PCM-2xx-W300</p> | <table border="1"> <thead> <tr> <th rowspan="2">Crimp Contact Order Code</th> <th rowspan="2">Wire range</th> <th colspan="4">Dimension mm</th> </tr> <tr> <th>A</th> <th>B</th> <th>C</th> <th>D</th> </tr> </thead> <tbody> <tr> <td>PCM-999/22-W300-99</td> <td>AWG 20 ~ 24</td> <td>2.70</td> <td>2.40</td> <td>2.10</td> <td>2.10</td> </tr> <tr> <td>PCM-999/32-W300-99</td> <td>AWG 26 ~ 30</td> <td>2.40</td> <td>1.90</td> <td>1.80</td> <td>1.60</td> </tr> </tbody> </table> | Crimp Contact Order Code | Wire range | Dimension mm |      |  |  | A | B | C | D | PCM-999/22-W300-99 | AWG 20 ~ 24 | 2.70 | 2.40 | 2.10 | 2.10 | PCM-999/32-W300-99 | AWG 26 ~ 30 | 2.40 | 1.90 | 1.80 | 1.60 |
|---|---|--------------------------|------------|--------------|------|--|--|---|---|---|---|--------------------|-------------|------|------|------|------|--------------------|-------------|------|------|------|------|
| Crimp Contact Order Code  | Wire range  |                          |            | Dimension mm |      |  |  |   |   |   |   |                    |             |      |      |      |      |                    |             |      |      |      |      |
|   |   | A                        | B          | C            | D    |  |  |   |   |   |   |                    |             |      |      |      |      |                    |             |      |      |      |      |
| PCM-999/22-W300-99  | AWG 20 ~ 24   | 2.70                     | 2.40       | 2.10         | 2.10 |  |  |   |   |   |   |                    |             |      |      |      |      |                    |             |      |      |      |      |
| PCM-999/32-W300-99  | AWG 26 ~ 30   | 2.40                     | 1.90       | 1.80         | 1.60 |  |  |   |   |   |   |                    |             |      |      |      |      |                    |             |      |      |      |      |

**Specifications**

|                       |               |                      |                   |                    |                 |
|-----------------------|---------------|----------------------|-------------------|--------------------|-----------------|
| Current rating        | 5 A if AWG 20 | Withstanding voltage | 1500 V AC         | Contact material   | Phosphor Bronze |
| Insulation resistance | 1000 MΩ min.  | Operating temp.      | -40°C to +105°C   | Insulator material | LCP UL 94V-0    |
| Contact resistance    | 10 mΩ max.    | SMT Processing temp. | +250°C for 5 sec. | PCM Type           | PA66 UL 94V-0   |
| Voltage rating        | 250 V AC max. | PCB thickness        |                   |                    | 1.60 mm         |

How to order

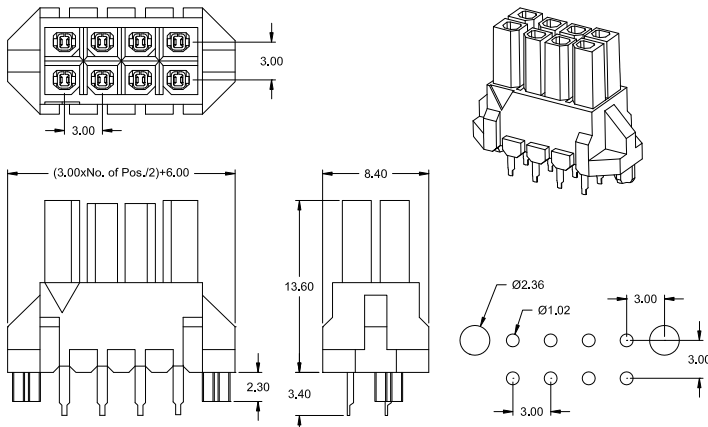
PC X - x xx - X 300 - 99 / X

|   |  |  |  |  |   |
|---|--|--|--|--|---|
| <p><b>Type</b></p> <p><b>M</b> = Male<br/><b>R</b> = R/A Male</p> | <p><b>Rows</b></p> <p><b>2</b> = dual row</p> <p><i>if Crimp Contact:</i><br/><b>9</b></p> | <p><b>Nbr of Contacts</b></p> <p><b>04 to 24</b></p> <p><i>if Crimp Contact:</i> (MOQ: 10K / reel)<br/><b>99/22</b> = for AWG 20~24<br/><b>99/32</b> = for AWG 26~30</p> | <p><b>Execution</b></p> <p><b>W</b> = Plug<br/><b>WN</b> = Plug<br/><b>SC</b> = SMT<br/><b>SW</b> = SMT</p> <p>for details see above dwg's</p> | <p><b>Plating</b></p> <p><b>99</b> = Tin (leadfree)</p> <p>other platings on request</p> | <p><b>Option</b></p> <p><b>R</b> = Reel packing</p> <p><i>PCR-2xx-SC300-99/X only:</i><br/><b>L</b> = solder clip length 3.20mm</p> |
|---|--|--|--|--|---|

Crimp Contact "Power Connectors"

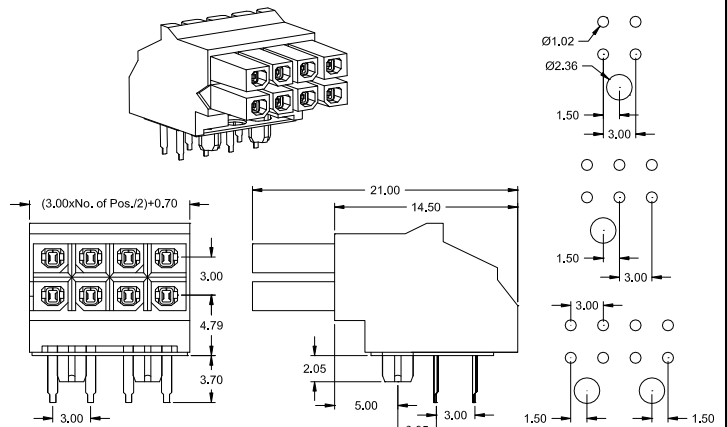
**BF - Type** Female Plug Dual Row with polarity protection

-THT- straight



Order Code: **PCS-2xx-BF300-99**

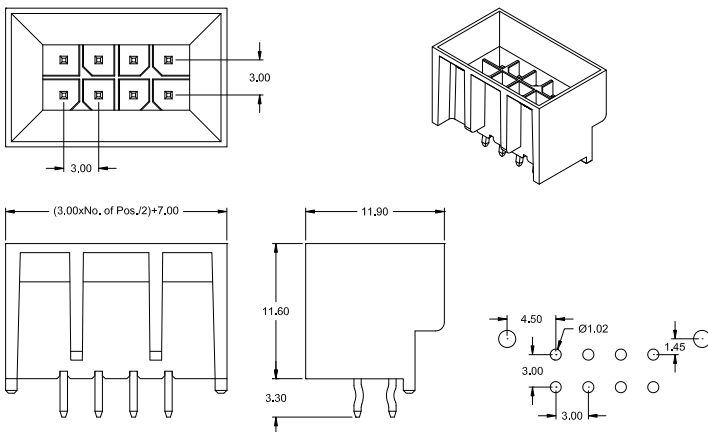
-THT- right angle



Order Code: **PCR-2xx-BF300-99**

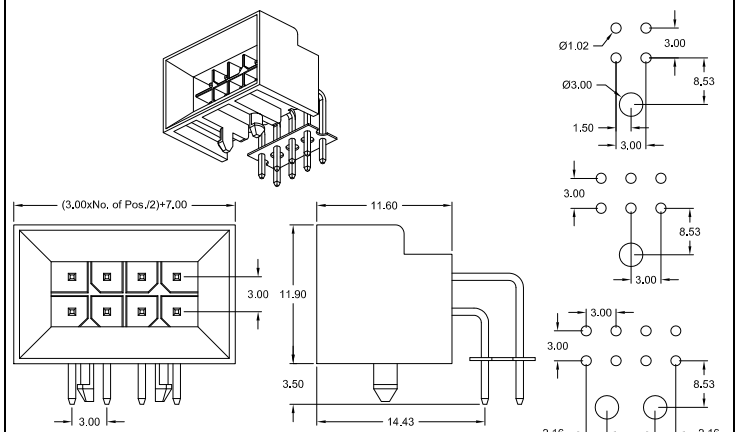
**BM - Type** Male Header Dual Row fully shrouded with polarity protection

-THT- straight (top entry)



Order Code: **PCS-2xx-BM300-99**

-THT- right angle (side entry)



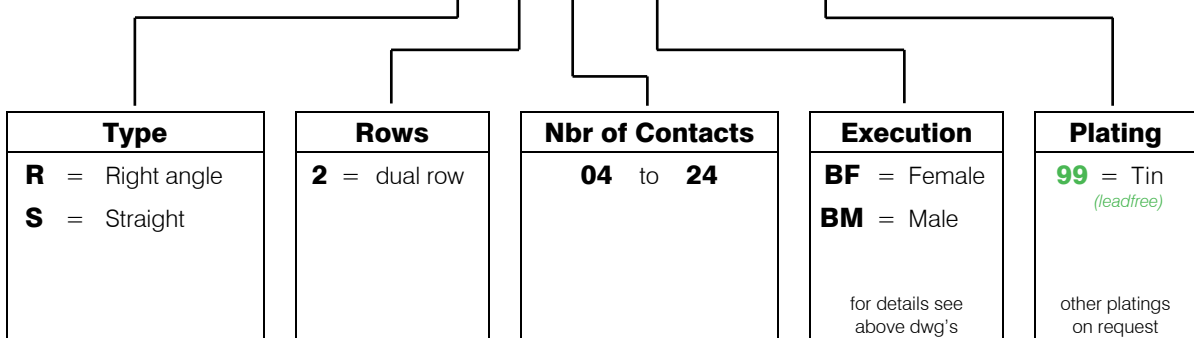
Order Code: **PCR-2xx-BM300-99**

**Specification**

|                       |              |                      |                 |                    |              |
|-----------------------|--------------|----------------------|-----------------|--------------------|--------------|
| Current rating        | 5 A          | Voltage rating       | 250 V AC max.   | Contact material   | Copper alloy |
| Insulation resistance | 1000 MΩ min. | Withstanding voltage | 1500 V AC       | Insulator material | LCP UL 94V-0 |
| Contact resistance    | 10 mΩ max.   | Operating temp.      | -40°C to +105°C | PCB thickness      | 1.60 mm      |

How to order

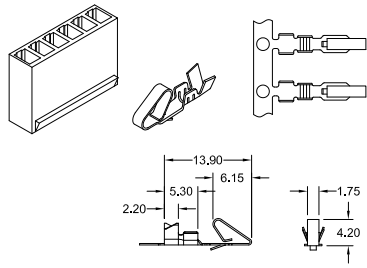
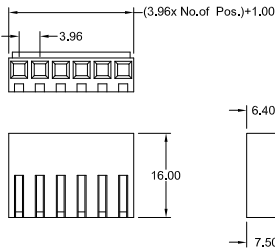
PC X - 2 xx - XX 300 - 99



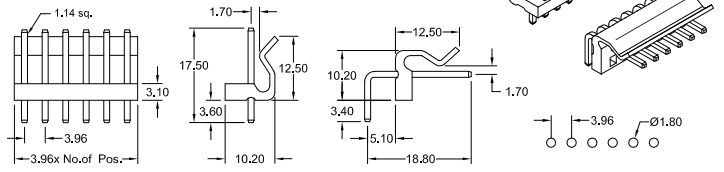
# Crimp Contact & IDC Power Connectors

## F - Type "Friction Lock" Single Row

### Female Plug



### -THT- Male Header straight & right angle



Order Code Housing: PCF-1xx-F396

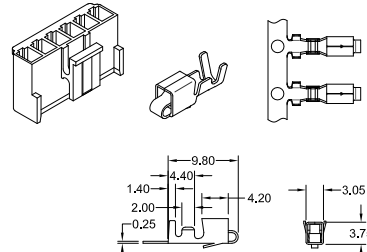
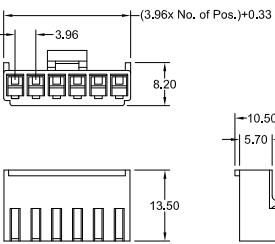
Contact: PCF-999/20-F396-99

Order Code straight: PCS-1xx-F396-99

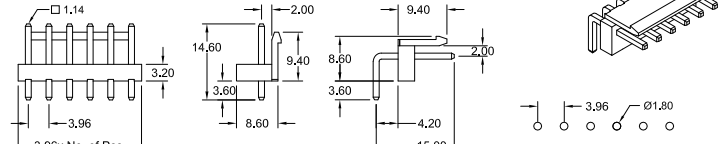
right angle: PCR-1xx-F396-99

## Q - Type "Quick Lock" Single Row

### Female Plug



### -THT- Male Header straight & right angle



Order Code Housing: PCF-1xx-Q396

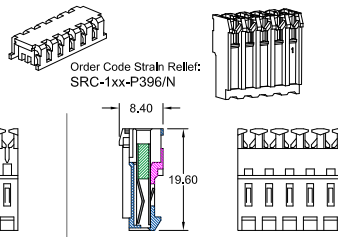
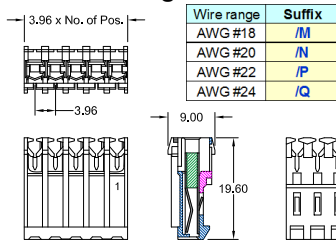
Contact: PCF-999/xx-Q396-99

Order Code straight: PCS-1xx-Q396-99

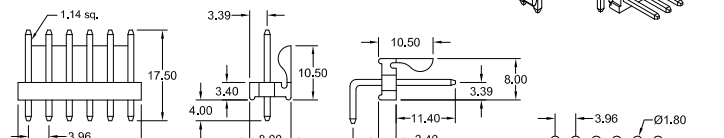
right angle: PCR-1xx-Q396-99

## P - Type IDC "Friction Lock" Single Row

### Female Plug



### -THT- Male Header straight & right angle



Order Code: IDF-1xx/X-P396-99

IDF-1xx/X-PC396-99

Order Code straight: PCS-1xx-P396-99

right angle: PCR-1xx-P396-99

## Specifications

|                            |                   |                       |                |                  |               |
|----------------------------|-------------------|-----------------------|----------------|------------------|---------------|
| Current rating F- & Q-Type | 7 A               | Voltage rating        | 250 V AC max.  | Contact material | Copper Alloy  |
| P-Type                     | 4 A (UL) 5A (CSA) |                       |                |                  |               |
| Insulation resistance      | 1000 MΩ min.      | Operating temperature | -20°C to +85°C | Q Type           | PA66 UL 94V-0 |
| Contact resistance         | 20 mΩ max.        |                       |                | PCB thickness    | 1.60 mm       |

## How to order

**XXX - x xx - X 396 - 99**

| Type                       |
|----------------------------|
| <b>PCF</b> = Female        |
| <b>PCR</b> = R/A Male      |
| <b>PCS</b> = Straight Male |
| <b>IDF</b> = IDC Female    |

| Rows                     |
|--------------------------|
| <b>1</b> = single row    |
| <i>if Crimp Contact:</i> |
| <b>9</b>                 |

| Nbr of Contacts                     |
|-------------------------------------|
| <b>02 - 16</b> = F - Type           |
| <b>02 - 28</b> = P - Type           |
| <b>02 - 15</b> = Q - Type           |
| <i>if Crimp Contact for Q-Type:</i> |
| <b>99/19</b> = for AWG 18~22        |
| <b>99/16</b> = for AWG 16~20        |
| MOQ: F-Type = 6K / reel             |
| Q-Type = 4K / reel                  |

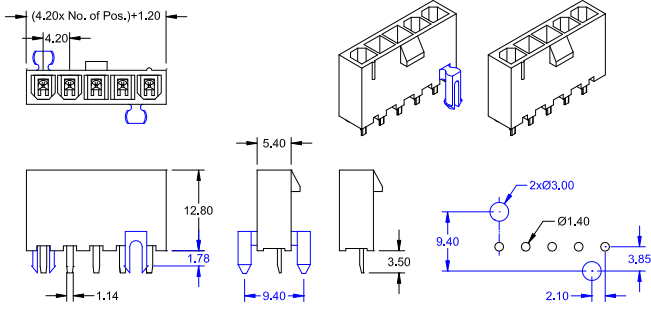
| Execution                     |
|-------------------------------|
| <b>F</b> = Friction Lock Type |
| <b>P</b> = IDC "open" Type    |
| <b>PC</b> = IDC "closed" Type |
| <b>Q</b> = Quick Lock Type    |
| for details see above dwg's   |

| Plating                    |
|----------------------------|
| <b>99</b> = Tin (leadfree) |
| other platings on request  |

Crimp Contact "Power Connectors"

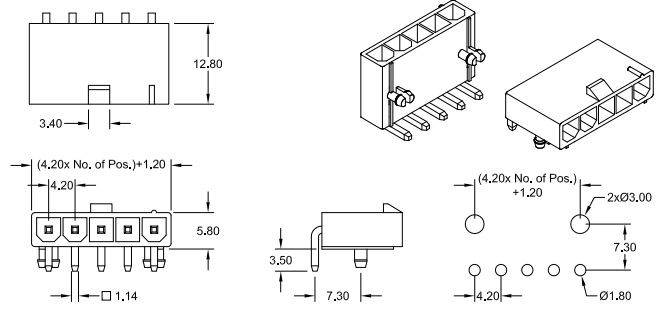
**P - Type** Single Row fully shrouded with polarity protection

-THT- Male Header straight (top entry) with & w/o board lock clips



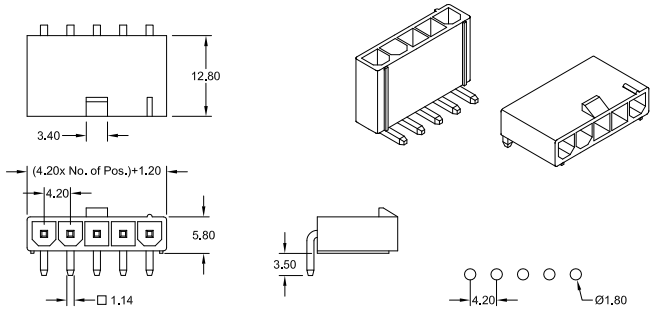
Order Code: PCS-1xx-P420-99      PCS-1xx-PN420-99

-THT- Male Header right angle (side entry) with board lock clips



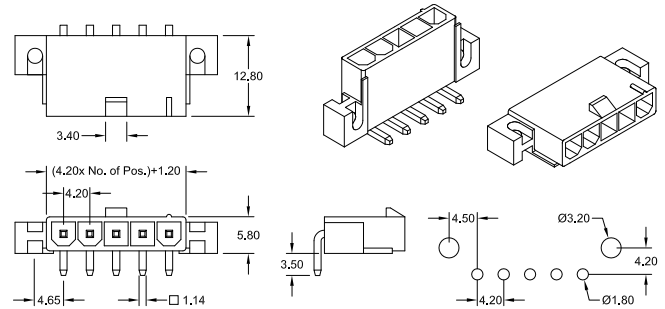
Order Code: PCR-1xx-P420-99

-THT- Male Header right angle (side entry)



Order Code: PCR-1xx-A420-99

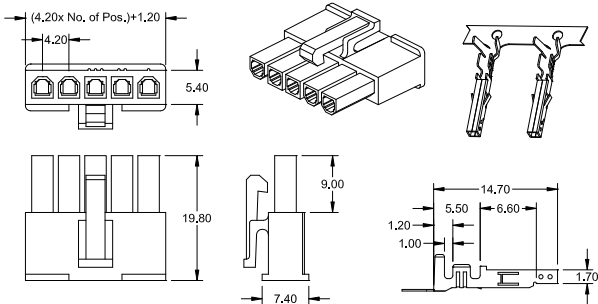
-THT- Male Header right angle (side entry) with mounting ears



Order Code: PCR-1xx-W420-99

**P - Type** Female Plug Single Row -Clip lock Type- with polarity protection

mate with -P420-, -A420- & -W420- Male Header



Order Code Housing: PCF-1xx-P420      Contact: PCF-999/xxX-P420-99

Current rating @30°C:  
(dependant on number of contacts and wire size)

| Wire Size<br>AWG | Contacts |         |         |         |
|------------------|----------|---------|---------|---------|
|                  | 02 ~ 03  | 04 ~ 06 | 07 ~ 10 | 11 ~ 12 |
| #16              | 9A       | 8A      | 7A      | 6A      |
| #18              | 9A       | 8A      | 7A      | 6A      |
| #20              | 7A       | 6A      | 5A      | 5A      |
| #22              | 5A       | 4A      | 4A      | 4A      |
| #24              | 4A       | 3A      | 3A      | 3A      |
| #26              | 3A       | 2A      | 2A      | 2A      |
| #28              | 2A       | 1A      | 1A      | 1A      |

**Specifications**

|                       |                    |                       |                |                    |               |
|-----------------------|--------------------|-----------------------|----------------|--------------------|---------------|
| Current rating        | pls. see box above | Voltage rating        | 600 V AC/DC    | Contact material   | Brass or PhBz |
| Insulation resistance | 1000 MΩ min.       | Withstanding voltage  | 1500 V AC      | Insulator material | PA66 UL 94V-2 |
| Contact resistance    | 20 mΩ max.         | Operating temperature | -25°C to +85°C | PCB thickness      | 1.60 mm       |

How to order

PC X - x xx - X 420 - 99

| Type   | Rows  | Nbr of Contacts  | Execution  | Plating   |
|--|---|--|--|---|
| <b>F</b> = Female<br><b>R</b> = R/A Male<br><b>S</b> = Straight Male | <b>1</b> = single row<br><i>if Crimp Contact:</i><br><b>9</b> | <b>02 - 12</b> = P, A & W - Type<br><i>if Crimp Contact:</i> (MOQ: 5K / reel)<br><i>if Brass:</i><br><b>99/27</b> = for AWG 22~28<br><b>99/20</b> = for AWG 18~24<br><b>99/14</b> = for AWG 16<br><i>if Phosphor Bronze:</i><br><b>99/27P</b> = for AWG 22~28<br><b>99/20P</b> = for AWG 18~24<br><b>99/14P</b> = for AWG 16 | <b>P</b> = with board lock clips<br><b>PN</b> = without board lock clips<br><b>A</b> = without mounting ears<br><b>W</b> = with mounting ears<br><br>for details see above dwg's | <b>99</b> = Tin (leadfree)<br><br>other platings on request |

Crimp Contact "Power Connectors"

**P - Type Dual Row fully shrouded with polarity protection**

**-THT- Male Header straight (top entry) with board lock clips**

Order Code: **PCS-2xx-P420-99**

**-THT- Male Header straight (top entry) without board lock clips**

Order Code: **PCS-2xx-PN420-99**

**-THT- Male Header right angle (side entry) with mounting ears**

Order Code: **PCR-2xx-W420-99**

**-THT- Male Header right angle (side entry) with board lock clips**

Order Code: **PCR-2xx-P420-99**

**P - Type Female Plug Dual Row -Clip lock Type- with polarity protection**

*mate with -P420- & -W420- Male Header*

Order Code Housing: **PCF-2xx-P420**      Contact: **PCF-999/xxX-P420-99**

Current rating @30°C:  
(dependant on number of contacts and wire size)

| Wire Size | Contacts |         |         |         |
|-----------|----------|---------|---------|---------|
|           | 02       | 04 & 06 | 08 & 10 | 12 ~ 24 |
| #18       | 9A       | 8A      | 7A      | 6A      |
| #20       | 7A       | 6A      | 5A      | 5A      |
| #22       | 5A       | 4A      | 4A      | 4A      |
| #24       | 4A       | 3A      | 3A      | 3A      |
| #26       | 3A       | 2A      | 2A      | 2A      |
| #28       | 2A       | 1A      | 1A      | 1A      |

**Specifications**

|                       |                    |                       |                |                    |               |
|-----------------------|--------------------|-----------------------|----------------|--------------------|---------------|
| Current rating        | pls. see box above | Voltage rating        | 600 V AC/DC    | Contact material   | Brass or PhBz |
| Insulation resistance | 1000 MΩ min.       | Withstanding voltage  | 1500 V AC      | Insulator material | PA66 UL 94V-2 |
| Contact resistance    | 20 mΩ max.         | Operating temperature | -25°C to +85°C | PCB thickness      | 1.60 mm       |

**How to order**

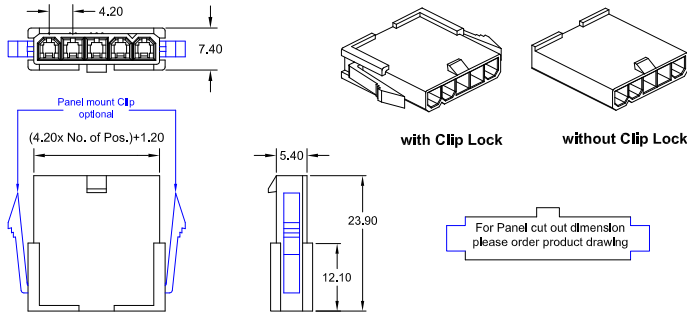
**PC X - x xx - X 420 - 99**

| Type   | Rows  | Nbr of Contacts   | Execution  | Plating   |
|--|---|---|--|---|
| <b>F</b> = Female<br><b>R</b> = R/A Male<br><b>S</b> = Straight Male | <b>2</b> = dual row<br><i>if Crimp Contact:</i><br><b>9</b> | <b>02 - 24</b> = P & W - Type<br><i>if Crimp Contact: (MOQ: 5K / reel)</i><br><i>if Brass:</i><br><b>99/27</b> = for AWG 22~28<br><b>99/20</b> = for AWG 18~24<br><b>99/14</b> = for AWG 16<br><i>if Phosphor Bronze:</i><br><b>99/27P</b> = for AWG 22~28<br><b>99/20P</b> = for AWG 18~24<br><b>99/14P</b> = for AWG 16 | <b>P</b> = with board lock clips<br><b>PN</b> = without board lock clips<br><b>W</b> = with mounting ears<br><br>for details see above dwg's | <b>99</b> = Tin (leadfree)<br><br>other platings on request |

Crimp Contact "Power Connectors"

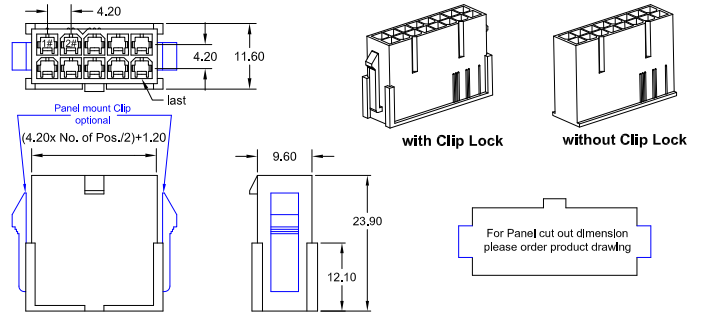
**P - Type Male Plug** Single & Dual Row

Single Row Housing with & without -Panel Clip lock-mate with PCF-1xx-P420



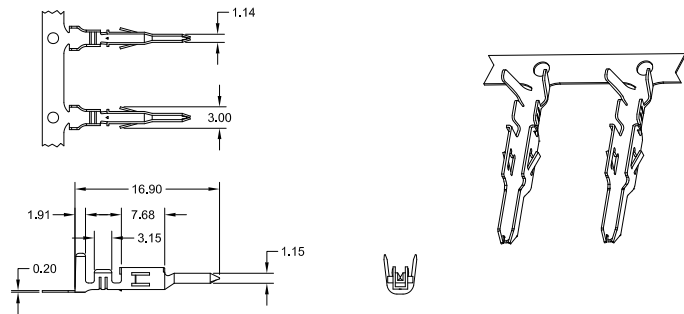
Order Code with Panel Clip lock: **PCM-1xx-P420**  
 Order Code without Panel Clip lock: **PCM-1xx-PN420**

Dual Row Housing with & without -Panel Clip lock-mate with PCF-2xx-P420



Order Code with Panel Clip lock: **PCM-2xx-P420**  
 Order Code without Panel Clip lock: **PCM-2xx-PN420**

**Male Contact**



Order Code: **PCM-999/xxX-P420-99**

Current rating @30°C:  
 (dependant on number of contacts and wire size)

| Wire Size<br>AWG | Contacts |         |         |         |
|------------------|----------|---------|---------|---------|
|                  | 02 ~ 03  | 04 ~ 06 | 07 ~ 10 | 11 ~ 24 |
| #16              | 9A       | 8A      | 7A      | 6A      |
| #18              | 9A       | 8A      | 7A      | 6A      |
| #20              | 7A       | 6A      | 5A      | 5A      |
| #22              | 5A       | 4A      | 4A      | 4A      |
| #24              | 4A       | 3A      | 3A      | 3A      |
| #26              | 3A       | 2A      | 2A      | 2A      |
| #28              | 2A       | 1A      | 1A      | 1A      |

**Specifications**

|                       |                    |                      |                 |                    |               |
|-----------------------|--------------------|----------------------|-----------------|--------------------|---------------|
| Current rating        | pls. see box above | Voltage rating       | 600 V AC max.   | Contact material   | Copper alloy  |
| Insulation resistance | 1000 MΩ min.       | Withstanding voltage | 1500 V AC       | Insulator material | PA66 UL 94V-2 |
| Contact resistance    | 20 mΩ max.         | Operating temp.      | -40°C to +105°C | PCB Thickness      | 2.00 mm max.  |

**How to order**

**PCM - x xx - X 420 - 99**

**Rows**

**1** = single row  
**2** = dual row

*if Crimp Contact:*

**9**

**Nbr of Contacts**

**02 - 12** = P & PN – Type single row  
**02 - 24** = P & PN – Type dual row

*if Crimp Contact: (MOQ: 5K / reel)*  
*if Brass (standard):*  
**99/27** = for AWG 22~28  
**99/20** = for AWG 18~24  
**99/14** = for AWG 16

*if Phosphor Bronze (on request):*  
**99/27P** = for AWG 22~28  
**99/20P** = for AWG 18~24  
**99/14P** = for AWG 16

**Execution**

**P** = with panel Clip lock  
**PN** = without panel Clip lock

for details see above dwg's

**Plating**

**99** = Tin (leadfree)

other platings on request

Crimp Contact "Power Connectors"

|   |                         |   |                 |
|---|-------------------------|---|-----------------|
| <b>BM - Type Male Header Dual Row fully shrouded with polarity protection</b>       |                         |   |                 |
| <p><b>-THT- straight (top entry)</b></p> <p>Order Code: <b>PCS-2xx-BM420-99</b></p> |                         | <p><b>-THT- right angle (side entry)</b></p> <p>Order Code: <b>PCR-2xx-BM420-99</b></p>   |                 |
| <b>BF - &amp; BSC - Type Female Dual Row with polarity protection</b>               |                         |   |                 |
| <p><b>-THT- straight</b></p> <p>Order Code: <b>PCS-2xx-BF420-99</b></p>             |                         | <p><b>Dual Row Female Plug Housing panel mount Clip lock Type</b></p> <p>Order Code: <b>PCF-2xx-BSC420</b>      Contact: <b>PCF-999/xxX-P420-99</b></p> |                 |
| <b>BC - Type Male Plug Housing Dual Row panel mount Clip lock Type</b>              |                         |   |                 |
| <p><i>mate with PCF-2xx-P420</i></p> <p>Order Code: <b>PCM-2xx-BC420</b></p>        |                         | <p><b>Male Contact</b></p> <p>Order Code: <b>PCM-999/xxX-P420-99</b></p>  |                 |
| <b>Specifications</b>   |                         |   |                 |
| Current rating  | pls. see box page 133-1 | Voltage rating  | 600 V AC max.   |
| Insulation resistance   | 1000 MΩ min.            | Withstanding voltage  | 1500 V AC       |
| Contact resistance  | 20 mΩ max.              | Operating temp.   | -40°C to +105°C |
|   |                         | Contact material  | Copper alloy    |
|   |                         | Insulator material  | PA66 UL 94V-2   |
|   |                         | PCB / Panel thickness   | 1.80 mm max.    |

How to order

**PC X - x xx - X 420 - 99**

|  |   |  |   |  |
|--|---|--|---|--|
| <p><b>Type</b></p> <p><b>F</b> = Female<br/><b>M</b> = Male<br/><b>R</b> = Right angle<br/><b>S</b> = Straight</p> | <p><b>Rows</b></p> <p><b>2</b> = dual row</p> <p><i>if Crimp Contact:</i></p> <p><b>9</b></p> | <p><b>Nbr of Contacts</b></p> <p><b>02 - 24</b> = BC, BF, BM &amp; BSC -Type</p> <p><i>if Crimp Contact: (MOQ: 5K / reel)</i></p> <p><i>if Brass (standard):</i></p> <p><b>99/27</b> = for AWG 22~28<br/><b>99/20</b> = for AWG 18~24<br/><b>99/14</b> = for AWG 16</p> <p><i>if Phosphor Bronze (on request):</i></p> <p><b>99/27P</b> = for AWG 22~28<br/><b>99/20P</b> = for AWG 18~24<br/><b>99/14P</b> = for AWG 16</p> | <p><b>Execution</b></p> <p><b>BC</b> = Male Plug Housing<br/><b>BF</b> = THT Female<br/><b>BM</b> = THT Male<br/><b>P</b> = Male Contact</p> <p>for details see above dwg's</p> | <p><b>Plating</b></p> <p><b>99</b> = Tin (leadfree)</p> <p>other platings on request</p> |
|--|---|--|---|--|

Crimp Contact & IDC Power Connectors

**F - Type "Friction Lock" Single Row**

**Female Plug**

Order Code Housing: **PCF-1xx-F508**      Contact: **PCF-999/20-F508-99**

**-THT- male header**      straight & right angle

Order Code straight: **PCS-1xx-F508-99**      right angle: **PCR-1xx-F508-99**

**Disc Drive Power Connector**

**P - Type**      2, 3 & 4 Crimp Contact - Female Plug

Order Code Housing: **PCF-1xx-P508**  
Contact: **PCF-999/16-P508-99** or **PCF-999/19-P508-99**

**I - Type**      IDC - Female Plug      (AWG 18~20)

Order Code with standard Cover: **PCF-104-I508-99**  
with Type "C" Cover: **PCF-104-I508-99/C**

**C - Type**      2, 3 & 4 Crimp Contact - Male Plug

Order Code Housing: **PCM-1xx-C508**      Contact: **PCM-999/19-C508-99**

**Specifications**

|                       |              |                       |                 |                    |               |
|-----------------------|--------------|-----------------------|-----------------|--------------------|---------------|
| Current rating        | 7 A          | Voltage rating        | 250 V AC max.   | Contact material   | Copper Alloy  |
| Insulation resistance | 1000 MΩ min. | Withstanding voltage  | 1500 V AC       | Insulator material | PA66 UL 94V-2 |
| Contact resistance    | 20 mΩ max.   | Operating temperature | -40°C to +105°C | PCB thickness      | 1.60 mm       |

**How to order**

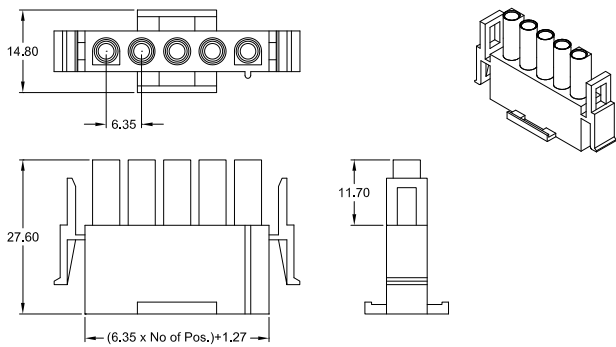
**PC X - x xx - X 508 - 99**

|  |   |  |   |   |
|--|---|--|---|---|
| <b>Type</b>  | <b>Rows</b>   | <b>Nbr of Contacts</b>   | <b>Execution</b>  | <b>Plating</b>  |
| <b>F</b> = Female<br><b>R</b> = R/A Male<br><b>S</b> = Straight Male<br><b>M</b> = Male contact & Header | <b>1</b> = single row<br><br><i>if Crimp Contact:</i><br><b>9</b> | <b>02 - 10</b> = F - Type<br><b>02, 03 &amp; 04</b> = P & C - Type<br><b>04</b> = I - Type<br><br><i>if Crimp Contact:</i><br><b>99/20</b> = for AWG 18~24<br><b>99/19</b> = for AWG 18~22<br><b>99/16</b> = for AWG 16~20<br>MOQ: P- & C-Type = 6K / reel<br>F - Type = 7K / reel | <b>F</b> = THT & Plug<br><b>P</b> = Plug<br><b>I</b> = Plug<br><b>C</b> = Plug<br><br>for details see above dwg's | <b>99</b> = Tin<br><i>(leadfree)</i><br><br>other platings on request |

# Crimp Contact "Power Connectors"

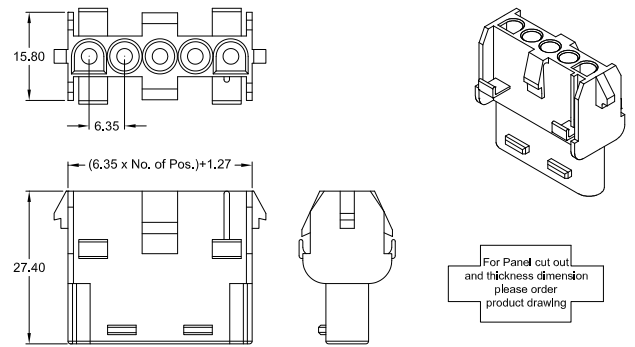
## P - Type "Quick Lock" Single Row

### Plug Housing (load with Female Contact)



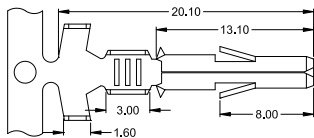
Order Code Housing: **PCF-1xx-P635/X**

### Clutch Housing (load with Male Contact)



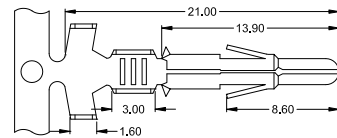
Order Code Housing: **PCC-1xx-P635/X**

### Female Contact



Order Code Contact: **PCF-999/xx-P635-99**      MOQ: 10K / reel

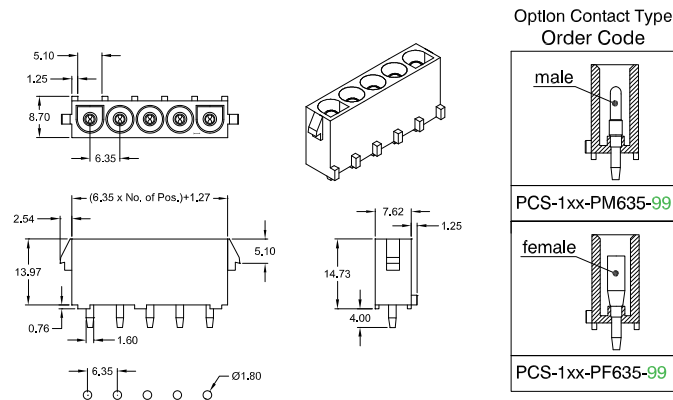
### Male Contact



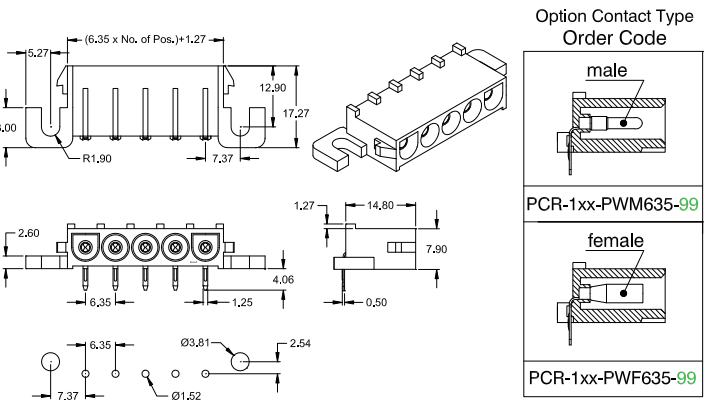
Order Code Contact: **PCM-999X/xx-P635-99**      MOQ: 10K / reel

## Fully Shrouded Header

### -THT- Male & Female straight (top entry)



### -THT- Male & Female right angle (top entry) with mounting ears



## Specifications

|                       |                       |                       |                 |                    |                     |
|-----------------------|-----------------------|-----------------------|-----------------|--------------------|---------------------|
| Current rating        | 13 A (5-10 pos. 11 A) | Voltage rating        | 600 V AC max.   | Contact material   | Copper Alloy        |
| Insulation resistance | 1000 MΩ min.          | Withstanding voltage  | 1000 V AC       | Insulator material | PA66 UL 94V-0 & V-2 |
| Contact resistance    | 20 mΩ max.            | Operating temperature | -55°C to +105°C | PCB thickness      | 1.60mm              |

## How to order

**PC X - x xx - X 635 - 99 / X**

| Type   | Rows  | Nbr of Contacts  | Execution  | Plating   | Color Option  |
|--|---|--|--|---|---|
| <b>C</b> = Clutch<br><b>F</b> = Female<br><b>M</b> = Male<br><b>R</b> = Right angle<br><b>S</b> = Straight | <b>1</b> = single row<br><br><i>if Crimp Contact:</i><br><b>9</b> | <b>02 - 10</b> = P, PM, PF, PWM<br>PWF - Execution<br><br><i>if Crimp Contact:</i><br>PCM-Type for 2 to 5 Position:<br><b>99L/10</b> = for AWG 12~14<br><b>99L/16</b> = for AWG 16~20<br><b>99L/19</b> = for AWG 18~22<br><br>PCM-Type for 6 to 10 Position:<br>PCF-Type for 2 to 10 Position:<br><b>99/10</b> = for AWG 12~14<br><b>99/16</b> = for AWG 16~20<br><b>99/19</b> = for AWG 18~22 | <b>P</b> = P - Type<br><b>PM</b> = P - Type male<br><b>PF</b> = P - Type female<br><br><i>PM &amp; PF are with polarizing pin available. Pls. ask for separate datasheet.</i><br><br><b>PWM</b> = PW - Type male<br><b>PWF</b> = PW - Type female<br><br>for details see above dwg's | <b>99</b> = Tin (leadfree)<br><br>other platings on request | <b>N</b> = nature (UL 94V-2)<br><br><b>W</b> = white (UL 94V-0) |

Crimp Contact "Power Connectors"

**P - Type "Quick Lock" Triple Row**

|  |  |
|--|--|
| <p><b>Plug Housing</b> (load with Female Contact)</p> <p>Order Code Housing: <b>PCF-3xx-P635/X</b></p> | <p><b>Clutch Housing</b> (load with Male Contact)</p> <p>Order Code Housing: <b>PCC-3xx-P635/X</b></p> <p>For Panel cut out and thickness dimension please order product drawing</p> |
| <p><b>Female Contact</b></p> <p>Order Code: <b>PCF-999/xx-P635-99</b>      MOQ: 10K / reel</p>         | <p><b>Male Contact</b></p> <p>Order Code: <b>PCM-999/xx-P635-99</b>      MOQ: 10K / reel</p>   |

**Fully Shrouded Header**

|  |  |
|--|--|
| <p><b>-THT- Female</b> straight (top entry)</p> <p>Order Code: <b>PCS-3xx-PF635-99/X</b></p> | <p><b>-THT- Male</b> straight (top entry)</p> <p>Order Code: <b>PCS-3xx-PM635-99/X</b></p> |
|--|--|

**Specifications**

|                       |                       |                       |                 |                    |                     |
|-----------------------|-----------------------|-----------------------|-----------------|--------------------|---------------------|
| Current rating        | 13 A (5-10 pos. 11 A) | Voltage rating        | 600 V AC max.   | Contact material   | Copper Alloy        |
| Insulation resistance | 1000 MΩ min.          | Withstanding voltage  | 1000 V AC       | Insulator material | PA66 UL 94V-0 & V-2 |
| Contact resistance    | 20 mΩ max.            | Operating temperature | -55°C to +105°C | PCB thickness      | 1.60mm              |

**How to order**

**PC X - x xx - X 635 - 99 / X**

|   |   |   |   |  |  |
|---|---|---|---|--|--|
| <p><b>Type</b></p> <p><b>C</b> = Clutch<br/><b>F</b> = Female<br/><b>M</b> = Male<br/><b>S</b> = Straight</p> | <p><b>Rows</b></p> <p><b>3</b> = triple row</p> <p>if Crimp Contact:<br/><b>9</b></p> | <p><b>Nbr of Contacts</b></p> <p>P, PF &amp; PM – Execution:<br/><b>06, 09, 12 &amp; 15</b></p> <p>if Crimp Contact:<br/><b>99/10</b> = for AWG 12~14<br/><b>99/16</b> = for AWG 16~20<br/><b>99/19</b> = for AWG 18~22</p> | <p><b>Execution</b></p> <p><b>P</b> = P - Type<br/><b>PM</b> = P - Type male<br/><b>PF</b> = P - Type female</p> <p>for details see above dwg's</p> | <p><b>Plating</b></p> <p><b>99</b> = Tin (leadfree)</p> <p>other platings on request</p> | <p><b>Color Option</b></p> <p><b>N</b> = nature (UL 94V-2)<br/><b>W</b> = white (UL 94V-0)</p> <p>PF &amp; PM Execution if polarizing is requested:<br/><b>NP</b> = nature (UL 94V-2)<br/><b>WP</b> = white (UL 94V-0)</p> |
|---|---|---|---|--|--|