



Contents

RF Connector

SMA	1
SMB	11
SMC	16
SMP	19
SSMB	22
MCX	25
MMCX	30
BNC	35
TNC	41
FAKRA	47
N	61
UHF	66
FME	69
F	72
IPEX Series	75
Hirose Series	77
RF Adapter	79

RF Cable Assembly

0.81mm	87
1.13mm	88

1.32mm	90
1.37mm	92
1.48mm	94
RG178	95
RG174	96
RG316	100
RG58	105
RG59, RG142, RG213	107
LMR Series	108
Semi Rigid, Semi Flex.	111

RF Antenna

Wifi / WLAN / Bluetooth	114
GSM / GPRS	115
GPS	116
433MHz	117
Yagi	118

FFC

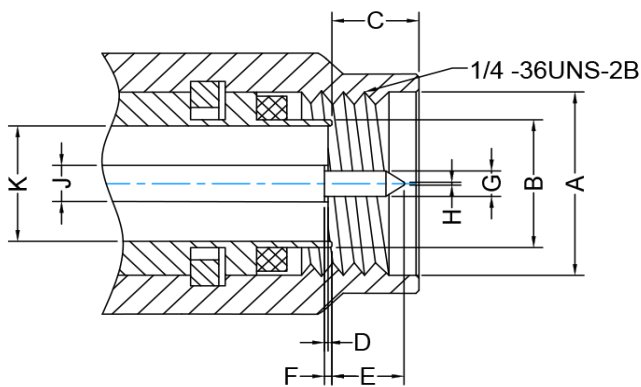
FFC Cable	119
-----------	-------	-----

SMA Connector

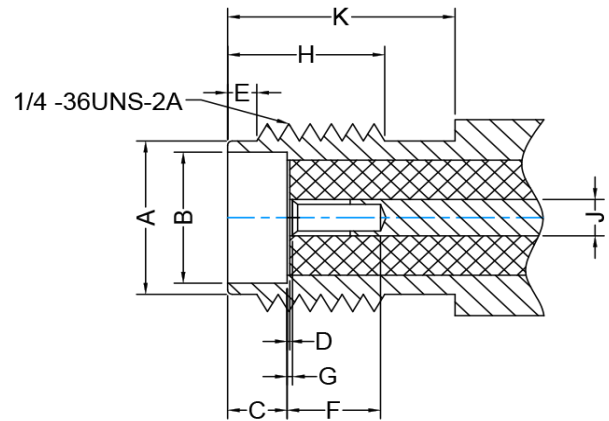
SMA connector (SubMiniature version A) are coaxial RF connectors developed in the 1960s as a minimal connector interface for coaxial cable with a screw type coupling mechanism, it has a 50Ω impedance. SMA connector is designed to have 1/4"-36 thread mating. Besides, SMA connector series are available for RF cable types, PCB type, SMT / SMD type, receptacle type, front mount type, edge mount type, flange mount type and so on. SMA connector commonly is used for 0~6 GHz, but offers 26.5 GHz max. It offers excellent electrical performance from DC to 18 GHz.

Interface Mating Dimensions

Male



Female



Male Pin Connector (unit: mm)

LTR.	Min.	Max.
A	6.35	-
B	4.53	4.59
C	2.56	3.43
D	0.00	0.18
E	1.91	2.56
F	0.00	0.25
G	0.90	0.94
H	0.00	0.38
J	1.25	1.30
K	4.10	4.13

Female Pin Connector (unit: mm)

LTR.	Min.	Max.
A	5.28	5.49
B	4.60	4.67
C	1.88	1.98
D	0.00	0.18
E	0.38	1.14
F	2.92	-
G	0.00	0.18
H	4.32	-
J	1.25	1.30
K	5.54	-

Technical Data

Major Characteristics			
Impedance		50Ω	
Frequency Range		DC~12.4GHz (Semi Rigid Cable DC~18GHz)	
Working Voltage		335V r.m.s. @ sea level	
Withstanding Voltage		1000V r.m.s. @ sea level	
Contact Resistance	Center Contact	≤ 3mΩ	
	Outer Contact	≤ 2.5mΩ	
Insulation Resistance		≥ 5000MΩ	
Center Conductor Retention Force		≥ 0.28N	
Coupling Nut Retention Force		≥ 180N	
Insertion Loss		≤ 0.15dB / 6GHz	
Voltage Standing Wave Ratio	Straight	Flexible	≤ 1.10+0.02f
		Semi-Rigid	≤ 1.07+0.018f
	Right Angle	Flexible	≤ 1.20+0.03f
		Semi-Rigid	≤ 1.17+0.02f
Temperature Range		-55~+155°C (PE Cable -40~+85°C)	
Vibration		98m/S ² (10~2000Hz) 10g	
Durability		≥ 500 cycles	

Material & Plating			
Body		Brass	Gold Plated
Center Contact	Male	Brass	Gold Plated
	Female	Beryllium / Phosphorous Copper	Gold Plated
Insulator		PTFE	Natural

Quality Standard, Applicable Standards

MIL-C-39012

CECC 22110

IEC-60169-15

RoHS

SMA Male Straight Plug



Cable	Part Number	Cable	Part number
0.81mm	KM-011010-081	RG174 RG188 RG316 LMR100	KM-011010-316
1.13mm	KM-011010-113	LMR195 LMR200 RG58 RG142	KM-011010-58
1.32mm 1.37mm	KM-011010-137	RG213 LMR400	KM-011010-400
1.48mm	KM-011010-148	.141 semi rigid RG402	KM-011010-141
RG178 RG196	KM-011010-178	.250 semi rigid	KM-011010-250
RG55 RG223	KM-011010-223	.085 semi rigid RG405	KM-011010-085
LMR240	KM-011010-240	.047 semi rigid M17 M151	KM-011010-047

SMA Male Right Angle Plug



Cable	Part Number	Cable	Part number
0.81mm	KM-011057-081	RG174 RG188 RG316 LMR100	KM-011057-316
1.13mm	KM-011057-113	LMR195 LMR200 RG58 RG142	KM-011057-58
1.32mm 1.37mm	KM-011057-137	RG213 LMR400	KM-011057-400
1.48mm	KM-011057-148	.141 semi rigid RG402	KM-011057-141
RG178 RG196	KM-011057-178	.250 semi rigid	KM-011057-250
RG55 RG223	KM-011057-223	.085 semi rigid RG405	KM-011057-085
LMR240	KM-011057-240	.047 semi rigid M17 M151	KM-011057-047

RP SMA Straight Plug, SMA Male with Female Contact



Cable	Part Number	Cable	Part number
0.81mm	KM-010150-081	RG174 RG188 RG316 LMR100	KM-010150-316
1.13mm	KM-010150-113	LMR195 LMR200 RG58 RG142	KM-010150-58
1.32mm 1.37mm	KM-010150-137	RG213 LMR400	KM-010150-400
1.48mm	KM-010150-148	.141 semi rigid RG402	KM-010150-141
RG178 RG196	KM-010150-178	.250 semi rigid	KM-010150-250
RG55 RG223	KM-010150-223	.085 semi rigid RG405	KM-010150-085
LMR240	KM-010150-240	.047 semi rigid M17 M151	KM-010150-047

RP SMA Right Angle Plug, SMA Male with Female Contact



Cable	Part Number	Cable	Part number
0.81mm	KM-010107-081	RG174 RG188 RG316 LMR100	KM-010107-316
1.13mm	KM-010107-113	LMR195 LMR200 RG58 RG142	KM-010107-58
1.32mm 1.37mm	KM-010107-137	RG213 LMR400	KM-010107-400
1.48mm	KM-010107-148	.141 semi rigid RG402	KM-010107-141
RG178 RG196	KM-010107-178	.250 semi rigid	KM-010107-250
RG55 RG223	KM-010107-223	.085 semi rigid RG405	KM-010107-085
LMR240	KM-010107-240	.047 semi rigid M17 M151	KM-010107-047

SMA Male Straight Plug with 4 Holes Flange Mount, Stainless Steel



Cable	Part Number	Cable	Part number
0.81mm	KM-010153-081	RG174 RG188 RG316 LMR100	KM-010153-316
1.13mm	KM-010153-113	LMR195 LMR200 RG58 RG142	KM-010153-58
1.32mm 1.37mm	KM-010153-137	RG213 LMR400	KM-010153-400
1.48mm	KM-010153-148	.141 semi rigid RG402	KM-010153-141
RG178 RG196	KM-010153-178	.250 semi rigid	KM-010153-250
RG55 RG223	KM-010153-223	.085 semi rigid RG405	KM-010153-085
LMR240	KM-010153-240	.047 semi rigid M17 M151	KM-010153-047

SMA Female Bulkhead Straight Jack with O-ring



Cable	Part Number	Cable	Part number
0.81mm	KM-010119-081	RG174 RG188 RG316 LMR100	KM-010119-316
1.13mm	KM-010119-113	LMR195 LMR200 RG58 RG142	KM-010119-58
1.32mm 1.37mm	KM-010119-137	RG213 LMR400	KM-010119-400
1.48mm	KM-010119-148	.141 semi rigid RG402	KM-010119-141
RG178 RG196	KM-010119-178	.250 semi rigid	KM-010119-250
RG55 RG223	KM-010119-223	.085 semi rigid RG405	KM-010119-085
LMR240	KM-010119-240	.047 semi rigid M17 M151	KM-010119-047

SMA Female Bulkhead Straight Jack



Cable	Part Number	Cable	Part number
0.81mm	KM-011059-081	RG174 RG188 RG316 LMR100	KM-011059-316
1.13mm	KM-011059-113	LMR195 LMR200 RG58 RG142	KM-011059-58
1.32mm 1.37mm	KM-011059-137	RG213 LMR400	KM-011059-400
1.48mm	KM-011059-148	.141 semi rigid RG402	KM-011059-141
RG178 RG196	KM-011059-178	.250 semi rigid	KM-011059-250
RG55 RG223	KM-011059-223	.085 semi rigid RG405	KM-011059-085
LMR240	KM-011059-240	.047 semi rigid M17 M151	KM-011059-047

SMA Female Straight Jack



Cable	Part Number	Cable	Part number
0.81mm	KM-010123-081	RG174 RG188 RG316 LMR100	KM-010123-316
1.13mm	KM-010123-113	LMR195 LMR200 RG58 RG142	KM-010123-58
1.32mm 1.37mm	KM-010123-137	RG213 LMR400	KM-010123-400
1.48mm	KM-010123-148	.141 semi rigid RG402	KM-010123-141
RG178 RG196	KM-010123-178	.250 semi rigid	KM-010123-250
RG55 RG223	KM-010123-223	.085 semi rigid RG405	KM-010123-085
LMR240	KM-010123-240	.047 semi rigid M17 M151	KM-010123-047

SMA Female Jack for Panel Mount



Cable	Part Number	Cable	Part number
0.81mm	KM-010128-081	RG174 RG188 RG316 LMR100	KM-010128-316
1.13mm	KM-010128-113	LMR195 LMR200 RG58 RG142	KM-010128-58
1.32mm 1.37mm	KM-010128-137	RG213 LMR400	KM-010128-400
1.48mm	KM-010128-148	.141 semi rigid RG402	KM-010128-141
RG178 RG196	KM-010128-178	.250 semi rigid	KM-010128-250
RG55 RG223	KM-010128-223	.085 semi rigid RG405	KM-010128-085
LMR240	KM-010128-240	.047 semi rigid M17 M151	KM-010128-047

SMA Female Bulkhead Right Angle Jack



Cable	Part Number	Cable	Part number
0.81mm	KM-010101-081	RG174 RG188 RG316 LMR100	KM-010101-316
1.13mm	KM-010101-113	LMR195 LMR200 RG58 RG142	KM-010101-58
1.32mm 1.37mm	KM-010101-137	RG213 LMR400	KM-010101-400
1.48mm	KM-010101-148	.141 semi rigid RG402	KM-010101-141
RG178 RG196	KM-010101-178	.250 semi rigid	KM-010101-250
RG55 RG223	KM-010101-223	.085 semi rigid RG405	KM-010101-085
LMR240	KM-010101-240	.047 semi rigid M17 M151	KM-010101-047

SMA Female Straight Jack with Stainless Steel Material



Cable	Part Number	Cable	Part number
0.81mm	KM-010156-081	RG174 RG188 RG316 LMR100	KM-010156-316
1.13mm	KM-010156-113	LMR195 LMR200 RG58 RG142	KM-010156-58
1.32mm 1.37mm	KM-010156-137	RG213 LMR400	KM-010156-400
1.48mm	KM-010156-148	.141 semi rigid RG402	KM-010156-141
RG178 RG196	KM-010156-178	.250 semi rigid	KM-010156-250
RG55 RG223	KM-010156-223	.085 semi rigid RG405	KM-010156-085
LMR240	KM-010156-240	.047 semi rigid M17 M151	KM-010156-047

RP SMA Bulkhead Straight Jack, SMA Female with Male Contact



Cable	Part Number	Cable	Part number
0.81mm	KM-010142-081	RG174 RG188 RG316 LMR100	KM-010142-316
1.13mm	KM-010142-113	LMR195 LMR200 RG58 RG142	KM-010142-58
1.32mm 1.37mm	KM-010142-137	RG213 LMR400	KM-010142-400
1.48mm	KM-010142-148	.141 semi rigid RG402	KM-010142-141
RG178 RG196	KM-010142-178	.250 semi rigid	KM-010142-250
RG55 RG223	KM-010142-223	.085 semi rigid RG405	KM-010142-085
LMR240	KM-010142-240	.047 semi rigid M17 M151	KM-010142-047



SMA Male Straight Plug with 2 Holes Flange Mount, Micro-Strip Connector
Part Number: KM-010108



SMA Male Straight Plug with 2 Holes Flange Mount, Micro-Strip Connector
Material: Stainless Steel



SMA Female Straight Jack with 4 Holes Flange Mount, Micro-Strip Connector
Part Number: KM-010117



SMA Female Straight Jack with 4 Holes Flange Mount, Micro-Strip Connector
Material: Stainless Steel
Part Number: KM-010155



SMA Female Straight Jack with s Holes Flange Mount, Micro-Strip Connector
Part Number: KM-010117



SMA Male Straight Plug for Edge Mount

Part Number: KM-010103



SMA Male Straight Plug for PCB Mount

Part Number: KM-010110



SMA Female Straight Bulkhead Jack for PCB Mount

Part Number: KM-010146



SMA Female Straight Jack for PCB Mount

Part Number: KM-011008



SMA Female Straight Jack for Edge Mount

Part Number: KM-010145



SMA Female Straight Bulkhead Jack for Edge Mount

Part Number: KM-010138



SMA Female Right Angle Jack for PCB Mount

Part Number KM-010143



SMA Female Right Angle Bulkhead Jack for PCB Mount

Part Number: KM-010116



SMA Female Straight Jack for SMD

Part Number: KM-011015



SMA Female Right Angle Jack for SMD

Part Number: KM-010111



RP SMA Straight Jack for PCB Mount, SMA Female with Male Contact
Part Number: KM-010152



RP SMA Right Angle Jack for PCB Mount, SMA Female with Male Contact
Part Number: KM-010115

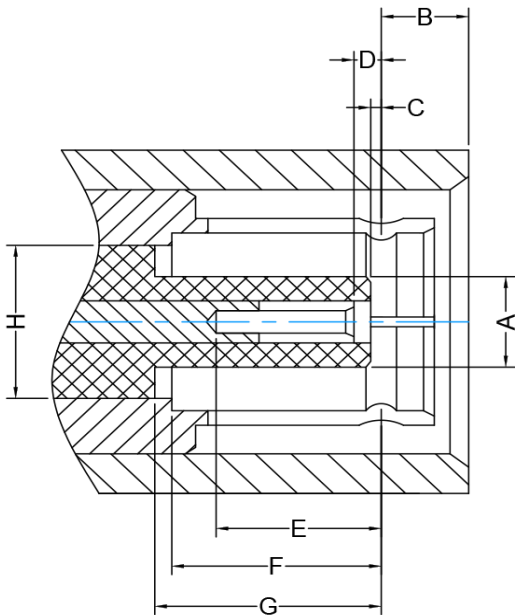


SMB Connector

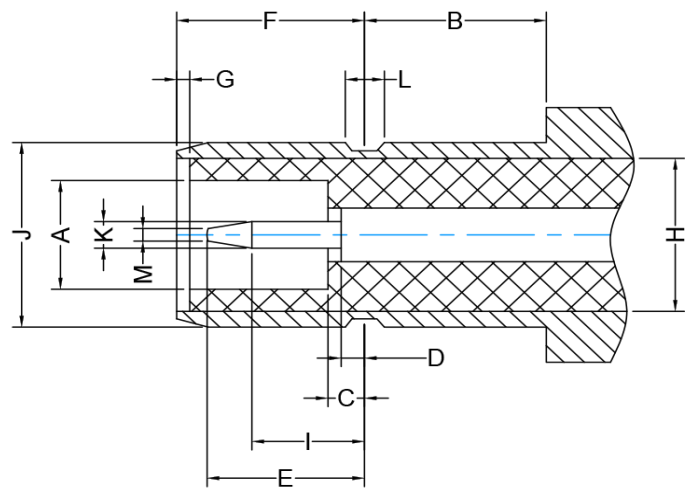
The SMB name derives from SubMiniature B (the second subminiature design). Developed in the 1960's, SMB connector is a smaller version of the SMA connector with snap-on coupling. SMB available in 50 Ω and 75 Ω impedance, the SMB provides broadband capability through 4 GHz with a snap-on connector design and utilizes die cast components on non-critical areas to provide a low-cost solution. It widely use in RF circuit of radio communication, test instrument, meter, TV station, base station and so on.

Interface Mating Dimensions

Male



Female



Male Pin Connector (unit: mm)

LTR.	Min.	Max.
A	-	2.06
B	-	1.63
C	0.18	-
D	0.18	0.94
E	2.97	-
F	3.58	-
G	3.58	-
H	3.05 nom.	

Female Pin Connector (unit: mm)

LTR.	Min.	Max.
A	2.08	-
B	1.65	-
C	-	0.18
D	-	0.18
E	-	2.97
F	3.33	3.58
G	0.00	-
H	3.05 nom.	
I	1.32	-
J	3.66	3.71
K	0.48	0.53
L	0.69	0.94
M	-	0.25

Technical Data

Major Characteristics		
Impedance		50Ω, 75Ω
Frequency Range		DC~4GHz (50Ω); DC~2GHz (75Ω)
Working Voltage		335V r.m.s. @ sea level
Withstanding Voltage		1000V r.m.s. @ sea level
Contact Resistance	Center Contact	≤ 6mΩ
	Outer Contact	≤ 1mΩ
Insulation Resistance		≥ 1000MΩ
Center Conductor Retention Force		≥ 0.28N
Engagement Force		8~63N
Disengagement Force		8~63N
Insertion Loss		0.3dB / 1.5GHz
Voltage Standing Wave Ratio	Straight	≤ 1.35 / 3GHz
	Right Angle	≤ 1.45 / 1GHz
Temperature Range		-55~+155°C (PE Cable -40~+85°C)
Durability		≥ 500 cycles

Material & Plating			
Body		Brass	Gold Plated
Center Contact	Male	Brass	Gold Plated
	Female	Beryllium / Phosphorous Copper	Gold Plated
Resilient Contact		Beryllium Copper	Gold Plated
Insulator		PTFE	Natural

Quality Standard, Applicable Standards

MIL-C-39012

CECC 22130

IEC-60169-10

RoHS

SMB (Female Center Contact) Straight Plug

Cable	Part Number	Cable	Part number
0.81mm	KM-010202-081	RG174 RG188 RG316 LMR100	KM-010202-316
1.13mm	KM-010202-113	LMR195 LMR200 RG58 RG142	KM-010202-58
1.32mm 1.37mm	KM-010202-137	.141 semi rigid RG402	KM-010202-141
1.48mm	KM-010202-148	.085 semi rigid RG405	KM-010202-085
RG178 RG196	KM-010202-178		

SMB (Female Center Contact) Right Angle Plug

Cable	Part Number	Cable	Part number
0.81mm	KM-010205-081	RG174 RG188 RG316 LMR100	KM-010205-316
1.13mm	KM-010205-113	LMR195 LMR200 RG58 RG142	KM-010205-58
1.32mm 1.37mm	KM-010205-137	.141 semi rigid RG402	KM-010205-141
1.48mm	KM-010205-148	.085 semi rigid RG405	KM-010205-085
RG178 RG196	KM-010205-178		

SMB (Male Center Contact) Straight Jack

Cable	Part Number	Cable	Part number
0.81mm	KM-010201-081	RG174 RG188 RG316 LMR100	KM-010201-316
1.13mm	KM-010201-113	LMR195 LMR200 RG58 RG142	KM-010201-58
1.32mm 1.37mm	KM-010201-137	.141 semi rigid RG402	KM-010201-141
1.48mm	KM-010201-148	.085 semi rigid RG405	KM-010201-085
RG178 RG196	KM-010201-178		

SMB (Male Center Contact) Straight Bulkhead Jack

Cable	Part Number	Cable	Part number
0.81mm	KM-010206-081	RG174 RG188 RG316 LMR100	KM-010206-316
1.13mm	KM-010206-113	LMR195 LMR200 RG58 RG142	KM-010206-58
1.32mm 1.37mm	KM-010206-137	.141 semi rigid RG402	KM-010206-141
1.48mm	KM-010206-148	.085 semi rigid RG405	KM-010206-085
RG178 RG196	KM-010206-178		

SMB (Male Center Contact) Straight Jack Front Mount

Cable	Part Number	Cable	Part number
0.81mm	KM-010212-081	RG174 RG188 RG316 LMR100	KM-010212-316
1.13mm	KM-010212-113	LMR195 LMR200 RG58 RG142	KM-010212-58
1.32mm 1.37mm	KM-010212-137	.141 semi rigid RG402	KM-010212-141
1.48mm	KM-010212-148	.085 semi rigid RG405	KM-010212-085
RG178 RG196	KM-010212-178		

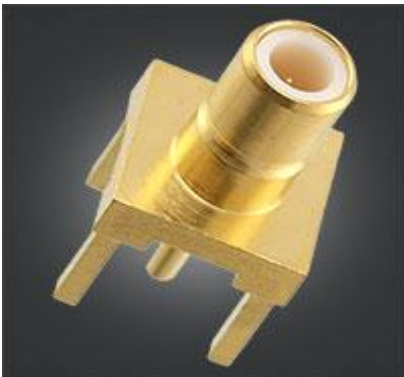
SMB (Male Center Contact) Right Angle Jack

Cable	Part Number	Cable	Part number
0.81mm	KM-010221-081	RG174 RG188 RG316 LMR100	KM-010221-316
1.13mm	KM-010221-113	LMR195 LMR200 RG58 RG142	KM-010221-58
1.32mm 1.37mm	KM-010221-137	.141 semi rigid RG402	KM-010221-141
1.48mm	KM-010221-148	.085 semi rigid RG405	KM-010221-085
RG178 RG196	KM-010221-178		



SMB (Female Center Contact) Right Angle Plug for PCB Mount

Part Number: KM-010215



SMB (Male Center Contact) Straight Jack for PCB Mount

Part Number: KM-010204



SMB (Female Center Contact) Straight Plug for PCB Mount

Part Number: KM-010220



SMB (Male Center Contact) Bulkhead Straight Jack for PCB Mount

Part Number: KM-010217



SMB (Male Center Contact) Straight Jack for SMD
Part Number: KM-010208



SMB (Male Center Contact) Right Angle Jack for PCB Mount
Part Number: KM-010207



SMB (Male Center Contact) Right Angle Bulkhead Jack for PCB Mount
Part Number: KM-010218

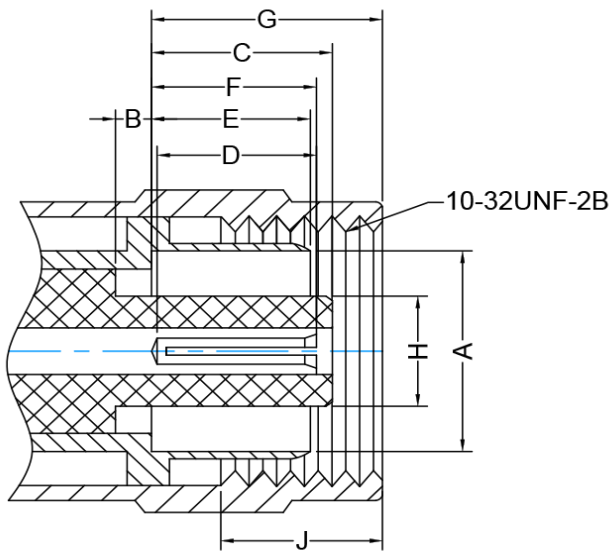


SMC Connector

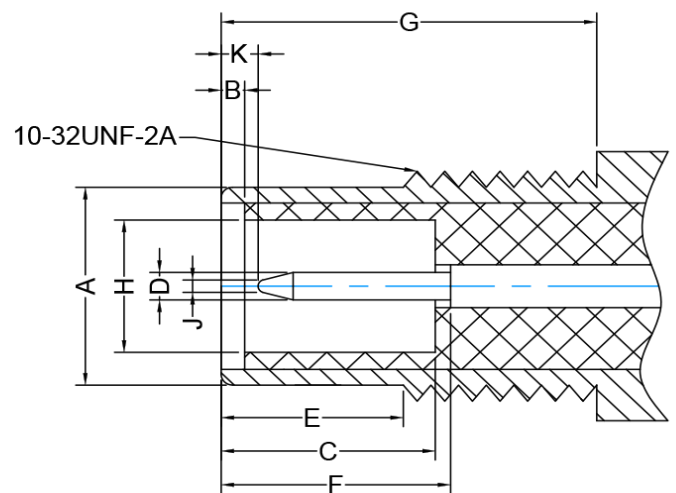
SMC (SubMiniature version C) connectors are coaxial RF connectors developed in the 1960s. They use a #10-32 UNF threaded interface (screw type) and are available in 50Ω impedances. They offer excellent electrical performance from DC to 6 GHz. The advantage of this connector is in small volume, reliable connection and great performance.

Interface Mating Dimensions

Male



Female



Male Pin Connector (unit: mm)

LTR.	Min.	Max.
A	3.73	-
B	0.00	-
C	-	3.40
D	2.79	-
E	-	3.10
F	2.85	3.40
G	-	5.92
H	-	2.06
J	2.79	-

Female Pin Connector (unit: mm)

LTR.	Min.	Max.
A	-	3.71
B	0.00	-
C	3.40	-
D	0.48	0.53
E	3.12	3.38
F	3.40	-
G	5.94	-
H	2.08	-
J	-	0.25
K	0.61	-

Technical Data

Major Characteristics		
Impedance		50Ω
Frequency Range		DC~6GHz
Working Voltage		335V r.m.s. @ sea level
Withstanding Voltage		1000V r.m.s. @ sea level
Contact Resistance	Center Contact	≤ 6mΩ
	Outer Contact	≤ 2.5mΩ
Insulation Resistance		≥ 5000MΩ
Center Conductor Retention Force		≥ 0.28N
Insertion Loss		≤ 0.24dB / 6GHz
Voltage Standing Wave Ratio	Straight	≤ 1.30 / 3GHz
	Right Angle	≤ 1.45 / 3GHz
Temperature Range		-55~+155°C (PE Cable -40~+85°C)
Durability		≥ 500 cycles

Material & Plating			
Body		Brass	Gold Plated
Center Contact	Male	Brass	Gold Plated
	Female	Beryllium / Phosphorous Copper	Gold Plated
Insulator		PTFE	Natural

Quality Standard, Applicable Standards

MIL-C-39012

CECC 22140

IEC-60169-9

DIN 47225

RoHS



SMC (Female Center Contact) Straight Plug

Cable	Part Number	Cable	Part number
0.81mm	KM-010301-081	RG178 RG196	KM-010301-178
1.13mm	KM-010301-113	RG174 RG188 RG316 LMR100	KM-010301-316
1.32mm 1.37mm	KM-010301-137	.141 semi rigid RG402	KM-010301-141
1.48mm	KM-010301-148	.085 semi rigid RG405	KM-010301-085



SMC (Female Center Contact) Straight Plug

Cable	Part Number	Cable	Part number
0.81mm	KM-010302-081	RG178 RG196	KM-010302-178
1.13mm	KM-010302-113	RG174 RG188 RG316 LMR100	KM-010302-316
1.32mm 1.37mm	KM-010302-137	.141 semi rigid RG402	KM-010302-141
1.48mm	KM-010302-148	.085 semi rigid RG405	KM-010302-085



SMC (Female Center Contact) Right Angle Plug

Cable	Part Number	Cable	Part number
0.81mm	KM-010303-081	RG178 RG196	KM-010303-178
1.13mm	KM-010303-113	RG174 RG188 RG316 LMR100	KM-010303-316
1.32mm 1.37mm	KM-010303-137	.141 semi rigid RG402	KM-010303-141
1.48mm	KM-010303-148	.085 semi rigid RG405	KM-010303-085



SMC (Male Center Contact) Straight Bulkhead Jack

Cable	Part Number	Cable	Part number
0.81mm	KM-010305-081	RG178 RG196	KM-010305-178
1.13mm	KM-010305-113	RG174 RG188 RG316 LMR100	KM-010305-316
1.32mm 1.37mm	KM-010305-137	.141 semi rigid RG402	KM-010305-141
1.48mm	KM-010305-148	.085 semi rigid RG405	KM-010305-085

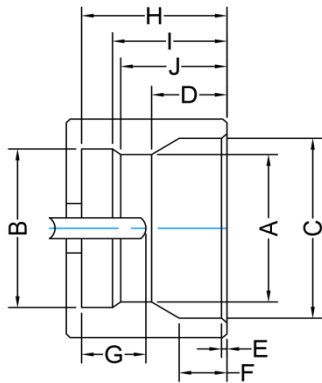
SMP Connector

The SMP interface is a sub-miniature interface in the same scale as MMCX connectors but offers a frequency range of DC to 40 GHz. It is commonly used in miniaturized high frequency coaxial modules and is offered in both push-on and snap-on mating styles.

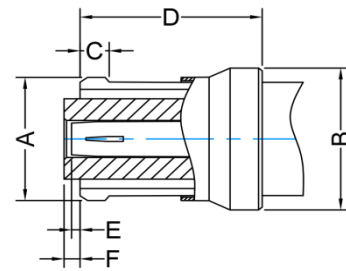
KeMy Electronic manufacture full series RF SMP connector, both jack and plug, straight and right angle, it has SMP cable type, SMP for PCB mount and SMP adaptor.

Interface Mating Dimensions

Male



Female



Male Pin Connector (unit: mm)

LTR.	Min.	Max.
A	2.90	3.00
B	3.15	3.23
C	3.55	3.65
D	1.40	1.45
E	0.08	0.18
F	0.84	0.94
G	0.89	1.78
H	2.75	2.85
I	2.18	2.28
J	1.98	2.08
K	1.40	1.45

Female Pin Connector (unit: mm)

LTR.	Min.	Max.
A	-	3.43
B	-	3.70
C	0.64	0.89
D	3.40	-
E	-0.12	0.00
F	-0.12	0.00

Note: Dim. B for full detent

Technical Data

Major Characteristics		
Impedance	50Ω	
Frequency Range	DC~12GHz	
Working Voltage	250V r.m.s. @ sea level	
Withstanding Voltage	500V r.m.s. @ sea level	
Contact Resistance	Center Contact	≤ 6mΩ
	Outer Contact	≤ 1.5mΩ
Insulation Resistance	≥ 5000MΩ	
Center Conductor Retention Force	≥ 0.57N	
Voltage Standing Wave Ratio	≤ 1.25 @ 6GHz	
	≤ 1.50 @ 12GHz	
Mating	Snap on coupling	
Temperature Range	-55~+155°C (PE Cable -40~+85°C)	
Durability	≥ 500 cycles	

Material & Plating			
Body		Brass, Beryllium Copper	Gold Plated
Center Contact	Male	Brass	Gold Plated
	Female	Beryllium Copper	Gold Plated
Insulator		PTFE	Natural

Quality Standard, Comply to Following

MIL-STD-202

RoHS



SMP Male Contact Straight Jack

Cable	Part number
RG178 RG196	KM-011201-178
RG174 RG188 RG316 LMR100	KM-011201-316
.047 semi rigid	KM-011201-047
.085 semi rigid RG405	KM-011201-085



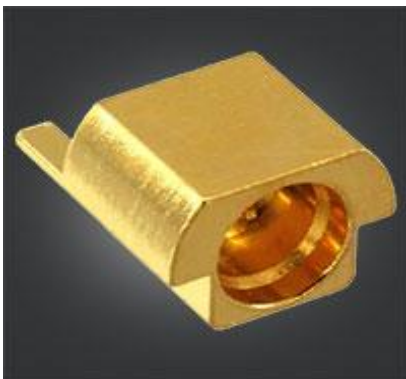
SMP Female Contact Straight Plug

Cable	Part number
RG178 RG196	KM-011202-178
RG174 RG188 RG316 LMR100	KM-011202-316
.047 semi rigid	KM-011202-047
.085 semi rigid RG405	KM-011202-085



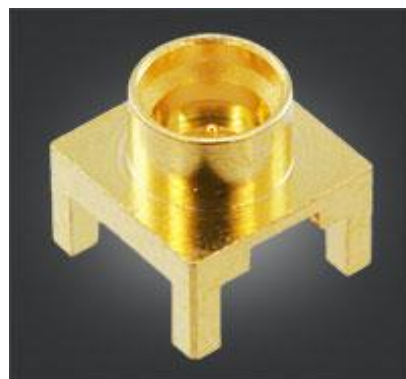
SMP Female Contact R/A Plug

Cable	Part number
RG178 RG196	KM-011206-178
RG174 RG188 RG316 LMR100	KM-011206-316
.047 semi rigid	KM-011206-047
.085 semi rigid RG405	KM-011206-085



SMP Male Straight Jack for Edge Mount, with Horizontal Pin

Part Number: KM-011203



SMP Male Contact Straight Jack for PCB mount

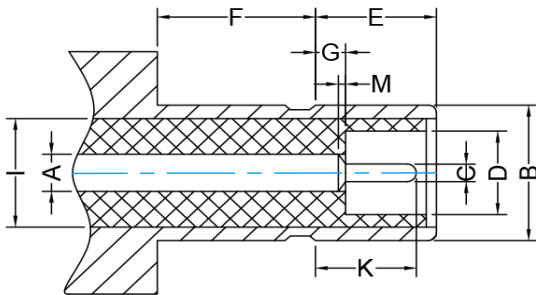
Part Number: KM-011205

SSMB Connector

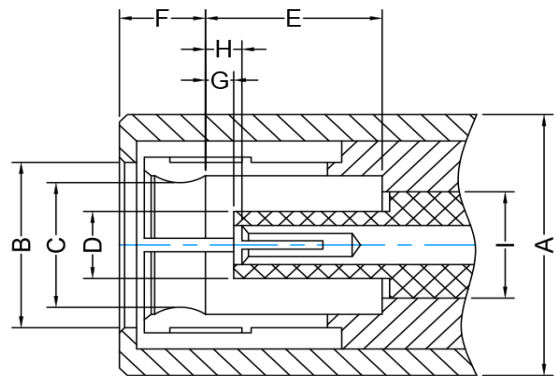
The SSMB connector is a small version of the standard SMB connector. The snap-on mating interface allows quick installation and dense packaging, the excellent electrical performance of the SSMB series allows it to be used in many applications. SSMB is suitable for the standard ranges of coaxial flexible cable and semi rigid cables and is also available in PCB and panel mount versions.

Interface Mating Dimensions

Male



Female



Male Pin Connector (unit: mm)

LTR.	Min.	Max.
A	-	-
B	2.69 nom.	
C	0.35	0.38
D	1.37	-
E	-	2.77
F	2.30	-
G	-	0.56
I	2.11 nom.	
K	-	2.44
M	0.00	0.13

Female Pin Connector (unit: mm)

LTR.	Min.	Max.
A	4.50	-
B	2.74	-
C	-	-
D	-	1.35
E	2.74	-
F	-	2.26
G	0.53	-
H	0.53	0.89
I	2.11 nom.	

Technical Data

Major Characteristics		
Impedance		50Ω
Frequency Range		DC~3GHz
Working Voltage		250V r.m.s. @ sea level
Withstanding Voltage		500V r.m.s. @ sea level
Contact Resistance	Center Contact	≤ 5mΩ
	Outer Contact	≤ 2.5mΩ
Insulation Resistance		≥ 1000MΩ
Center Conductor Retention Force		≥ 0.16N
Voltage Standing Wave Ratio		≤ 1.07
Temperature Range		-55~+155°C
Durability		≥ 500 cycles

Material & Plating			
Body		Brass	Gold Plated
Center Contact	Male	Brass / Tin Bronze	Gold Plated
	Female	Beryllium / Phosphorous Copper	Gold Plated
Insulator		PTFE	Natural

Quality Standard, Applicable Standards

MIL-C-39012

CECC 22170

IEC 60169-19

RoHS



SSMB (Female Center Contact) Straight Plug

Cable	Part Number	Cable	Part number
0.81mm	KM-011502-081	1.48mm	KM-011502-148
1.13mm	KM-011502-113	RG178 RG196	KM-011502-178
1.32mm 1.37mm	KM-011502-137	RG174 RG188 RG316 LMR100	KM-011502-316



SSMB (Female Center Contact) Right Angle Plug

Cable	Part Number	Cable	Part number
0.81mm	KM-011501-081	1.48mm	KM-011501-148
1.13mm	KM-011501-113	RG178 RG196	KM-011501-178
1.32mm 1.37mm	KM-011501-137	RG174 RG188 RG316 LMR100	KM-011501-316



SSMB (Male Center Contact) Right Angle Jack

Cable	Part Number	Cable	Part number
0.81mm	KM-011503-081	1.48mm	KM-011503-148
1.13mm	KM-011503-113	RG178 RG196	KM-011503-178
1.32mm 1.37mm	KM-011503-137	RG174 RG188 RG316 LMR100	KM-011503-316



MCX Connector

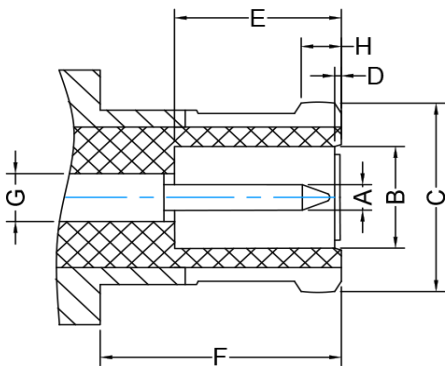
MCX (micro coaxial) connectors are coaxial RF connectors developed in the 1980s. They have the same inner contact and insulator dimensions as the SMB connector but are 30% smaller. MCX connector is standardized in European CECC 22220.

They use a snap-on interface and usually have a 50 Ω impedance (occasionally 75 Ω also) . They offer broadband capability from DC to 6 GHz. The contact surfaces are gold-plated.

This type of connector is used on the Apple Airport Extreme Base Station's external antenna port and requires an adapter for most antennas. MCX and the smaller MMCX connector are frequently used to connect external antennas to GPS receivers. They are also common on USB DVB-T tuners for computers and laptops, to connect an external antenna to the tuner.

Interface Mating Dimensions

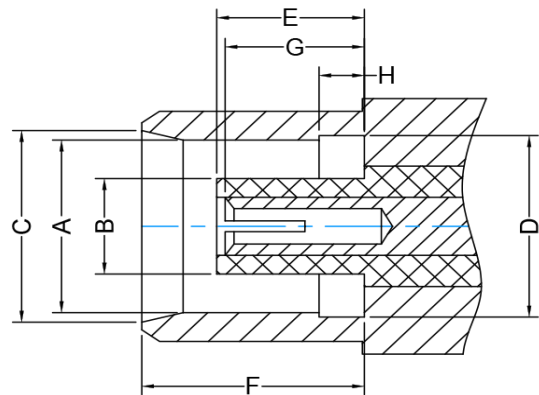
Male



Male Pin Connector (unit: mm)

LTR.	Min.	Max.
A	0.48	0.53
B	2.00	2.07
C	3.72	3.80
D	0.00	0.30
E	2.80	3.20
F	4.16	-
G	0.95 nom.	
H	0.70	0.75

Female



Female Pin Connector (unit: mm)

LTR.	Min.	Max.
A	3.42	3.48
B	1.80	1.98
C	3.80	-
D	3.61	3.76
E	2.61	2.79
F	4.00	4.12
G	2.31	2.79
H	0.75	0.85

Technical Data

Major Characteristics		
Impedance		50Ω, 75Ω
Frequency Range		DC~6GHz
Working Voltage		250V (50Ω) 170V (75Ω) @ sea level
Withstanding Voltage		750V (50Ω) 250V (75Ω) @ sea level
Contact Resistance	Center Contact	≤ 5mΩ
	Outer Contact	≤ 2.5mΩ
Insulation Resistance		≥ 1000MΩ
Center Conductor Retention Force		≥ 0.28N
Insertion Loss		≤ 0.18dB / 1GHz
Engagement Force		≤ 20N
Disengagement Force		≥ 8N
Voltage Standing Wave Ratio	Straight	≤ 1.20 / 1GHz
	Right Angle	≤ 1.45 / 1GHz
Temperature Range		-55~+155°C (PE Cable -40~+85°C)
Durability		≥ 500 cycles

Material & Plating			
Body		Brass	Gold Plated
Center Contact	Male	Brass or Tin Bronze	Gold Plated
	Female	Beryllium / Phosphorous Copper	Gold Plated
Resilient Contact		Beryllium Copper	Gold Plated
Insulator		PTFE	Natural

Quality Standard, Applicable Standards

CECC 22220

IEC-61169-36

RoHS



MCX Male Straight Plug

Cable	Part Number	Cable	Part number
0.81mm	KM-010903-081	RG174 RG188 RG316 LMR100	KM-010903-316
1.13mm	KM-010903-113	LMR195 LMR200 RG58 RG142	KM-010903-58
1.32mm 1.37mm	KM-010903-137	.141 semi rigid RG402	KM-010903-141
1.48mm	KM-010903-148	.085 semi rigid RG405	KM-010903-085
RG178 RG196	KM-010903-178		



MCX Male Right Angle Plug

Cable	Part Number	Cable	Part number
0.81mm	KM-010901-081	RG174 RG188 RG316 LMR100	KM-010901-316
1.13mm	KM-010901-113	LMR195 LMR200 RG58 RG142	KM-010901-58
1.32mm 1.37mm	KM-010901-137	.141 semi rigid RG402	KM-010901-141
1.48mm	KM-010901-148	.085 semi rigid RG405	KM-010901-085
RG178 RG196	KM-010901-178		



MCX Female Straight Jack

Cable	Part Number	Cable	Part number
0.81mm	KM-011034-081	RG174 RG188 RG316 LMR100	KM-011034-316
1.13mm	KM-011034-113	LMR195 LMR200 RG58 RG142	KM-011034-58
1.32mm 1.37mm	KM-011034-137	.141 semi rigid RG402	KM-011034-141
1.48mm	KM-011034-148	.085 semi rigid RG405	KM-011034-085
RG178 RG196	KM-011034-178		



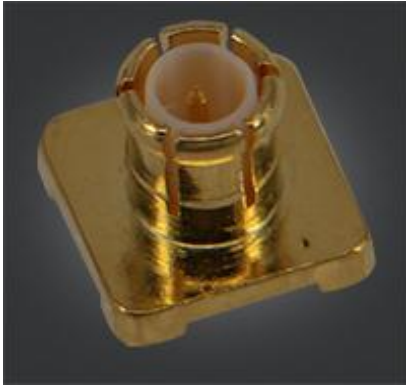
MCX Female Straight Bulkhead Jack

Cable	Part Number	Cable	Part number
0.81mm	KM-010902-081	RG174 RG188 RG316 LMR100	KM-010902-316
1.13mm	KM-010902-113	LMR195 LMR200 RG58 RG142	KM-010902-58
1.32mm 1.37mm	KM-010902-137	.141 semi rigid RG402	KM-010902-141
1.48mm	KM-010902-148	.085 semi rigid RG405	KM-010902-085
RG178 RG196	KM-010902-178		



MCX Female Right Angle Jack

Cable	Part Number	Cable	Part number
0.81mm	KM-010914-081	RG174 RG188 RG316 LMR100	KM-010914-316
1.13mm	KM-010914-113	LMR195 LMR200 RG58 RG142	KM-010914-58
1.32mm 1.37mm	KM-010914-137	.141 semi rigid RG402	KM-010914-141
1.48mm	KM-010914-148	.085 semi rigid RG405	KM-010914-085
RG178 RG196	KM-010914-178		



MCX Male Straight Plug for SMD

Part Number: KM-011040



MCX Male Straight Plug for PCB Mount

Part Number: KM-010911



MCX Male Right Angle Plug for SMD

Part Number: KM-011035



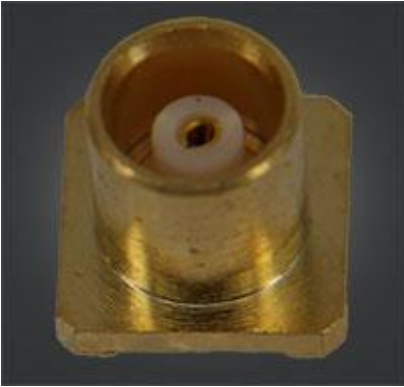
MCX Female Straight Jack for PCB Mount

Part Number: KM-010906

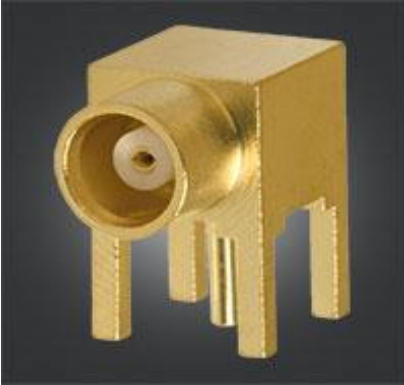


MCX Female Straight Jack for Edge Mount

Part Number: KM-010909



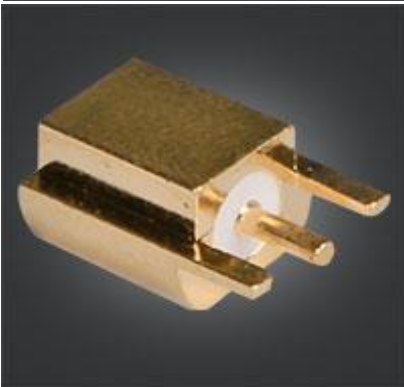
MCX Female Straight Jack for SMD
Part Number: KM-011011



MCX Female Right Angle Jack for PCB Mount
Part Number: KM-010907



MCX Female Right Angle Jack for SMD
Part Number: KM-010916



MCX Female Jack with Horizontal Pin for PCB Mount
Part Number: KM-010904



MCX Female Right Angle Jack for PCB Mount
Part Number: KM-010913

MMCX Connector

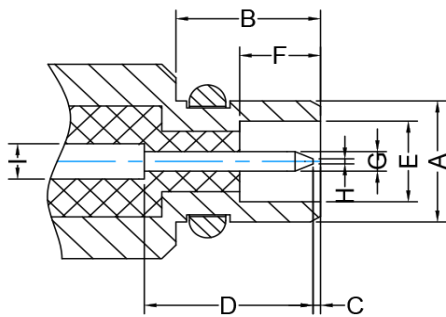
The MMCX series connectors is also called MicroMate™, it is a micro-miniature connector series with a lock-snap mechanism allowing for 360 degrees rotation enabling flexibility in PCB layouts. MMCX connectors conform to the European CECC 22000 specification.

The micromate family of products is a 6 GHz 50 Ω interconnect system. MMCX series connectors are available including MMCX Jack or Plug for PCB mount, MMCX for edge card, MMCX adaptor and MMCX cable connectors.

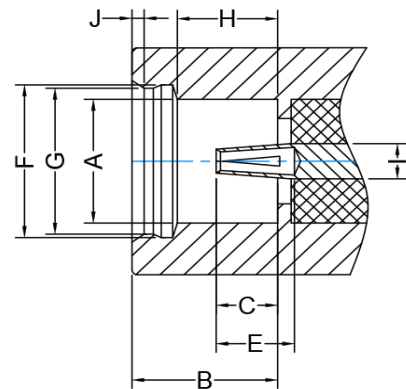
KeMy Electronic also manufacture MMCX cable assemblies, such as MMCX Male or female connector for 0.81mm/1.13mm/1.32mm/1.37mm, MMCX straight or right angle for RG178, MMCX for RG174/RG316, etc

Interface Mating Dimensions

Male



Female



Male Pin Connector (unit: mm)

LTR.	Min.	Max.
A	-	2.40
B	2.70	-
C	0.00	0.25
D	-	3.15
E	1.58	1.62
F	1.45	-
G	0.38	0.42
H	-	0.20
I	0.70 nom.	

Female Pin Connector (unit: mm)

LTR.	Min.	Max.
A	2.41	-
B	2.60	-
C	0.90	1.20
D	2.30	2.34
E	1.40	-
F	3.00	3.04
G	2.88	2.90
H	1.57	1.63
I	0.70 nom.	
J	-	0.23

MMCX Technical Data

Major Characteristics		
Impedance	50Ω	
Frequency Range	DC~6GHz	
Working Voltage	170V @ sea level	
Withstanding Voltage	500V @ sea level	
Contact Resistance	Center Contact	≤ 5mΩ
	Outer Contact	≤ 2.5mΩ
Insulation Resistance	≥ 1000MΩ	
Center Conductor Retention Force	≥ 0.28N	
Insertion Loss	≤ 0.18dB / 1GHz	
Engagement Force	≤ 15N	
Disengagement Force	≥ 6N	
Voltage Standing Wave Ratio	Straight	≤ 1.25 / 3GHz
	Right Angle	≤ 1.43 / 3GHz
Temperature Range	-55~+155°C (PE Cable -40~+85°C)	
Durability	≥ 500 cycles	

Material & Plating			
Body	Brass	Gold Plated	
Center Contact	Male	Brass or Beryllium Copper	Gold Plated
	Female	Beryllium / Phosphorous Copper	Gold Plated
Resilient Contact	Beryllium Copper	Gold Plated	
Insulator	PTFE	Natural	

Quality Standard, Applicable Standards

CECC 22340

RoHS



MMCX Male Straight Plug

Cable	Part Number	Cable	Part number
0.81mm	KM-011016-081	RG178 RG196	KM-011016-178
1.13mm	KM-011016-113	RG174 RG188 RG316 LMR100	KM-011016-316
1.32mm 1.37mm	KM-011016-137	.141 semi rigid RG402	KM-011016-141
1.48mm	KM-011016-148	.085 semi rigid RG405	KM-011016-085



MMCX Male Right Angle Plug

Cable	Part Number	Cable	Part number
0.81mm	KM-011048-081	RG178 RG196	KM-011048-178
1.13mm	KM-011048-113	RG174 RG188 RG316 LMR100	KM-011048-316
1.32mm 1.37mm	KM-011048-137	.141 semi rigid RG402	KM-011048-141
1.48mm	KM-011048-148	.085 semi rigid RG405	KM-011048-085



MMCX Female Straight Jack

Cable	Part Number	Cable	Part number
0.81mm	KM-011110-081	RG178 RG196	KM-011110-178
1.13mm	KM-011110-113	RG174 RG188 RG316 LMR100	KM-011110-316
1.32mm 1.37mm	KM-011110-137	.141 semi rigid RG402	KM-011110-141
1.48mm	KM-011110-148	.085 semi rigid RG405	KM-011110-085



MMCX Female Bulkhead Straight Jack

Cable	Part Number	Cable	Part number
0.81mm	KM-011101-081	RG178 RG196	KM-011101-178
1.13mm	KM-011101-113	RG174 RG188 RG316 LMR100	KM-011101-316
1.32mm 1.37mm	KM-011101-137	.141 semi rigid RG402	KM-011101-141
1.48mm	KM-011101-148	.085 semi rigid RG405	KM-011101-085



MMCX Male Straight Plug

Cable	Part Number	Cable	Part number
0.81mm	KM-011102-081	RG178 RG196	KM-011102-178
1.13mm	KM-011102-113	RG174 RG188 RG316 LMR100	KM-011102-316
1.32mm 1.37mm	KM-011102-137	.141 semi rigid RG402	KM-011102-141
1.48mm	KM-011102-148	.085 semi rigid RG405	KM-011102-085



MMCX Male Straight Plug for PCB Mount

Part Number: KM-011104



MMCX Male Straight Plug with Horizontal Pin for PCB Mount

Part Number: KM-011109



MMCX Female Straight Jack for PCB Mount

Part Number: KM-011108



MMCX Female Straight Jack for SMD

Part Number: KM-011107



MMCX Female Straight Jack with Horizontal Pin for PCB Mount

Part Number: KM-011105



MMCX Female Right Angle Jack for PCB Mount

Part Number: KM-011106



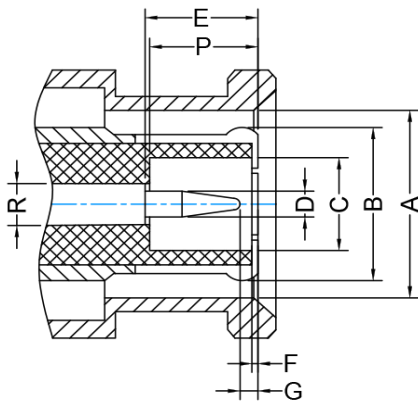
BNC Connector

The BNC connector (Bayonet Neill–Concelman) is a miniature quick connect/disconnect RF connector used for coaxial cable. It features two bayonet lugs on the female connector; mating is achieved with only a quarter turn of the coupling nut. BNC Connector commonly is used for 0~4GHz, but offer 11 GHz at max.

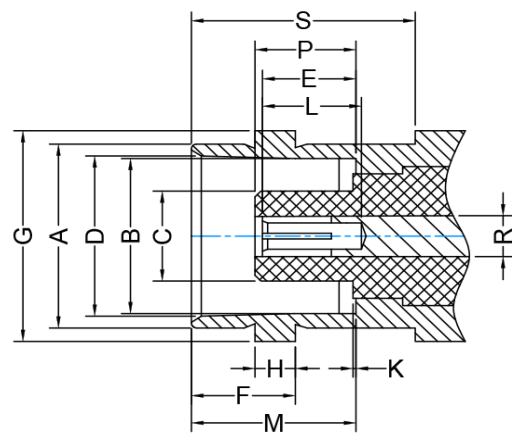
We produce BNC straight and right angle cable connectors, BNC PCB connectors, BNC panel mount connectors, BNC flange mount connectors, BNC adaptors.

Interface Mating Dimensions

Male



Female



Male Pin Connector (unit: mm)

LTR.	Min.	Max.
A	9.78	9.91
B	-	-
C	4.83	-
D	1.32	1.37
E	5.33	5.84
F	0.15	0.30
G	0.08	-
P	5.28	5.79
R	2.14 nom.	

Female Pin Connector (unit: mm)

LTR.	Min.	Max.
A	9.60	9.70
B	8.10	8.15
C	-	4.72
D	8.31	8.46
E	4.72	5.23
F	5.18	5.28
G	10.97	11.07
H	1.91	2.06
K	-	0.15
L	4.95	-
M	8.31	8.51
P	4.78	5.28
R	2.14 nom.	
S	10.52	-

Technical Data

Major Characteristics		
Impedance	50Ω, 75Ω	
Frequency Range	DC~4GHz	
Working Voltage	500V r.m.s @ sea level	
Withstanding Voltage	1500V @ sea level	
Contact Resistance	Center Contact	≤ 1.5mΩ
	Outer Contact	≤ 1mΩ
Insulation Resistance	≥ 5000MΩ	
Center Conductor Retention Force	≥ 0.57N	
Insertion Loss	≤ 0.20dB / 3GHz	
Voltage Standing Wave Ratio	Straight	≤ 1.22 / 3GHz
	Right Angle	≤ 1.30 / 3GHz
Temperature Range	-55~+155°C (PE Cable -40~+85°C)	
Durability	≥ 500 cycles	

Material & Plating			
Body		Brass	Nickel Plated
Center Contact	Male	Brass	Gold Plated
	Female	Beryllium / Phosphorous Copper	Gold Plated
Insulator		PTFE	Natural

Quality Standard, Applicable Standards

MIL-C-39012

CECC 22120

IEC 60169-8

RoHS



BNC Male Straight Plug

Cable	Part Number	Cable	Part number
1.32mm 1.37mm	KM-010402-137	RG174 RG188 RG316 LMR100	KM-010402-316
RG178 RG196	KM-010402-178	RG55 RG223	KM-010402-223
LMR240	KM-010402-240	LMR195 LMR200 RG58 RG142	KM-010402-58
LMR300	KM-010402-240	RG213 LMR400	KM-010402-400



BNC Male Straight Plug Clamp Type

Cable	Part Number	Cable	Part number
1.32mm 1.37mm	KM-010401-137	RG174 RG188 RG316 LMR100	KM-010401-316
RG178 RG196	KM-010401-178	RG55 RG223	KM-010401-223
LMR240	KM-010401-240	LMR195 LMR200 RG58 RG142	KM-010401-58
LMR300	KM-010401-240	RG213 LMR400	KM-010401-400



BNC Male Straight Plug Flange Mount

Cable	Part Number	Cable	Part number
1.32mm 1.37mm	KM-010421-137	RG174 RG188 RG316 LMR100	KM-010421-316
RG178 RG196	KM-010421-178	RG55 RG223	KM-010421-223
LMR240	KM-010421-240	LMR195 LMR200 RG58 RG142	KM-010421-58
LMR300	KM-010421-240	RG213 LMR400	KM-010421-400



BNC Male Right Angle Plug

Cable	Part Number	Cable	Part number
1.32mm 1.37mm	KM-010420-137	RG174 RG188 RG316 LMR100	KM-010420-316
RG178 RG196	KM-010420-178	RG55 RG223	KM-010420-223
LMR240	KM-010420-240	LMR195 LMR200 RG58 RG142	KM-010420-58
LMR300	KM-010420-240	RG213 LMR400	KM-010420-400



BNC Female Straight Jack

Cable	Part Number	Cable	Part number
1.32mm 1.37mm	KM-010410-137	RG174 RG188 RG316 LMR100	KM-010410-316
RG178 RG196	KM-010410-178	RG55 RG223	KM-010410-223
LMR240	KM-010410-240	LMR195 LMR200 RG58 RG142	KM-010410-58
LMR300	KM-010410-240	RG213 LMR400	KM-010410-400



BNC Female Bulkhead Jack with O-ring, BNC Waterproof

Cable	Part Number	Cable	Part number
1.32mm 1.37mm	KM-011017-137	RG174 RG188 RG316 LMR100	KM-011017-316
RG178 RG196	KM-011017-178	RG55 RG223	KM-011017-223
LMR240	KM-011017-240	LMR195 LMR200 RG58 RG142	KM-011017-58
LMR300	KM-011017-240	RG213 LMR400	KM-011017-400



BNC Female Bulkhead Straight Jack

Cable	Part Number	Cable	Part number
1.32mm 1.37mm	KM-010416-137	RG174 RG188 RG316 LMR100	KM-010416-316
RG178 RG196	KM-010416-178	RG55 RG223	KM-010416-223
LMR240	KM-010416-240	LMR195 LMR200 RG58 RG142	KM-010416-58
LMR300	KM-010416-240	RG213 LMR400	KM-010416-400



BNC Female Bulkhead Straight Jack Front Mount

Cable	Part Number	Cable	Part number
1.32mm 1.37mm	KM-010414-137	RG174 RG188 RG316 LMR100	KM-010414-316
RG178 RG196	KM-010414-178	RG55 RG223	KM-010414-223
LMR240	KM-010414-240	LMR195 LMR200 RG58 RG142	KM-010414-58
LMR300	KM-010414-240	RG213 LMR400	KM-010414-400



BNC Female Straight Jack Flange Mount

Cable	Part Number	Cable	Part number
1.32mm 1.37mm	KM-010403-137	RG174 RG188 RG316 LMR100	KM-010403-316
RG178 RG196	KM-010403-178	RG55 RG223	KM-010403-223
LMR240	KM-010403-240	LMR195 LMR200 RG58 RG142	KM-010403-58
LMR300	KM-010403-240	RG213 LMR400	KM-010403-400



RP BNC Straight Jack, BNC Female with Male Contact

Cable	Part Number	Cable	Part number
1.32mm 1.37mm	KM-010411-137	RG174 RG188 RG316 LMR100	KM-010411-316
RG178 RG196	KM-010411-178	RG55 RG223	KM-010411-223
LMR240	KM-010411-240	LMR195 LMR200 RG58 RG142	KM-010411-58
LMR300	KM-010411-240	RG213 LMR400	KM-010411-400



BNC Male Straight Plug Front Mount for Receptacle
Micro-Strip Connector

Part Number: KM-010417



BNC Female Bulkhead Straight Jack Front Mount
Micro-Strip Connector

Part Number: KM-010415



BNC Female Straight Jack for PCB Mount

Part Number: KM-010418



BNC Female Straight Bulkhead Jack for Edge Mount

Part Number: KM-010408



BNC Female Right Angle Bulkhead Jack for PCB Mount

Part Number: KM-010412



BNC Female Protect Cap, Anti Dust Cover



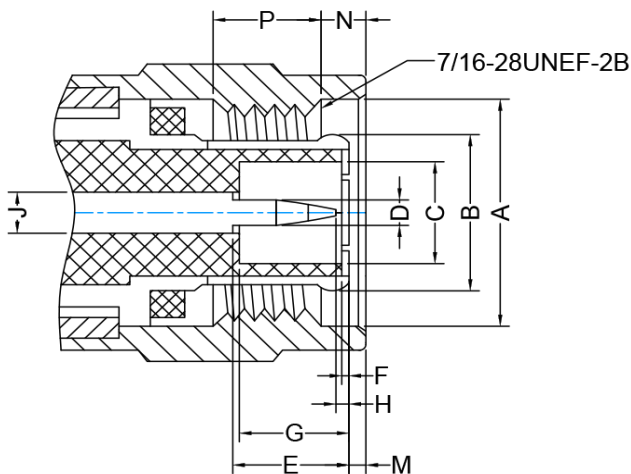
TNC Connector

The TNC connector (threaded Neill-Concelman) is a threaded version of the BNC connector. It's used for 0~4GHz (50 ohm) and 0~1GHz (75 ohm), but offers 11 GHz max. TNC connector has better performance than the BNC connector at microwave frequencies.

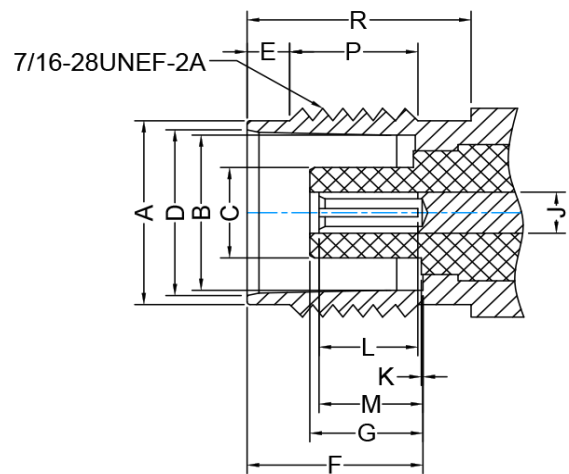
KeMy Technology produce various RF TNC connector (male and female, straight and right angle), such as TNC cable connectors, TNC PCB connectors, TNC Panel Mount connectors, TNC flange mount connector and TNC adaptors.

Interface Mating Dimensions

Male



Female



Male Pin Connector (unit: mm)

LTR.	Min.	Max.
A	11.18	-
B	-	8.18
C	4.83	-
D	1.32	1.37
E	5.33	5.84
F	0.15	-
G	5.28	5.79
H	0.08	-
J	2.14 nom.	
M	-	1.98
N	1.60	-
P	3.96	-

Female Pin Connector (unit: mm)

LTR.	Min.	Max.
A	9.60	9.70
B	8.10	8.15
C	-	4.72
D	8.31	8.46
E	1.73	2.24
F	8.31	8.51
G	4.78	5.28
J	2.14 nom.	
K	-	0.15
L	4.95	-
M	4.72	5.23
P	4.75	-
R	10.52	-

Technical Data

Major Characteristics		
Impedance	50Ω	
Frequency Range	DC~11GHz	
Working Voltage	500V r.m.s @ sea level	
Withstanding Voltage	1500V @ sea level	
Contact Resistance	Center Contact	≤ 10mΩ
	Outer Contact	≤ 2.5mΩ
Insulation Resistance	≥ 5000MΩ	
Center Conductor Retention Force	≥ 0.57N	
Insertion Loss	≤ 0.20dB	
Voltage Standing Wave Ratio	Straight	≤ 1.22 / 3GHz
	Right Angle	≤ 1.30 / 3GHz
Temperature Range	-55~+155°C (PE Cable -40~+85°C)	
Durability	≥ 500 cycles	

Material & Plating			
Body		Brass	Nickel Plated
Center Contact	Male	Brass	Gold Plated
	Female	Beryllium / Phosphorous Copper	Gold Plated
Insulator		PTFE	Natural

Quality Standard, Applicable Standards

MIL-C-39012

CECC 22200

IEC 60169-17

RoHS



TNC Male Straight Plug

Cable	Part Number	Cable	Part number
1.32mm 1.37mm	KM-010503-137	RG174 RG188 RG316 LMR100	KM-010503-316
RG178 RG196	KM-010503-178	RG55 RG223	KM-010503-223
LMR240	KM-010503-240	LMR195 LMR200 RG58 RG142	KM-010503-58
LMR300	KM-010503-240	RG213 LMR400	KM-010503-400



TNC Male Straight Plug Clamp Type

Cable	Part Number	Cable	Part number
1.32mm 1.37mm	KM-010508-137	RG174 RG188 RG316 LMR100	KM-010508-316
RG178 RG196	KM-010508-178	RG55 RG223	KM-010508-223
LMR240	KM-010508-240	LMR195 LMR200 RG58 RG142	KM-010508-58
LMR300	KM-010508-240	RG213 LMR400	KM-010508-400



TNC Male Right Angle Plug

Cable	Part Number	Cable	Part number
1.32mm 1.37mm	KM-010504-137	RG174 RG188 RG316 LMR100	KM-010504-316
RG178 RG196	KM-010504-178	RG55 RG223	KM-010504-223
LMR240	KM-010504-240	LMR195 LMR200 RG58 RG142	KM-010504-58
LMR300	KM-010504-240	RG213 LMR400	KM-010504-400



RP TNC Straight Plug, Female Socket

Cable	Part Number	Cable	Part number
1.32mm 1.37mm	KM-010507-137	RG174 RG188 RG316 LMR100	KM-010507-316
RG178 RG196	KM-010507-178	RG55 RG223	KM-010507-223
LMR240	KM-010507-240	LMR195 LMR200 RG58 RG142	KM-010507-58
LMR300	KM-010507-240	RG213 LMR400	KM-010507-400



RP TNC Straight Plug Clamp type, Female Socket

Cable	Part Number	Cable	Part number
1.32mm 1.37mm	KM-010522-137	RG174 RG188 RG316 LMR100	KM-010522-316
RG178 RG196	KM-010522-178	RG55 RG223	KM-010522-223
LMR240	KM-010522-240	LMR195 LMR200 RG58 RG142	KM-010522-58
LMR300	KM-010522-240	RG213 LMR400	KM-010522-400



RP TNC Right Angle Plug, Female Socket

Cable	Part Number	Cable	Part number
1.32mm 1.37mm	KM-010506-137	RG174 RG188 RG316 LMR100	KM-010506-316
RG178 RG196	KM-010506-178	RG55 RG223	KM-010506-223
LMR240	KM-010506-240	LMR195 LMR200 RG58 RG142	KM-010506-58
LMR300	KM-010506-240	RG213 LMR400	KM-010506-400



TNC Female Straight Jack

Cable	Part Number	Cable	Part number
1.32mm 1.37mm	KM-010521-137	RG174 RG188 RG316 LMR100	KM-010521-316
RG178 RG196	KM-010521-178	RG55 RG223	KM-010521-223
LMR240	KM-010521-240	LMR195 LMR200 RG58 RG142	KM-010521-58
LMR300	KM-010521-240	RG213 LMR400	KM-010521-400



TNC Female Bulkhead Straight Jack with O-Ring

Cable	Part Number	Cable	Part number
1.32mm 1.37mm	KM-010511-137	RG174 RG188 RG316 LMR100	KM-010511-316
RG178 RG196	KM-010511-178	RG55 RG223	KM-010511-223
LMR240	KM-010511-240	LMR195 LMR200 RG58 RG142	KM-010511-58
LMR300	KM-010511-240	RG213 LMR400	KM-010511-400



IP67 Waterproof TNC Female Bulkhead Straight Jack

Cable	Part Number	Cable	Part number
1.32mm 1.37mm	KM-010401-137	RG174 RG188 RG316 LMR100	KM-010401-316
RG178 RG196	KM-010401-178	RG55 RG223	KM-010401-223
LMR240	KM-010401-240	LMR195 LMR200 RG58 RG142	KM-010401-58
LMR300	KM-010401-240	RG213 LMR400	KM-010401-400



TNC Female Bulkhead Straight Jack Front Mount

Cable	Part Number	Cable	Part number
1.32mm 1.37mm	KM-010516-137	RG174 RG188 RG316 LMR100	KM-010516-316
RG178 RG196	KM-010516-178	RG55 RG223	KM-010516-223
LMR240	KM-010516-240	LMR195 LMR200 RG58 RG142	KM-010516-58
LMR300	KM-010516-240	RG213 LMR400	KM-010516-400



TNC Female Straight Jack with 4 Holes Flange Mount

Cable	Part Number	Cable	Part number
1.32mm 1.37mm	KM-010524-137	RG174 RG188 RG316 LMR100	KM-010524-316
RG178 RG196	KM-010524-178	RG55 RG223	KM-010524-223
LMR240	KM-010524-240	LMR195 LMR200 RG58 RG142	KM-010524-58
LMR300	KM-010524-240	RG213 LMR400	KM-010524-400



TNC Female Bulkhead Right Angle Jack with O-Ring

Cable	Part Number	Cable	Part number
1.32mm 1.37mm	KM-010523-137	RG174 RG188 RG316 LMR100	KM-010523-316
RG178 RG196	KM-010523-178	RG55 RG223	KM-010523-223
LMR240	KM-010523-240	LMR195 LMR200 RG58 RG142	KM-010523-58
LMR300	KM-010523-240	RG213 LMR400	KM-010523-400



RP TNC Straight Jack , TNC Female with Male Contact

Cable	Part Number	Cable	Part number
1.32mm 1.37mm	KM-010502-137	RG174 RG188 RG316 LMR100	KM-010502-316
RG178 RG196	KM-010502-178	RG55 RG223	KM-010502-223
LMR240	KM-010502-240	LMR195 LMR200 RG58 RG142	KM-010502-58
LMR300	KM-010502-240	RG213 LMR400	KM-010502-400



TNC Female Straight Jack Front Mount for Receptacle Micro-Strip Connector

Part Number: KM-010108



TNC Female Straight Jack Flange Mount for Receptacle Micro-Strip Connector

Part Number: KM-010517



TNC Female Bulkhead Right Angle Jack For PCB Mount

Part Number: KM-010501



TNC Female Bulkhead Right Angle Jack with O-Ring For PCB Mount

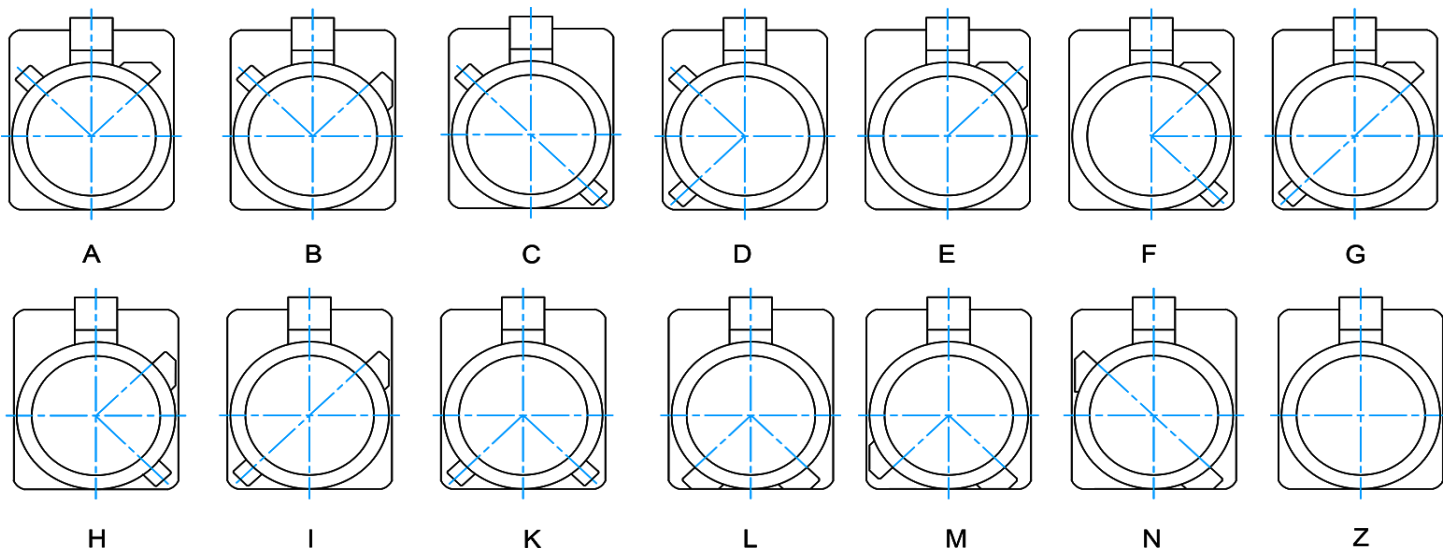
Part Number: KM-010514



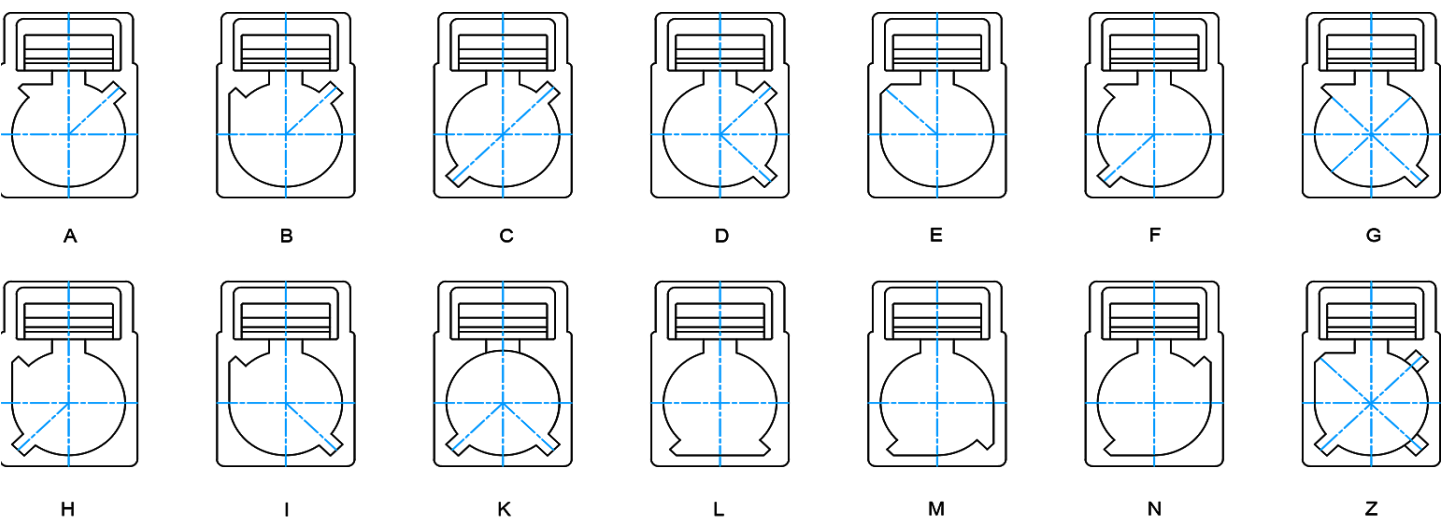
FAKRA Connector

FAKRA connectors are utilized within the automotive industry, it based on the SMB connector interface and comply with the standard for a uniform connector system established by FAKRA (Automobile Expert Group). Due to their special standard locking system FAKRA connectors fulfill the high functional and safety requirements of today's automotive industry. The FAKRA connector provides a mechanical key feature along with a visual color code to differentiate between applications, this connector is specified for 6 GHz.

Plug Keying Options



Plug Keying Options



Mechanical and color coding

Coding	Rib combination	Color		RAL No.
A	A - B1	Jet Black		9005
B	A - B2	Cream		9001
C	A - C	Signal Blue		5005
D	A - D	Claret Violet		4004
E	B1 - B2	Leaf Green		6002
F	B1 - C	Nut Brown		8011
G	B1 - D	Blue Grey		7031
H	B2 - C	Heather Violet		4003
I	B2 - D	Beige		1001
K	C - D	Curry		1027
L	H - J1	Carmine Red		3002
M	H - J2	Pastel Orange		3003
N	H - G1	Pastel Green		6019
Z	Neutral Coding	Water Blue		5021





Fakra SMB Code A Male Straight Plug, Jet Black Color

Cable	Part Number	Cable	Part number
0.81mm	KM-011401-A-081	RG178 RG196	KM-011401-A-178
1.13mm	KM-011401-A-113	RG174 RG188 RG316 LMR100	KM-011401-A-316
1.32mm 1.37mm	KM-011401-A-137	LMR195 LMR200 RG58 RG142	KM-011401-A-58



Fakra SMB Code C Male Straight Plug, Signal Blue Color

Cable	Part Number	Cable	Part number
0.81mm	KM-011401-C-081	RG178 RG196	KM-011401-C-178
1.13mm	KM-011401-C-113	RG174 RG188 RG316 LMR100	KM-011401-C-316
1.32mm 1.37mm	KM-011401-C-137	LMR195 LMR200 RG58 RG142	KM-011401-C-58



Fakra SMB Code D Male Straight Plug, Claret Violet Color

Cable	Part Number	Cable	Part number
0.81mm	KM-011401-D-081	RG178 RG196	KM-011401-D-178
1.13mm	KM-011401-D-113	RG174 RG188 RG316 LMR100	KM-011401-D-316
1.32mm 1.37mm	KM-011401-D-137	LMR195 LMR200 RG58 RG142	KM-011401-D-58



Fakra SMB Code E Male Straight Plug, Leaf Green Color

Cable	Part Number	Cable	Part number
0.81mm	KM-011401-E-081	RG178 RG196	KM-011401-E-178
1.13mm	KM-011401-E-113	RG174 RG188 RG316 LMR100	KM-011401-E-316
1.32mm 1.37mm	KM-011401-E-137	LMR195 LMR200 RG58 RG142	KM-011401-E-58



Fakra SMB Code F Male Straight Plug, Nut Brown Color

Cable	Part Number	Cable	Part number
0.81mm	KM-011401-F-081	RG178 RG196	KM-011401-F-178
1.13mm	KM-011401-F-113	RG174 RG188 RG316 LMR100	KM-011401-F-316
1.32mm 1.37mm	KM-011401-F-137	LMR195 LMR200 RG58 RG142	KM-011401-F-58



Fakra SMB Code G Male Straight Plug, Grey Color

Cable	Part Number	Cable	Part number
0.81mm	KM-011401-G-081	RG178 RG196	KM-011401-G-178
1.13mm	KM-011401-G-113	RG174 RG188 RG316 LMR100	KM-011401-G-316
1.32mm 1.37mm	KM-011401-G-137	LMR195 LMR200 RG58 RG142	KM-011401-G-58



Fakra SMB Code H Male Straight Plug, Heather Violet Color

Cable	Part Number	Cable	Part number
0.81mm	KM-011401-H-081	RG178 RG196	KM-011401-H-178
1.13mm	KM-011401-H-113	RG174 RG188 RG316 LMR100	KM-011401-H-316
1.32mm 1.37mm	KM-011401-H-137	LMR195 LMR200 RG58 RG142	KM-011401-H-58



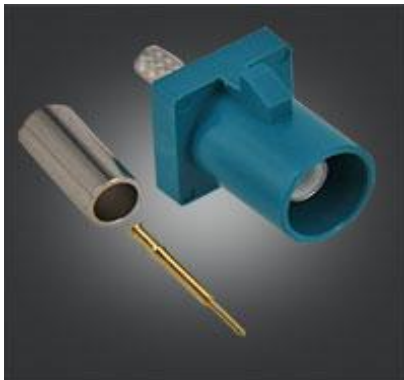
Fakra SMB Code I Male Straight Plug, Beige Color

Cable	Part Number	Cable	Part number
0.81mm	KM-011401-I-081	RG178 RG196	KM-011401-I-178
1.13mm	KM-011401-I-113	RG174 RG188 RG316 LMR100	KM-011401-I-316
1.32mm 1.37mm	KM-011401-I-137	LMR195 LMR200 RG58 RG142	KM-011401-I-58



Fakra SMB Code K Male Straight Plug, Curry Color

Cable	Part Number	Cable	Part number
0.81mm	KM-011401-K-081	RG178 RG196	KM-011401-K-178
1.13mm	KM-011401-K-113	RG174 RG188 RG316 LMR100	KM-011401-K-316
1.32mm 1.37mm	KM-011401-K-137	LMR195 LMR200 RG58 RG142	KM-011401-K-58



Fakra SMB Code Z Male Straight Plug, Water Blue Color

Cable	Part Number	Cable	Part number
0.81mm	KM-011401-Z-081	RG178 RG196	KM-011401-Z-178
1.13mm	KM-011401-Z-113	RG174 RG188 RG316 LMR100	KM-011401-Z-316
1.32mm 1.37mm	KM-011401-Z-137	LMR195 LMR200 RG58 RG142	KM-011401-Z-58



Fakra SMB Code A Male Straight Plug Flange Mount, Jet Black Color

Cable	Part Number	Cable	Part number
0.81mm	KM-011407-A-081	RG178 RG196	KM-011407-A-178
1.13mm	KM-011407-A-113	RG174 RG188 RG316 LMR100	KM-011407-A-316
1.32mm 1.37mm	KM-011407-A-137	LMR195 LMR200 RG58 RG142	KM-011407-A-58



Fakra SMB Code D Male Straight Plug Flange Mount, Claret Violet Color

Cable	Part Number	Cable	Part number
0.81mm	KM-011407-D-081	RG178 RG196	KM-011407-D-178
1.13mm	KM-011407-D-113	RG174 RG188 RG316 LMR100	KM-011407-D-316
1.32mm 1.37mm	KM-011407-D-137	LMR195 LMR200 RG58 RG142	KM-011407-D-58



Fakra SMB Code E Male Straight Plug Flange Mount, Leaf Green Color

Cable	Part Number	Cable	Part number
0.81mm	KM-011407-E-081	RG178 RG196	KM-011407-E-178
1.13mm	KM-011407-E-113	RG174 RG188 RG316 LMR100	KM-011407-E-316
1.32mm 1.37mm	KM-011407-E-137	LMR195 LMR200 RG58 RG142	KM-011407-E-58



Fakra SMB Code H Male Straight Plug Flange Mount, Heather Violet Color

Cable	Part Number	Cable	Part number
0.81mm	KM-011407-H-081	RG178 RG196	KM-011407-H-178
1.13mm	KM-011407-H-113	RG174 RG188 RG316 LMR100	KM-011407-H-316
1.32mm 1.37mm	KM-011407-H-137	LMR195 LMR200 RG58 RG142	KM-011407-H-58



Fakra SMB Code Z Male Straight Plug Flange Mount, Water Blue Color

Cable	Part Number	Cable	Part number
0.81mm	KM-011407-Z-081	RG178 RG196	KM-011407-Z-178
1.13mm	KM-011407-Z-113	RG174 RG188 RG316 LMR100	KM-011407-Z-316
1.32mm 1.37mm	KM-011407-Z-137	LMR195 LMR200 RG58 RG142	KM-011407-Z-58



Fakra SMB Code D Male Straight Plug Flange Mount, Claret Violet Color

Cable	Part Number	Cable	Part number
0.81mm	KM-011408-D-081	RG178 RG196	KM-011408-D-178
1.13mm	KM-011408-D-113	RG174 RG188 RG316 LMR100	KM-011408-D-316
1.32mm 1.37mm	KM-011408-D-137	LMR195 LMR200 RG58 RG142	KM-011408-D-58



Fakra SMB Code E Male Straight Plug Flange Mount, Leaf Green Color

Cable	Part Number	Cable	Part number
0.81mm	KM-011408-E-081	RG178 RG196	KM-011408-E-178
1.13mm	KM-011408-E-113	RG174 RG188 RG316 LMR100	KM-011408-E-316
1.32mm 1.37mm	KM-011408-E-137	LMR195 LMR200 RG58 RG142	KM-011408-E-58



Fakra SMB Code H Male Straight Plug Flange Mount, Heather Violet Color

Cable	Part Number	Cable	Part number
0.81mm	KM-011408-H-081	RG178 RG196	KM-011408-H-178
1.13mm	KM-011408-H-113	RG174 RG188 RG316 LMR100	KM-011408-H-316
1.32mm 1.37mm	KM-011408-H-137	LMR195 LMR200 RG58 RG142	KM-011408-H-58



Fakra SMB Code A Female Straight Jack, Jet Black Color

Cable	Part number
RG178 RG196	KM-011402-A-178
RG174 RG188 RG316 LMR100	KM-011402-A-316
LMR195 LMR200 RG58 RG142	KM-011402-A-58



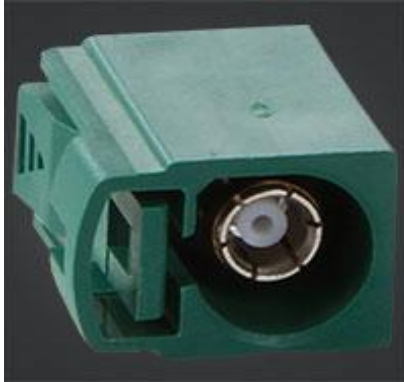
Fakra SMB Code C Female Straight Jack, Blue Color

Cable	Part number
RG178 RG196	KM-011402-C-178
RG174 RG188 RG316 LMR100	KM-011402-C-316
LMR195 LMR200 RG58 RG142	KM-011402-C-58



Fakra SMB Code D Female Straight Jack, Claret Violet Color

Cable	Part number
RG178 RG196	KM-011402-D-178
RG174 RG188 RG316 LMR100	KM-011402-D-316
LMR195 LMR200 RG58 RG142	KM-011402-D-58



Fakra SMB Code E Female Straight Jack, Leaf Green Color

Cable	Part number
RG178 RG196	KM-011402-E-178
RG174 RG188 RG316 LMR100	KM-011402-E-316
LMR195 LMR200 RG58 RG142	KM-011402-E-58



Fakra SMB Code F Female Straight Jack, Nut Brown Color

Cable	Part number
RG178 RG196	KM-011402-F-178
RG174 RG188 RG316 LMR100	KM-011402-F-316
LMR195 LMR200 RG58 RG142	KM-011402-F-58



Fakra SMB Code H Female Straight Jack, Heather Violet Color

Cable	Part number
RG178 RG196	KM-011402-H-178
RG174 RG188 RG316 LMR100	KM-011402-H-316
LMR195 LMR200 RG58 RG142	KM-011402-H-58



Fakra SMB Code I Female Straight Jack, Beige Color

Cable	Part number
RG178 RG196	KM-011402-I-178
RG174 RG188 RG316 LMR100	KM-011402-I-316
LMR195 LMR200 RG58 RG142	KM-011402-I-58



Fakra SMB Code Z Female Straight Jack, Water Blue Color

Cable	Part number
RG178 RG196	KM-011402-Z-178
RG174 RG188 RG316 LMR100	KM-011402-Z-316
LMR195 LMR200 RG58 RG142	KM-011402-Z-58



Fakra SMB Code A Female Straight Jack with Long House, Black Color

Cable	Part number
RG178 RG196	KM-011403-A-178
RG174 RG188 RG316 LMR100	KM-011403-A-316
LMR195 LMR200 RG58 RG142	KM-011403-A-58



Fakra SMB Code C Female Straight Jack with Long House, Signal Blue

Cable	Part number
RG178 RG196	KM-011403-C-178
RG174 RG188 RG316 LMR100	KM-011403-C-316
LMR195 LMR200 RG58 RG142	KM-011403-C-58



Fakra SMB Code D Female Straight Jack with Long House, Claret Violet

Cable	Part number
RG178 RG196	KM-011403-D-178
RG174 RG188 RG316 LMR100	KM-011403-D-316
LMR195 LMR200 RG58 RG142	KM-011403-D-58



Fakra SMB Code E Female Straight Jack with Long House, Leaf Green

Cable	Part number
RG178 RG196	KM-011403-E-178
RG174 RG188 RG316 LMR100	KM-011403-E-316
LMR195 LMR200 RG58 RG142	KM-011403-E-58



Fakra SMB Code F Female Straight Jack with Long House, Nut Brown

Cable	Part number
RG178 RG196	KM-011403-F-178
RG174 RG188 RG316 LMR100	KM-011403-F-316
LMR195 LMR200 RG58 RG142	KM-011403-F-58



Fakra SMB Code G Female Straight Jack with Long House, Grey

Cable	Part number
RG178 RG196	KM-011403-G-178
RG174 RG188 RG316 LMR100	KM-011403-G-316
LMR195 LMR200 RG58 RG142	KM-011403-G-58



Fakra SMB Code H Female Straight Jack with Long House, Heather Violet

Cable	Part number
RG178 RG196	KM-011403-H-178
RG174 RG188 RG316 LMR100	KM-011403-H-316
LMR195 LMR200 RG58 RG142	KM-011403-H-58



Fakra SMB Code I Female Straight Jack with Long House, Beige

Cable	Part number
RG178 RG196	KM-011403-I-178
RG174 RG188 RG316 LMR100	KM-011403-I-316
LMR195 LMR200 RG58 RG142	KM-011403-I-58



Fakra SMB Code K Female Straight Jack with Long House, Curry

Cable	Part number
RG178 RG196	KM-011403-K-178
RG174 RG188 RG316 LMR100	KM-011403-K-316
LMR195 LMR200 RG58 RG142	KM-011403-K-58



Fakra SMB Code Z Female Straight Jack with Long House, Water Blue

Cable	Part number
RG178 RG196	KM-011403-Z-178
RG174 RG188 RG316 LMR100	KM-011403-Z-316
LMR195 LMR200 RG58 RG142	KM-011403-Z-58



Fakra SMB Code B Female Right Angle Jack, Cream Color

Cable	Part number
RG178 RG196	KM-011404-B-178
RG174 RG188 RG316 LMR100	KM-011404-B-316
LMR195 LMR200 RG58 RG142	KM-011404-B-58



Fakra SMB Code C Female Right Angle Jack, Signal Blue

Cable	Part number
RG178 RG196	KM-011404-C-178
RG174 RG188 RG316 LMR100	KM-011404-C-316
LMR195 LMR200 RG58 RG142	KM-011404-C-58



Fakra SMB Code D Female Right Angle Jack, Claret Violet Color

Cable	Part number
RG178 RG196	KM-011404-D-178
RG174 RG188 RG316 LMR100	KM-011404-D-316
LMR195 LMR200 RG58 RG142	KM-011404-D-58



Fakra SMB Code E Female Right Angle Jack, Leaf Green Color

Cable	Part number
RG178 RG196	KM-011404-E-178
RG174 RG188 RG316 LMR100	KM-011404-E-316
LMR195 LMR200 RG58 RG142	KM-011404-E-58



Fakra SMB Code F Female Right Angle Jack, Nut Brown Color

Cable	Part number
RG178 RG196	KM-011404-F-178
RG174 RG188 RG316 LMR100	KM-011404-F-316
LMR195 LMR200 RG58 RG142	KM-011404-F-58



Fakra SMB Code H Female Right Angle Jack, Heather Violet Color

Cable	Part number
RG178 RG196	KM-011404-H-178
RG174 RG188 RG316 LMR100	KM-011404-H-316
LMR195 LMR200 RG58 RG142	KM-011404-H-58



Fakra SMB Code I Female Right Angle Jack, Beige Color

Cable	Part number
RG178 RG196	KM-011404-I-178
RG174 RG188 RG316 LMR100	KM-011404-I-316
LMR195 LMR200 RG58 RG142	KM-011404-I-58



Fakra SMB Code B Female Right Angle Jack, Cream Color

Cable	Part number
RG178 RG196	KM-011404-Z-178
RG174 RG188 RG316 LMR100	KM-011404-Z-316
LMR195 LMR200 RG58 RG142	KM-011404-Z-58



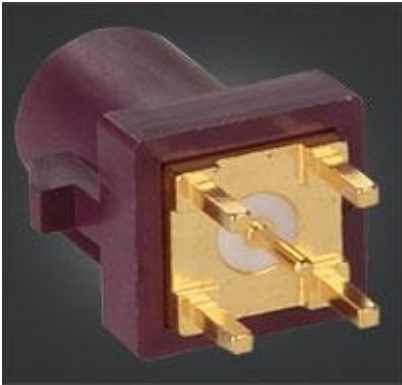
Fakra SMB Code A Male Straight Plug for PCB Mount, Black Color

Part Number: KM-011405-A



Fakra SMB Code C Male Straight Plug for PCB Mount, Signal Blue Color

Part Number: KM-011405-C



Fakra SMB Code D Male Straight Plug for PCB Mount, Claret Violet Color

Part Number: KM-011405-D



Fakra SMB Code E Male Straight Plug for PCB Mount, Leaf Green Color

Part Number: KM-011405-E



Fakra SMB Code H Male Straight Plug for PCB Mount, Heather Violet Color

Part Number: KM-011405-H



Fakra SMB Code Z Male Straight Plug for PCB Mount, Water Blue Color

Part Number: KM-011405-Z



Fakra SMB Code C Male Right Angle Plug for PCB Mount, Signal Blue Color

Part Number: KM-011406-C



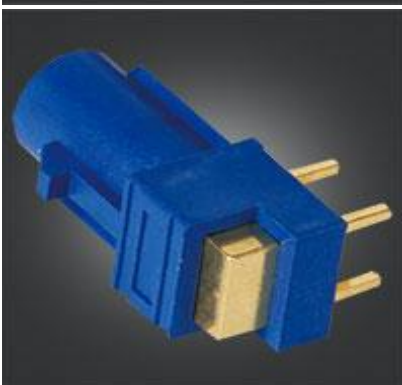
Fakra SMB Code G Male Right Angle Plug for PCB Mount, Grey Color

Part Number: KM-011406-G



Fakra SMB Code I Male Right Angle Plug for PCB Mount, Beige Color

Part Number: KM-011406-I



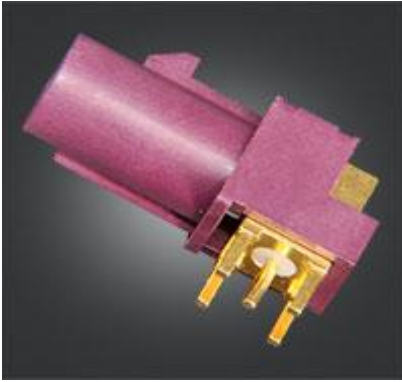
Fakra SMB Code C Male Right Angle Plug for PCB Mount, Signal Blue Color

Part Number: KM-011409-C



Fakra SMB Code F Male Right Angle Plug for PCB Mount, Nut Brown Color

Part Number: KM-011409-F



Fakra SMB Code H Male Right Angle Plug for PCB Mount, Heather Violet Color

Part Number: KM-011409-H



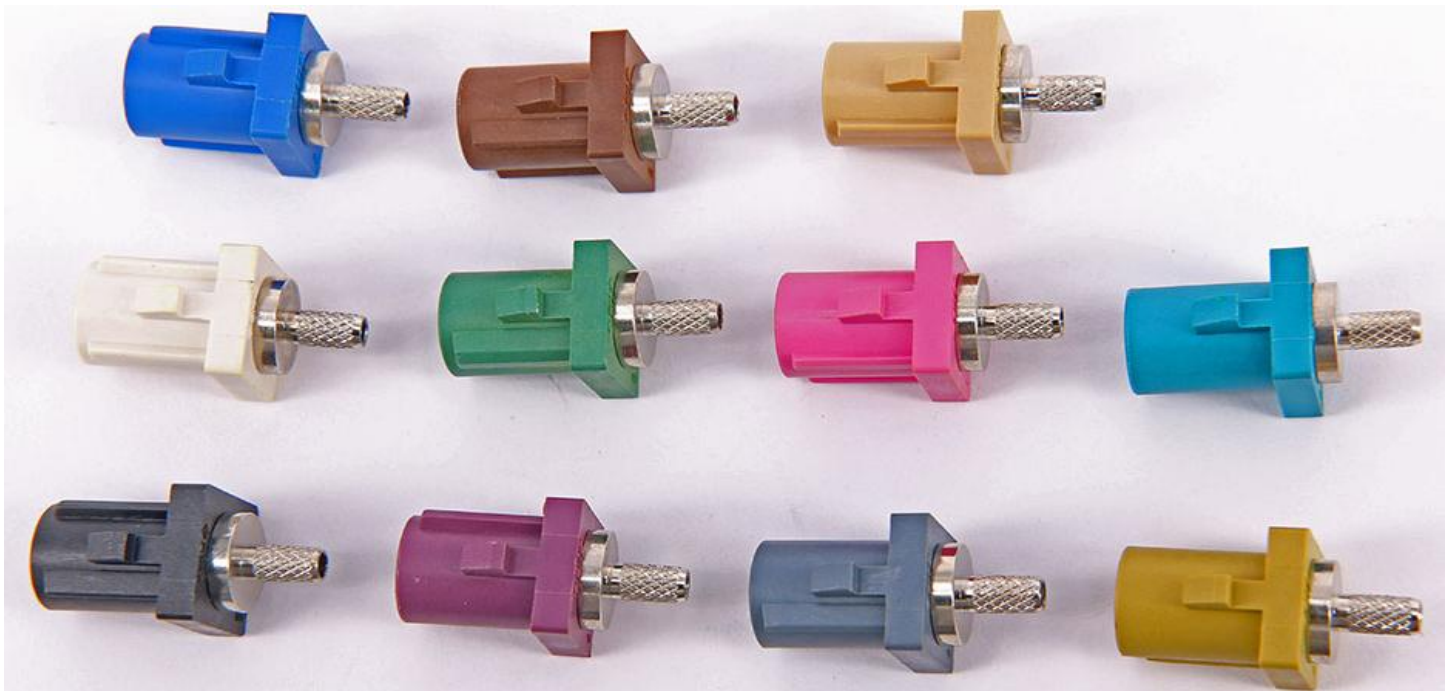
Fakra SMB Code E Male Right Angle Plug for PCB Mount, Leaf Green Color

Part Number: KM-011410-E



Fakra SMB Code H Male Right Angle Plug for PCB Mount, Heather Violet Color

Part Number: KM-011410-H



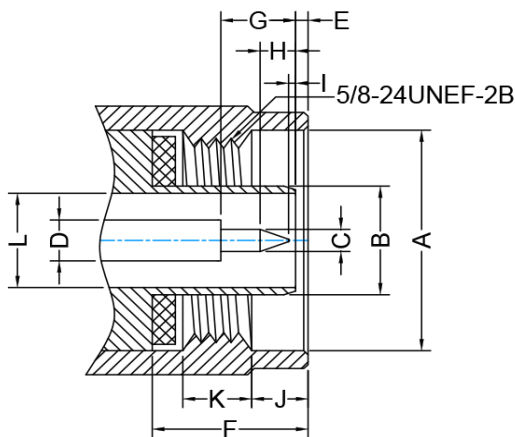
N Connector

N Connector is high reliability, great vibration performance, excellent mechanical and etc. They are used in connection with RF coaxial cable in radio instrument, communication equipment, microwave test and ground launch system at vibration and inclement weather circumstance.

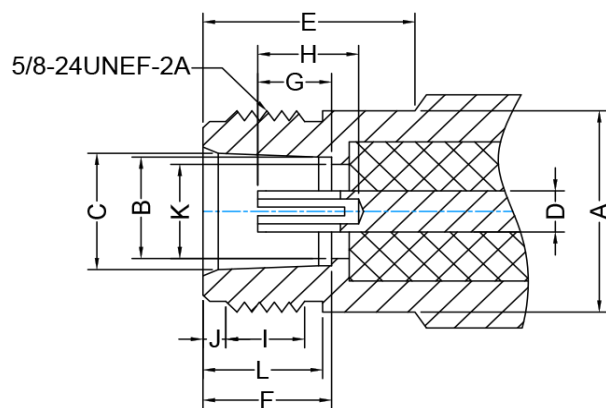
Assemble with Semi-Rigid or Semi-Flex cable, N connector with smaller VSWR, and the frequency can up to 11GHz

Interface Mating Dimensions

Male



Female



Male Pin Connector (unit: mm)

LTR.	Min.	Max.
A	16.00	-
B	8.05	8.10
C	1.64	1.67
D	3.04 nom.	
E	0.41	1.52
F	10.11	10.46
G	5.28	5.36
H	3.30	4.32
I	0.08	-
J	4.01	4.27
K	4.50	-
L	7.00 nom.	

Female Pin Connector (unit: mm)

LTR.	Min.	Max.
A	-	15.93
B	8.03	8.13
C	8.53	8.74
D	3.04 nom.	
E	10.72	-
F	9.05	9.19
G	5.18	5.26
H	5.33	-
I	4.37	-
J	1.19	1.96
L	7.00 nom.	
M	6.76	-

Technical Data

Major Characteristics		
Impedance	50Ω	
Frequency Range	DC~11GHz	
Working Voltage	500V r.m.s @ sea level	
Withstanding Voltage	1500V @ sea level	
Contact Resistance	Center Contact	≤ 10mΩ
	Outer Contact	≤ 2.5mΩ
Insulation Resistance	≥ 5000MΩ	
Center Conductor Retention Force	≥ 0.57N	
Insertion Loss	≤ 0.20dB	
Voltage Standing Wave Ratio	Straight	≤ 1.22 / 3GHz
	Right Angle	≤ 1.30 / 3GHz
Temperature Range	-55~+155°C (PE Cable -40~+85°C)	
Durability	≥ 500 cycles	

Material & Plating			
Body		Brass	Nickel Plated
Center Contact	Male	Brass	Gold Plated
	Female	Beryllium Copper / Tin Bronze	Gold Plated
Insulator		PTFE	Natural

Quality Standard, Applicable Standards

MIL-C-39012

CECC 22210

IEC 60169-16

RoHS

N Male Straight Plug



Cable	Part Number	Cable	Part number
1.32mm 1.37mm	KM-010601-137	RG174 RG188 RG316 LMR100	KM-010601-316
RG178 RG196	KM-010601-178	LMR195 LMR200 RG58 RG142	KM-010601-58
RG55 RG223	KM-010601-223	RG8 RG213 LMR400	KM-010601-400
LMR240	KM-010601-240	.141 semi rigid RG402	KM-010601-141
LMR300	KM-010601-300	.250 semi rigid	KM-010601-250
		.085 semi rigid RG405	KM-010601-085

N Male Straight Plug



Cable	Part Number	Cable	Part number
1.32mm 1.37mm	KM-010603-137	RG174 RG188 RG316 LMR100	KM-010603-316
RG178 RG196	KM-010603-178	LMR195 LMR200 RG58 RG142	KM-010603-58
RG55 RG223	KM-010603-223	RG8 RG213 LMR400	KM-010603-400
LMR240	KM-010603-240	.141 semi rigid RG402	KM-010603-141
LMR300	KM-010603-240	.250 semi rigid	KM-010603-250
		.085 semi rigid RG405	KM-010603-085

N Male Straight Plug Clamp Type



Cable	Part Number	Cable	Part number
1.32mm 1.37mm	KM-010608-137	RG174 RG188 RG316 LMR100	KM-010608-316
RG178 RG196	KM-010608-178	LMR195 LMR200 RG58 RG142	KM-010608-58
RG55 RG223	KM-010608-223	RG8 RG213 LMR400	KM-010608-400
LMR240	KM-010608-240	.141 semi rigid RG402	KM-010608-141
LMR300	KM-010608-300	.250 semi rigid	KM-010608-250
		.085 semi rigid RG405	KM-010608-085

N Male Right Angle Plug



Cable	Part Number	Cable	Part number
1.32mm 1.37mm	KM-010610-137	RG174 RG188 RG316 LMR100	KM-010610-316
RG178 RG196	KM-010610-178	LMR195 LMR200 RG58 RG142	KM-010610-58
RG55 RG223	KM-010610-223	RG8 RG213 LMR400	KM-010610-400
LMR240	KM-010610-240	.141 semi rigid RG402	KM-010610-141
LMR300	KM-010610-300	.250 semi rigid	KM-010610-250
		.085 semi rigid RG405	KM-010610-085

N Female Straight Jack



Cable	Part Number	Cable	Part number
1.32mm 1.37mm	KM-010602-137	RG174 RG188 RG316 LMR100	KM-010602-316
RG178 RG196	KM-010602-178	LMR195 LMR200 RG58 RG142	KM-010602-58
RG55 RG223	KM-010602-223	RG8 RG213 LMR400	KM-010602-400
LMR240	KM-010602-240	.141 semi rigid RG402	KM-010602-141
LMR300	KM-010602-300	.250 semi rigid	KM-010602-250
		.085 semi rigid RG405	KM-010602-085

N Female Bulkhead Straight Jack with O-ring, N Female Waterproof



Cable	Part Number	Cable	Part number
1.32mm 1.37mm	KM-011064-137	RG174 RG188 RG316 LMR100	KM-011064-316
RG178 RG196	KM-011064-178	LMR195 LMR200 RG58 RG142	KM-011064-58
RG55 RG223	KM-011064-223	RG8 RG213 LMR400	KM-011064-400
LMR240	KM-011064-240	.141 semi rigid RG402	KM-011064-141
LMR300	KM-011064-300	.250 semi rigid	KM-011064-250
		.085 semi rigid RG405	KM-011064-085

N Female Straight Jack Clamp Type



Cable	Part Number	Cable	Part number
1.32mm 1.37mm	KM-010612-137	RG174 RG188 RG316 LMR100	KM-010612-316
RG178 RG196	KM-010612-178	LMR195 LMR200 RG58 RG142	KM-010612-58
RG55 RG223	KM-010612-223	RG8 RG213 LMR400	KM-010612-400
LMR240	KM-010612-240	.141 semi rigid RG402	KM-010612-141
LMR300	KM-010612-300	.250 semi rigid	KM-010612-250
		.085 semi rigid RG405	KM-010612-085



N Female Straight Jack Flange Mount for Receptacle, Micro-Strip Connector
 Part Number: KM-010619

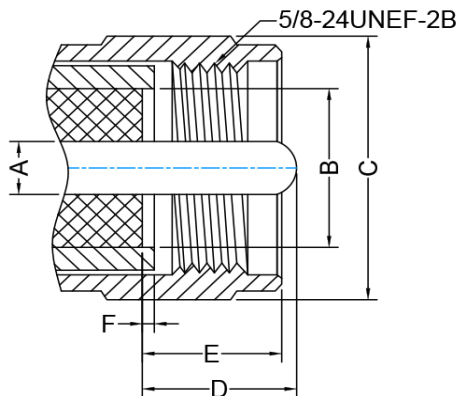
UHF Connector (SO239 / PL259)

UHF is an acronym for Ultra High Frequency because at the time 300MHz was considered high frequency, its feature a threaded coupling. UHF connector also called PL-259(Plug) and SO-239(Socket/Jack). UHF coaxial connectors are general purpose units developed for use in low frequency systems from 0.6 - 300 MHz, the impedance is variable.

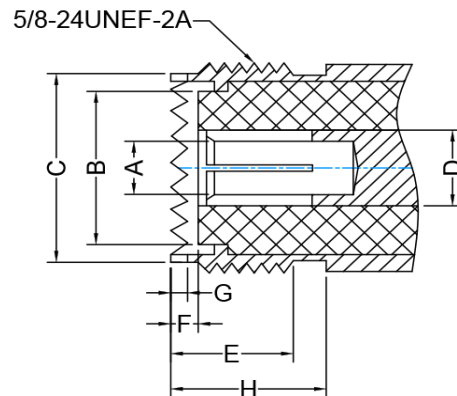
This product are very suitable for the civil wave band communication system, closed-circuit television, the car radio device etc.

Interface Mating Dimensions

Male



Female



Male Pin Connector (unit: mm)

LTR.	Min.	Max.
A	3.91	4.01
B	11.56	12.22
C	-	21.00
D	-	11.10
E	-	9.91
F	-	0.89

Female Pin Connector (unit: mm)

LTR.	Min.	Max.
A	4.04	-
B	11.56	12.22
C	14.00	14.25
D	-	-
E	7.90	-
F	1.02	-
G	0.89	-
H	11.10	-

Technical Data

Major Characteristics		
Impedance	Non-constant	
Frequency Range	DC~300MHz	
Working Voltage	750V r.m.s. @ sea level	
Withstanding Voltage	2000V r.m.s. @ sea level	
Contact Resistance	Center Contact	≤ 5mΩ
	Outer Contact	≤ 5mΩ
Insulation Resistance	≥ 5000MΩ	
Center Conductor Retention Force	≥ 1.1N	
Temperature Range	-40~+85°C	
Durability	≥ 500 cycles	

Material & Plating			
Body	Brass		Nickel Plated
Center Contact	Male	Brass	Gold or Silver Plated
	Female	Beryllium / Phosphorous Copper	Gold or Silver Plated
Insulator	PTFE		Natural

Quality Standard, Applicable Standards

IEC 60169-9

GB/T 15888

RoHS



UHF Male Straight Plug, PL259

Cable	Part number
RG174 RG188 RG316 LMR100	KM-011302-316
LMR195 LMR200 RG58 RG142	KM-011302-58
LMR240	KM-011302-240
LMR300	KM-011302-300
RG8 RG213 LMR400	KM-011302-400



N Male Straight Plug, PL259

Cable	Part number
RG174 RG188 RG316 LMR100	KM-011305-316
LMR195 LMR200 RG58 RG142	KM-011305-58
LMR240	KM-011305-240
LMR300	KM-011305-300
RG8 RG213 LMR400	KM-011305-400



IP67 Waterproof UHF Female Bulkhead Straight Jack with O-ring

Cable	Part number
RG174 RG188 RG316 LMR100	KM-011031-316
LMR195 LMR200 RG58 RG142	KM-011031-58
LMR240	KM-011031-240
LMR300	KM-011031-300
RG8 RG213 LMR400	KM-011031-400



UHF Female Straight Jack, SO239

Cable	Part number
RG174 RG188 RG316 LMR100	KM-011303-316
LMR195 LMR200 RG58 RG142	KM-011303-58
LMR240	KM-011303-240
LMR300	KM-011303-300
RG8 RG213 LMR400	KM-011303-400



N Female Bulkhead Straight Jack with O-ring, N Female Waterproof

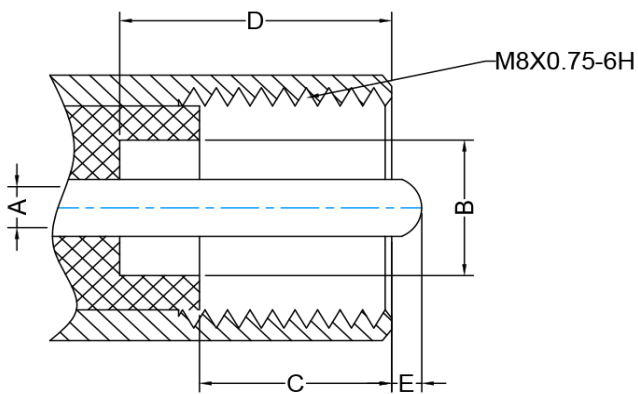
Cable	Part number
RG174 RG188 RG316 LMR100	KM-011304-316
LMR195 LMR200 RG58 RG142	KM-011304-58
LMR240	KM-011304-240
LMR300	KM-011304-300
RG8 RG213 LMR400	KM-011304-400

FME Connector

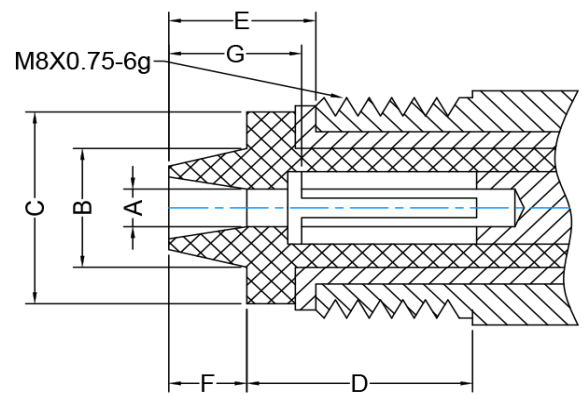
FME have another name called SAP connector, they are used in signal transmission with RF cable for all kinds of electronic instruments, mobile communications and antenna systems at the frequency of 3GHz

Interface Mating Dimensions

Male



Female



Male Pin Connector (unit: mm)

LTR.	Min.	Max.
A	1.25 nom	
B	4.70	-
C	6.40	-
D	9.00	-
E	0.00	1.00

Female Pin Connector (unit: mm)

LTR.	Min.	Max.
A	-	1.35
B	-	4.60
C	-	6.80
D	7.50	7.60
E	4.90	-
F	-	2.60
G	4.00	-

Technical Data

Major Characteristics		
Impedance		50Ω
Frequency Range		DC~3GHz
Working Voltage		500V r.m.s. @ sea level
Withstanding Voltage		1000V r.m.s. @ sea level
Contact Resistance	Center Contact	≤ 10mΩ
	Outer Contact	≤ 5mΩ
Insulation Resistance		≥ 5000MΩ
Center Conductor Retention Force		≥ 0.57N
Insertion Loss		≤ 0.20dB / 2GHz
Voltage Standing Wave Ratio	Straight	≤ 1.20
	Right Angle	≤ 1.25
Temperature Range		-55~+155°C (PE Cable -40~+85°C)
Durability		≥ 500 cycles

Material & Plating			
Body		Brass	Nickel Plated
center Contact	Male	Brass	Gold Plated
	Female	Beryllium / Phosphorous Copper	Gold Plated
Insulator		PTFE	Natural

Quality Standard, Applicable Standards

MIL-C-39012

CECC 22140

IEC-60169-9

DIN 47225

RoHS



FME Female Straight Jack

Cable	Part number
RG178 RG196	KM-010704-178
RG174 RG188 RG316 LMR100	KM-010704-316
LMR195 LMR200 RG58 RG142	KM-010704-58



FME Male Straight Plug

Cable	Part number
RG178 RG196	KM-010701-178
RG174 RG188 RG316 LMR100	KM-010701-316
LMR195 LMR200 RG58 RG142	KM-010701-58

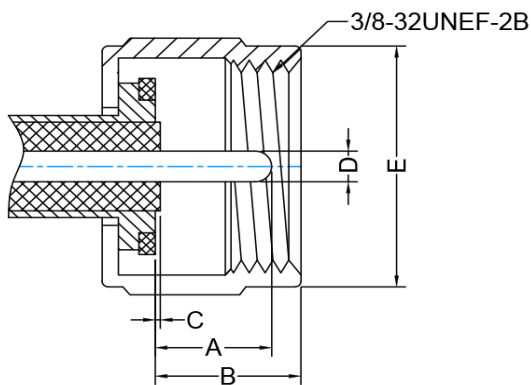


F Connector

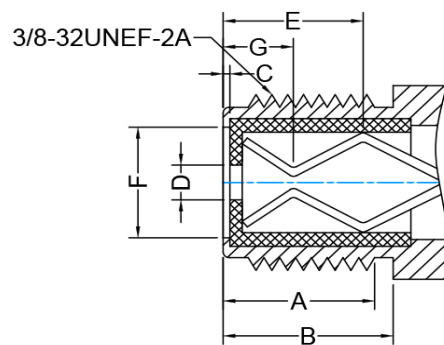
F type connector is typical used for 75Ω coaxial cable, especially for CATV, broadcast television network, closed-circuit television and so on. Its screw coupling, insert and close conveniently, with stable performance and low cost.

Interface Mating Dimensions

Male



Female



Male Pin Connector (unit: mm)

LTR.	Min.	Max.
A	4.95	6.86
B	-	7.29
C	-	0.25
D	0.51	1.63
E	-	12.95

Female Pin Connector (unit: mm)

LTR.	Min.	Max.
A	5.56	-
B	7.59	-
C	0.30	-
D	-	-
E	7.00	-
F	3.86	-
G	-	4.70

Technical Data

Major Characteristics		
Impedance		75Ω
Frequency Range		DC~1GHz
Working Voltage		170V r.m.s. @ sea level
Withstanding Voltage		500V r.m.s. @ sea level
Contact Resistance	Center Contact	≤ 10mΩ
	Outer Contact	≤ 5mΩ
Insulation Resistance		≥ 1000MΩ
Center Conductor Retention Force		≥ 0.2N
Insertion Loss		≤ 0.20dB / 2GHz
Voltage Standing Wave Ratio	Straight	≤ 1.20
	Right Angle	≤ 1.30
Temperature Range		-40~+60°C
Durability		≥ 500 cycles

Material & Plating			
Body		Brass	Nickel Plated
Center Contact	Male	Brass	Gold or Silver Plated
	Female	Brass	Gold or Silver Plated
Insulator		PTFE or PE	Natural

Quality Standard, Applicable Standards

IEC 60169-24

RoHS



F Male Straight Plug

Cable	Part number
RG179	KM-010801-179
RG59	KM-010801-59
RG6	KM-010801-6



F Female Straight Jack

Cable	Part number
RG179	KM-010804-179
RG59	KM-010804-59
RG6	KM-010804-6



F Male Straight Compression Plug for RG6, Waterproof Connector

Part Number: KM-010805



F Female Straight Bulkhead Jack for PCB Mount

Part Number: KM-010803



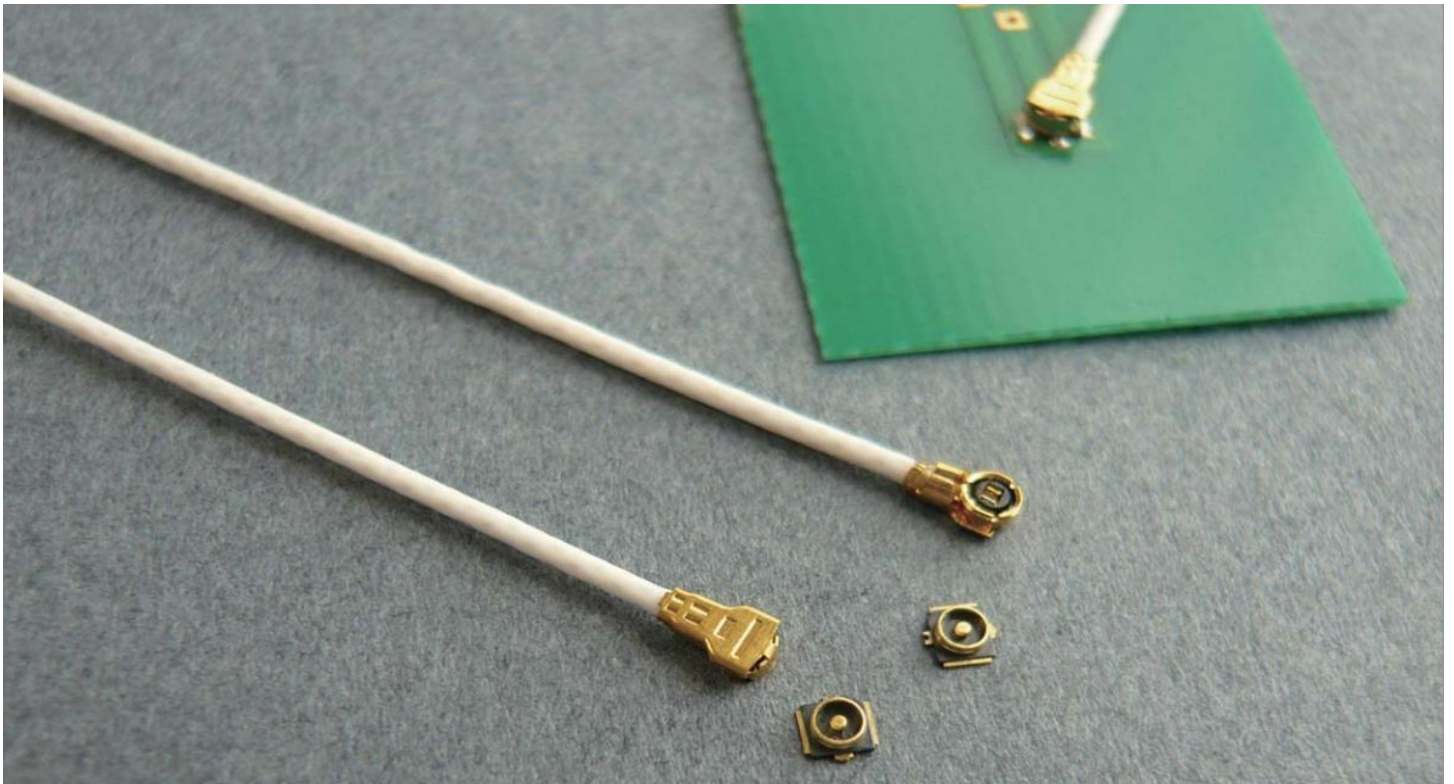
MHF / IPEX Series

MHF/ IPX connector is made by I-PEX, and is equivalent to Hirose U.FL connector. IPEX/ MHF ultra small coaxial connector can be attached to 0.81mm, 1.13mm, 1.32mm, 1.37mm and RG178.

IPEX/ MHF cable assembly and IPEX MHF receptacle are commonly used in space limited device like PDA, Laptop computer, Smart phone, Game device.

Compare with Hirose U.FL, IPEX/ MHF connector having same working performance, 100% compatible to all U.FL interfaces, but much lower cost and shorter lead time, IPEX MHF cable has been commonly accepted and used for its advantage.

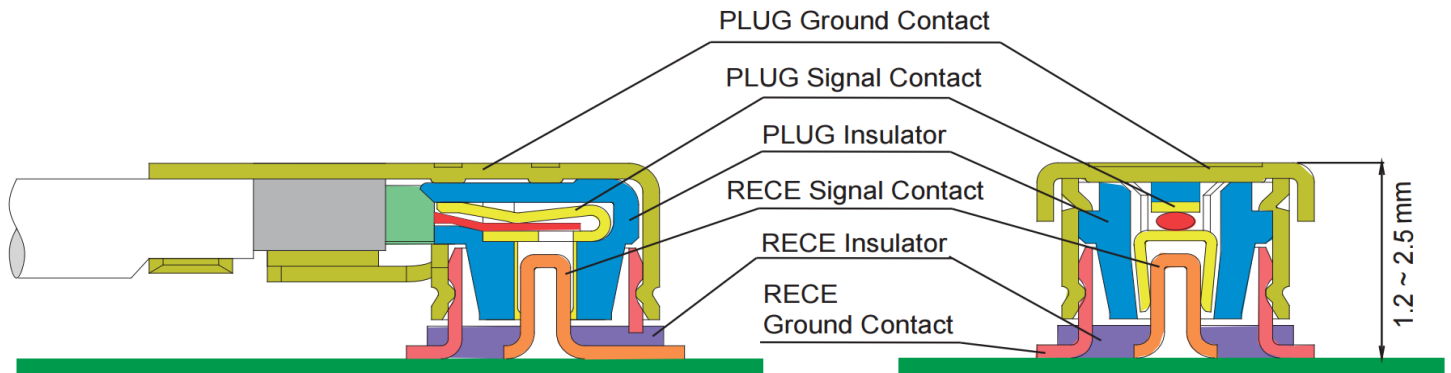
KeMy Electronic distribute full series of IPEX Series MHF product with competitive price.



Key Feature

- * SMT Receptacle and Cable Plug Connector
- * Super low profile: 1.2mm MAX. mating profile
- * Applicable Cable:
Φ0.64mm / 0.81mm / 0.95mm / 1.13mm / 1.32mm / 1.37mm and 1.80mm coaxial cable
- * High productivity and stable performance
- * Applicable Technology:
IEEE802.11 a/b/g/n, WiMAX, Zigbee, Bluetooth, MIMO, etc.

【Product Mechanism】



Mating Profile	Product name	Plug P/N	Receptacle P/N	Applicable Cable Gauge
2.5mm (Max.)	MHF	20278-112R-08	20279-001E-01 (3 pad) 20441-001E-01 (4 pad)	AWG36(Φ0.81mm)
		20278-112R-13		AWG32(Φ1.13mm)
		20278-112R-32		AWG32(Φ1.32mm)
		20278-112R-18		AWG30(Φ1.80mm)
		20351-112R-37		AWG30 (Φ1.37mm)
2.1mm (Max.)	MHF II	20311-011R-08	20369-001E	AWG36(Φ0.81mm)
		20311-011R-10		AWG33(Φ0.95mm)
1.6mm (MAX.)	MHF III	20367-001R	20369-001E	AWG36(Φ0.64 / Φ0.81mm)
1.45mm (MAX.)	MHF-A13	20425-001R	20429-001E	AWG32(Φ1.13mm)
1.2mm (MAX.)	MHF 4	20448-001R-081	20449-001E	AWG36(Φ0.81mm)
	MHF4 SMT Plug	20462-001E		FPC

Specifications

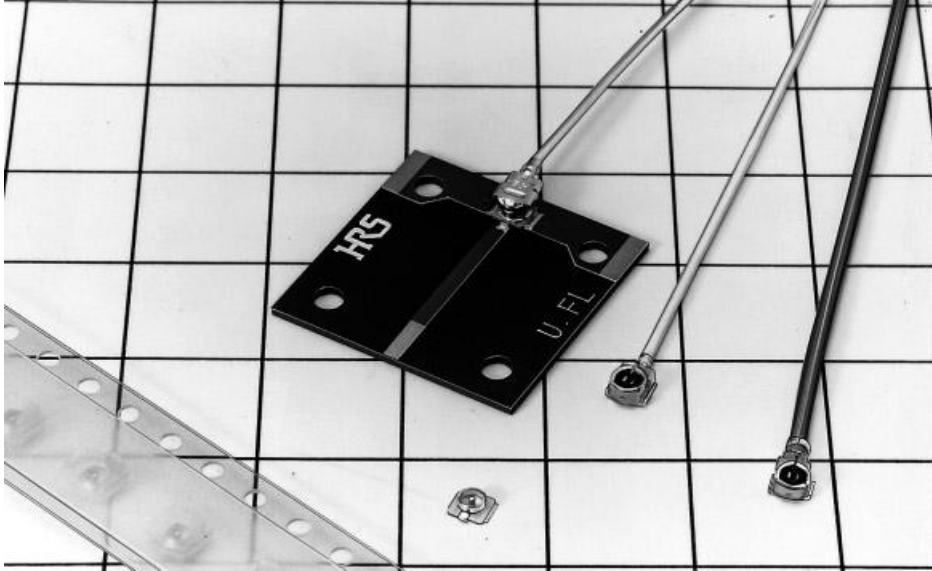
- * Frequency Range : DC to 6GHz (V.S.W.R. : 1.3MAX at 0.1~3GHz, 1.5MAX at 3~6GHz)
- * Characteristic Impedance : 50 ohm (Nominal)
- * Temperature : -40°C to +90°C
- * Rated Voltage : AC 60V
- * Contact Resistance : 20m ohm MAX. (Signal) and 10m ohm MAX. (Ground)
- * Withstand Voltage : AC 200V
- * Insulation Resistance : 500M ohm MIN. / DC 100V

Hirose U.FL Serie

KeMy Electronic can provide all of Hirose Ultra miniature RF coaxial connectors like U.FL connectors, W.FL connectors, H.FL connectors and E.FL connectors.

Most Hirose mini RF coaxial connectors were designed to transmit signal from DC to 6GHz except Hirose H.FL connector. H.FL connector works at DC~3GHz, and is commonly used in GPS module like Trimble Lassen SQ GPS Module and Lassen iQ GPS Module.

These connectors are designed to be terminated with RF coaxial cables like 1.13mm, 1.32mm, 1.37mm, RG178mm, 1.48mm and 0.81mm, and will be sold as pigtail. The receptacles are designed to be surface-mounted type.



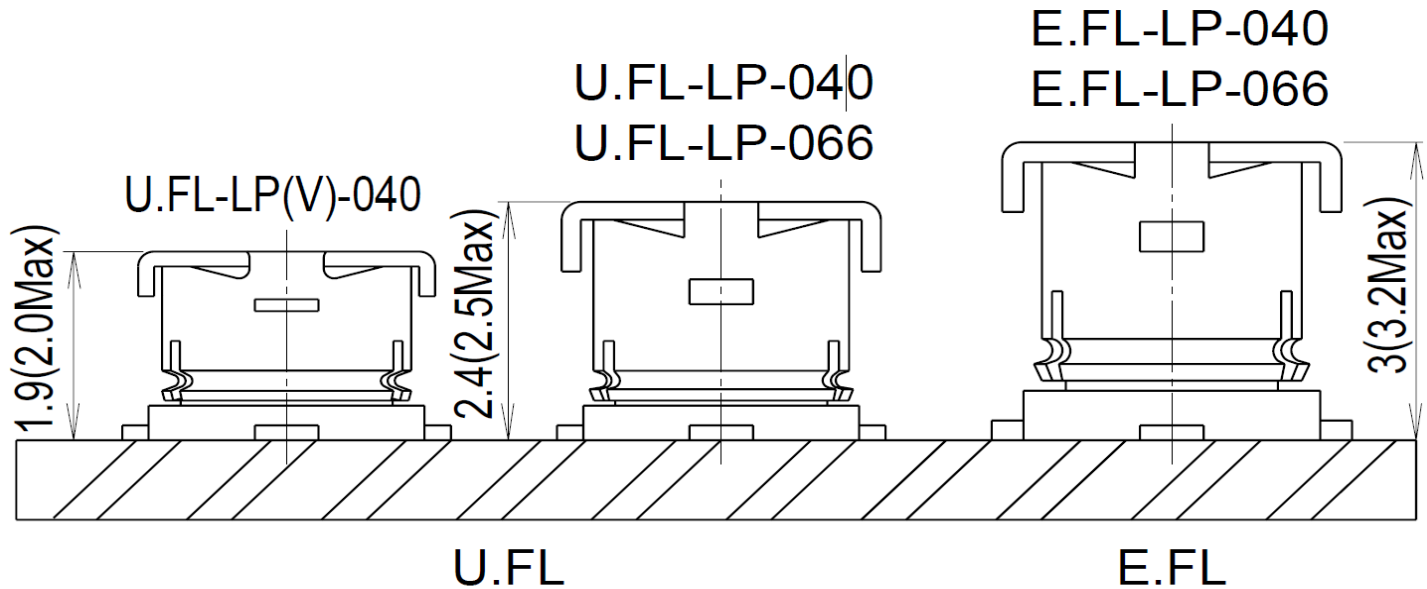
Feature

1. Extremely Small Occupied Mounting Area
Reduced board space requirement by 18% to 7.7mm², when compared with Hirose's E.FL connectors.
2. Light Weight
One of the world's lightest coaxial connectors. Receptacle: 15.7mg
3. Frequencies of Up to 6GHz
To meet the frequency requirements of a wide variety of miniature equipment, these connectors offer high frequency performance from DC to 6 GHz.
4. Board Placement with Automatic Equipment
Supplied on tape-and-reel packaging.
5. Use of Ultra-fine Teflon Cable
Several of ultra-fine single and double shielded Teflon® coaxial cables terminate to U.FL plug.
6. Simple Disconnection
Dedicated tool allows reliable un-mating of the plug.
7. User Friendly Mating Operation
Tactile lock feeling ensures and confirms reliable connection.

Applications

Mobile phones, Wireless LAN, Mini-PCI, Bluetooth, PDA, GPS, Electronic Measuring instruments, etc.

Mated Height Comparison



Mated Height	Plug P/N	Cable	Receptacle P/N	Working Frequency	V.S.W.R (Up to 3GHz)	V.S.W.R (3~6GHz)
2.5mm Max. (2.4mm Nom.)	U.FL-LP-040	0.81mm	U.FL-R-SMT	0~6GHz	1.3 Max.	1.35 Max.
	U.FL-LP-068	1.13mm			1.3 Max.	1.4 Max.
	U.FL-LP-066	1.32mm			1.3 Max.	1.5 Max.
	U.FL-LP-088	1.37mm			1.3 Max.	1.4 Max.
2.0mm Max. 1.9mm Nom.)	U.FL-LP(V)-040	0.81mm			1.3 Max.	1.3 Max.

Materials / Finish

Part	Material		Finish	Remark
Shell	Phosphor bronze		Silver Plated	-----
Male center contact	Brass		Gold Plate	-----
Female center contact	Phosphor bronze		Gold Plate	-----
Insulator	Plug	PBT	Color: Black	UL94V-0
	Receptacle	LCP	Color: Beige	UL94V-0

Technical Data

Contact Resistance	Center	20m ohms max.	10 mA max
	Outside	10m ohms max.	
Insulation resistance	500M Ohms min		100 V DC
Withstanding voltage	No flashover or insulation breakdown		200 V AC / 1 Minute

RF Adapter

RF (radio frequency) coaxial Adapter (also known as RF Adapter), widely used on test equipment, include Adapter Between Series (i.e. SMA jack to N plug) and Adapter In Series (i.e. SMA jack to SMA jack), KeMy offers hundreds of adapter connector, meets a variety of applications with different styles, models, features and price points.

If any item you can not find in our catalog, or need customize, usually it is do-able, please contact our sales team by mail sales@dgkemy.com directly consultant for information, we will try our best to reply to you within 12 hours.



F Male Plug to BNC Female Jack RF Adapter Connector

Part Number: KM-030107



SMA Male to SMA Female and SMA Female 2 Way T Type
RF Adapter Connector

Part Number: KM-011041



SMA Female to SMA Female Vertical RF Adapter Connector

Part Number: KM-011042



Hirsoe SMA male to H.FL male adapter, Hirose original test adapter

Part Number: HRMP-H.FLJ(40)



Hirsoe SMA female to H.FL female adapter, test adapter

Part Number: HRMJ-H.FLP-3(40)



N Male Plug to SMA Male Plug RF Adapter Connector

Part Number: KM-030109



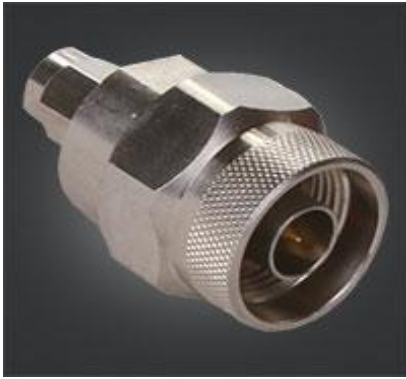
N Female to SMA Female Adapter with Stainless Steel Body

Part Number: KM-030118



SMA male to SMA male vertical adapter, stainless steel test adapter

Part Number: KM-030122



N male to SMA male vertical adapter, high quality stainless steel test adapter

Part Number: KM-030120



RP SMA Male to SMA Female Vertical Adapter, reverse polarity SMA adapter
high quality stainless steel test adapter

Part Number: KM-030119



N male to SMA male vertical adapter, stainless steel test adapter

Part Number: KM-030123



TNC Female Jack to SMA Female Jack, 18GHz Stainless Steel Adapter

Part Number: KM-030127



TNC Female Jack to TNC Female Jack Straight Adapter Connector

Part Number: KM-030124



UHF/PL259 Male Plug to Mini UHF Female Jack RF Adapter Connector

Part Number: KM-030128



TNC Female Jack to SMA Female Jack 4 Holes Flange Panel Mount

18GHz Stainless Steel Test Adapter

Part Number: KM-030126



BNC Female Jack to SMA Male Plug RF Adapter Connector

Part Number: KM-030129



N Male Plug to F Female Jack RF Adapter Connector

Part Number: KM-030131



BNC Male Plug to SMA Male Plug RF Adapter Connector

Part Number: KM-030130



BNC Female Jack to TNC Female Jack RF Adapter Connector

Part Number: KM-030132



BNC Male Plug to UHF/PL259 Male Plug RF Adapter Connector

Part Number: KM-030133



N Female Jack to SMA Female Jack with 4 Holes Flange Mount Adapter

Part Number: KM-030139



TNC Male Plug to BNC Female Jack RF Adapter Connector

Part Number: KM-030138



N Female Jack to BNC Female Jack RF Adapter Connector

Part Number: KM-030136



BNC Male Plug to UHF/SO239 Female Jack RF Adapter Connector

Part Number: KM-030134



BNC Male Plug to SMA Female Jack RF Adapter Connector

Part Number: KM-030135



SMA Male to UFL Test Adapter with Stainless Steel Body

Part Number: KM-030146



BNC Male Plug to Mini UHF Female Jack RF Adapter Connector

Part Number: KM-030144



TNC Female Jack to SMA Female Jack RF Adapter Connector

Part Number: KM-030142



TNC Male Plug to SMA Female Jack RF Adapter Connector

Part Number: KM-030141



N Female Jack to TNC Female Jack RF Adapter Connector

Part Number: KM-030140



SMA Male Plug to U.FL Vertical RF Adapter Connector

Part Number: KM-030146-G



N Female Jack to TNC Female Jack RF Adapter Connector

Part Number: KM-030137



Mini UHF Male Plug to BNC Female Jack RF Adapter Connector

Part Number: KM-030143



SMA Male Plug to SMA Female Jack Right Angle RF Adapter Connector

Part Number: KM-030113





Part Number: KM-020117
Connector: U.FL (Hiorse P/N:U.FL-LP-040)
Cable: 0.81mm
Connector: U.FL (Hiorse P/N:U.FL-LP-040)



Part Number: KM-020116
Connector: IPEX MHF (P/N: 20278-112R-08)
Cable: 0.81mm
Connector: IPEX MHF (P/N: 20278-112R-08)



Part Number: KM-020110
Connector: SMA female straight bulkhead jack
Cable: 0.81mm
Connector: U.FL (Hirose P/N: U.FL-LP-040)



Part Number: KM-020112
Connector: Murata GSC (P/N: MXTK92TK)
Cable: 0.81mm
Connector: Murata GSC (P/N: MXTK92TK)



Part Number: KM-020111
Connector: Murata GSC (P/N: MXTK92TK)
Cable: 0.81mm
Connector: SMA Male R/A Plug



Part Number: KM-020207
Connector: SMA female straight bulkhead jack with O-ring
Cable: 1.13mm
Connector: IPEX MHF plug



Part Number: KM-020217
Connector: SMA male straight plug
Cable: 1.13mm
Connector: IPEX MHF plug



Part Number: KM-022017
Connector: SMA female straight jack front mount, 5u" gold plated
Cable: 1.13mm
Connector: IPEX MHF plug



Part Number: KM-020229
Connector: Hirose U.FL (P/N: U.FL-LP-068)
Cable: 1.13mm
Connector: Hirose U.FL (P/N: U.FL-LP-068)



Part Number: KM-020225
Connector: SMA female vertical bulkhead jack
Cable: 1.13mm
Connector: SMA Male ST Plug



Part Number: KM-020220
Connector: RP SMA Bulkhead Jack, SMA female with male contact
Cable: 1.13mm
Connector: IPEX MHF plug



Part Number: KM-020218
Connector: SMA female vertical bulkhead jack
Cable: 1.13mm
Connector: IPEX MHF plug





Part Number: KM-020306
 Connector: U.FL (Hiorse P/N:U.FL-LP-040)
 Cable: 1.32mm
 Connector: IPEX MHF Plug (P/N: 20278-112R-32)



Part Number: KM-020321
 Connector: Fakra SMB code D male plug with 2 hole flange panel mount
 Cable: 1.32mm
 Connector: IPEX MHF Plug (P/N: 20278-112R-32)



Part Number: KM-020314
 Connector: RP SMA male right angle jack for PCB mount
 Cable: 1.32mm
 Connector: IPEX MHF Plug (P/N: 20278-112R-32)



Part Number: KM-020318
 Connector: Hirose H.FL Plug
 Cable: 1.32mm
 Connector: Hirose H.FL Plug



Part Number: KM-020319
 Connector: MMCX male right angle plug
 Cable: 1.32mm
 Connector: Strip & Tin



Part Number: KM-022069
Connector: SMA Female Bulkhead Jack
Cable: 1.32mm
Connector: Hirose H.FL



Part Number: KM-020310
Connector: U.FL (Hirose P/N:U.FL-LP-066)
Cable: 1.32mm
Connector: U.FL (Hirose P/N:U.FL-LP-066)



Part Number: KM-020312
Connector: RP TNC Straight Jack Flange Mount, Male Contact
Cable: 1.32mm
Connector: U.FL (Hirose P/N:U.FL-LP-066)

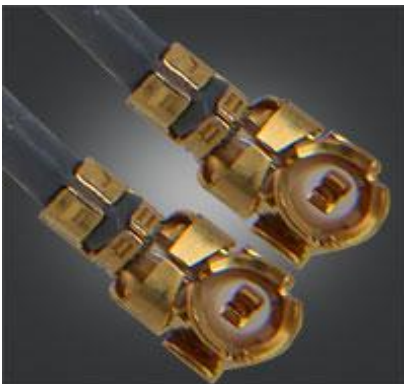




Part Number: KM-020405
Connector: RP SMA female bulkhead jack waterproof connector
Cable: 1.37mm
Connector: IPEX MHF Plug (P/N: 20351-112R-37)



Part Number: KM-020406
Connector: SMA female bulkhead jack
Cable: 1.37mm
Connector: IPEX MHF Plug (P/N: 20351-112R-37)



Part Number: KM-020420
Connector: IPEX MHF Plug (P/N: 20351-112R-37)
Cable: 1.37mm
Connector: IPEX MHF Plug (P/N: 20351-112R-37)



Part Number: KM-022034
Connector: IP67 waterproof TNC female bulkhead jack with O-ring
Cable: 1.37mm
Connector: MMCX male straight plug



Part Number: KM-022033
Connector: IP67 waterproof BNC female bulkhead jack with O-ring
Cable: 1.37mm
Connector: MCX female straight jack



Part Number: KM-020425
Connector: RP-SMA Bulkhead Jack, female connector with male contact
Cable: 1.37mm
Connector: IPEX MHF Plug (P/N: 20351-112R-37)



Part Number: KM-020424
Connector: SMB Male Contact Bulkhead Jack with Thread
Cable: 1.37mm
Connector: IPEX MHF Plug (P/N: 20351-112R-37)



Part Number: KM-020422
Connector: Hirose H.FL Plug
Cable: 1.37mm
Connector: Hirose H.FL Plug



Part Number: KM-020421
Connector: SMA female right angle bulkhead jack
Cable: 1.37mm
Connector: IPEX MHF Plug (P/N: 20351-112R-37)



Part Number: KM-022035
Connector: IP67 waterproof SMA female jack with o-ring
Cable: 1.37mm
Connector: MMCX male straight plug

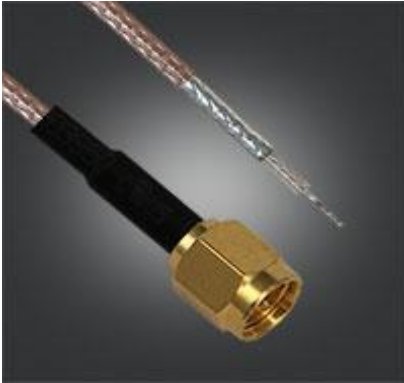


Part Number: KM-020506
Connector: MCX female vertical jack
Cable: 1.48mm
Connector: Hirose H.FL Plug





Part Number: KM-022066
Connector: RP SMA right angle plug, male connector with female pin
Cable: RG-178
Connector: RP SMA bulkhead straight jack with O-ring, female connector with male contact



Part Number: KM-020116
Connector: SMA male straight plug
Cable: RG-178
Connector: Strip & Tin



Part Number: KM-020834
Connector: TNC female front mount jack
Cable: RG-178
Connector: IPEX MHF Plug (P/N: KM-20278-112R-18)



Part Number: KM-020816
Connector: RP SMA bulkhead jack, SMA female with male contact
Cable: RG-178
Connector: IPEX MHF Plug (P/N: 20278-112R-18)



Part Number: KM-020719
Connector: SMA female bulkhead straight jack
Cable: RG-174
Connector: MCX Male Right Angle Plug



Part Number: KM-020726
Connector: SMA male straight plug
Cable: RG-174
Connector: MMCX male right angle plug



Part Number: KM-020731
Connector: SMA female bulkhead straight jack
Cable: RG-174
Connector: MMCX male right angle plug



Part Number: KM-020737
Connector: FAKRA SMB code C male straight plug
Cable: RG-174
Connector: SMA female straight bulkhead jack



Part Number: KM-020738
Connector: FAKRA SMB code H male straight plug
Cable: RG-174
Connector: SMA female straight bulkhead jack



Part Number: KM-020746
Connector: N Male Straight Plug
Cable: RG-174
Connector: SMA Male Straight Plug



Part Number: KM-020739
Connector: FME female straight bulkhead jack
Cable: RG-174
Connector: SMA female straight bulkhead jack



Part Number: KM-020740
Connector: SMA female straight bulkhead jack with O-ring
Cable: RG-174
Connector: SMB female contact straight plug



Part Number: KM-020741
Connector: SMA female straight bulkhead jack
Cable: RG-174
Connector: MMCX male straight plug



Part Number: KM-020743
Connector: BNC male straight plug
Cable: RG-174
Connector: BNC male straight plug



Part Number: KM-020744
Connector: SMA male straight plug
Cable: RG-174
Connector: SMA female straight bulkhead jack



Part Number: KM-020745
Connector: SMA Male Right Angle Plug
Cable: RG-174
Connector: MMCX Male Straight Plug



Part Number: KM-020747
Connector: N Male Straight Plug
Cable: RG-174
Connector: SMA Female Straight Bulkhead Jack with O-ring



Part Number: KM-020748
Connector: TNC female straight bulkhead jack with O-ring
Cable: RG-174
Connector: MCX male straight plug



Part Number: KM-020749
Connector: MMCX male right angle plug
Cable: RG-174
Connector: Fakra SMB Code E Male plug with flange panel mount



Part Number: KM-020750
Connector: Fakra SMB code Z male plug with flange panel mount
Cable: RG-174
Connector: Fakra SMB code Z female right angle jack crimp



Part Number: KM-020751
Connector: SMB female contact straight plug
Cable: RG-174
Connector: SMB female contact straight plug



Part Number: KM-020728
Connector: MCX Male Straight Plug
Cable: RG-174
Connector: MCX Male Straight Plug





Part Number: KM-021002
Connector: BNC male straight plug
Cable: RG-316
Connector: SMA male straight plug



Part Number: KM-021003
Connector: MCX male right angle plug
Cable: RG-316
Connector: Strip & Tin



Part Number: KM-021009
Connector: N female straight bulkhead jack with O-ring
Cable: RG-316
Connector: MMCX male right angle plug



Part Number: KM-022040
Connector: MCX male right angle plug
Cable: RG-316
Connector: MCX male right angle plug



Part Number: KM-021049
Connector: Fakra SMB code Z male plug with 1 hole flange panel mount
Cable: RG-316
Connector: MCX female straight jack



Part Number: KM-021048
Connector: MMCX male right angle plug
Cable: RG-316
Connector: MMCX male right angle plug



Part Number: KM-021019
Connector: IP67 waterproof UHF female bulkhead jack with O-ring
Cable: RG-316
Connector: SMB female contact right angle plug



Part Number: KM-021041
Connector: SMA female straight bulkhead jack
Cable: RG-316
Connector: SMA male straight plug



Part Number: KM-021034
Connector: N male straight plug
Cable: RG-316
Connector: MCX Male R/A Plug



Part Number: KM-021050
Connector: Fakra SMB code H female straight jack
Cable: RG-316
Connector: N female straight bulkhead jack with O-ring



Part Number: KM-021021
 Connector: SMA female bulkhead straight jack, 13mm thread
 Cable: RG-316
 Connector: MMCX male straight plug



Part Number: KM-021037
 Connector: SMA female straight bulkhead jack
 Cable: RG-316
 Connector: MMCX male right angle plug



Part Number: KM-021022
 Connector: MCX male straight plug
 Cable: RG-316
 Connector: MCX male straight plug



Part Number: KM-021038
 Connector: RP TNC Plug, TNC male connector with female socket
 Cable: RG-316
 Connector: SMA female straight bulkhead jack



Part Number: KM-021028
 Connector: MMCX male straight plug
 Cable: RG-316
 Connector: RP TNC male bulkhead jack with O-ring
 TNC female with male contact



Part Number: KM-021013
Connector: SMB female contact right angle plug
Cable: RG-316
Connector: SMB female contact right angle plug



Part Number: KM-021030
Connector: MMCX male straight plug
Cable: RG-316
Connector: MMCX male straight plug



Part Number: KM-021035
Connector: SMA female right angle bulkhead jack
Cable: RG-316
Connector: MMCX male Right Angle plug



Part Number: KM-021036
Connector: N female straight jack with 4 holes flange mount
Cable: RG-316
Connector: MMCX male Right Angle plug



Part Number: KM-021032
Connector: SMA female bulkhead jack
Cable: RG-316
Connector: SMA male R/A plug



Part Number: KM-021013
Connector: TNC female straight bulkhead jack with O-ring
Cable: RG-316
Connector: SMB female contact straight plug



Part Number: KM-021033
Connector: RP TNC male plug with female socket pin
Cable: RG-316
Connector: Strip & Tin



Part Number: KM-021029
Connector: MMCX Male R/A Plug
Cable: RG-316
Connector: MMCX Male R/A Plug





Part Number: KM-022208
Connector: BNC male straight plug
Cable: RG-58
Connector: Motorola male straight plug, AM/FM plug, car Antenna plug



Part Number: KM-022207
Connector: BNC male straight plug clamp
Cable: RG-58
Connector: BNC male straight plug clamp



Part Number: KM-022064
Connector: UHF male straight plug/PL259
Cable: RG-58
Connector: UHF male straight plug/PL259



Part Number: KM-022214
Connector: Fakra SMB code E female right angle jack
Cable: RG-58
Connector: Fakra SMB code G male straight plug



Part Number: KM-022211
Connector: FAKRA SMB code C female R/A Jack
Cable: RG-58
Connector: N male straight plug



Part Number: KM-022210
Connector: FAKRA SMB code E Female R/A Jack
Cable: RG-58
Connector: SMA Male Straight Plug



Part Number: KM-022209
Connector: Motorola male straight plug, AM/FM plug, car Antenna plug
Cable: RG-58
Connector: Motorola male straight plug, AM/FM plug, car Antenna plug





Part Number: KM-022101
Connector: F Male Straight Plug
Cable: RG-59 or Belden 1855A Mini RG59
Connector: F Male Straight Plug



Part Number: KM-020606
Connector: BNC male ST plug
Cable: RG-142
Connector: BNC male ST plug



Part Number: KM-022501
Connector: N male straight plug
Cable: RG-213
Connector: N male straight plug





Part Number: KM-022059
Connector: N female bulkhead jack with O-ring
Cable: LMR-100
Connector: SMP female pin straight plug



Part Number: KM-021201
Connector: SMA Male Straight Plug
Cable: LMR-195
Connector: SMA Male Straight Plug



Part Number: KM-021202
Connector: RP TNC Straight Plug, Male Connector with Socket Pin
Cable: LMR-195
Connector: N Male Straight Plug



Part Number: KM-021203
Connector: BNC Male Straight Plug with Molding
Cable: LMR-195
Connector: BNC Male Straight Plug with Molding



Part Number: KM-021204
Connector: N Male Straight Plug
Cable: LMR-195
Connector: SMA Male Straight Plug



Part Number: KM-022028
Connector: SMA Male Straight Plug
Cable: LMR-200
Connector: SMA Male Straight Plug



Part Number: KM-022049
Connector: N Male Straight Plug
Cable: LMR-200
Connector: SMA Male Straight Plug



Part Number: KM-021406
Connector: BNC Male Straight Plug
Cable: LMR-240
Connector: BNC Male Straight Plug



Part Number: KM-021503
Connector: BNC Male Straight Plug Clamp Type
Cable: LMR-300
Connector: BNC Male Straight Plug Clamp Type



Part Number: KM-021606
Connector: N Male Straight Plug
Cable: LMR-400
Connector: RP N Straight Plug, N Male with Female Socket



Part Number: KM-021701
Connector: N Male Straight Plug
Cable: LMR-500
Connector: N Male Straight Plug





Part Number: KM-021903
Connector: N Male Straight Plug
Cable: .086 semi rigid
Connector: N Male Straight Plug



Part Number: KM-021904
Connector: SMA Male Straight Plug
Cable: .141 semi rigid
Connector: SMA Male Straight Plug



Part Number: KM-021905
Connector: N Male Straight Plug
Cable: .141 semi rigid
Connector: N Male Straight Plug



Part Number: KM-021913
Connector: SMP Female Straight Jack
Cable: RG-402
Connector: SMP Female Straight Jack



Part Number: KM-021910
Connector: N Male R/A Plug
Cable: RG-402
Connector: N Male R/A Plug



Part Number: KM-021907
Connector: SMA Male R/A Plug
Cable: RG-402
Connector: SMA Male R/A Plug



Part Number: KM-021912
Connector: SMA Male Straight Plug
Cable: RG-402
Connector: SMP Female Straight Jack



Part Number: KM-021911
Connector: RP SMA Straight Plug, Male Connector with Socket Pin
Cable: RG-402
Connector: RP SMA Straight Plug, Male Connector with Socket Pin



Part Number: KM-021909
Connector: N Male Straight Plug
Cable: RG-402
Connector: N Male Straight Plug



Part Number: KM-021908
Connector: N Male Straight Plug
Cable: RG-402
Connector: SMA Male Right Angle Plug

RF Antenna

KeMy Electronic is a professional manufacturer for wireless communication products, our research and development engineers provide our customers with RF series solutions, such as VHF, UHF GSM, CDMA, GPRS, Wifi, WLAN, Bluetooth, DVB, 3G and 3.5GHz antennas, the frequency cover 30MHz ~ 6GHz antennas.

Item	Frequency Range	Application
—	27MHz	Tracing Record
VHF	80 ~ 120 MHz	Radio
VHF	170 ~ 470 MHz	Car / Radio / DVB / Wireless Phone
UHF	400 ~ 450 MHz	Car / TV / DVB / Wireless Phone
DVB	470 ~ 870 MHz	Remote Control / VHF / UHF / DVB / PAL / NTSC
CDMA - 800	824 ~ 894 MHz	Mobile Phone / Smart Phone
GSM / GPRS - 900	880 ~ 960 MHz	remote Control / Wireless Audio / Video
GPS	1573 ~ 1577 MHz	Global Positioning / Car Tracking
GSM / GPRS - 1800	1710 ~ 1880 MHz	Mobile Phone / Smart Phone
GSM / GPRS - 1900	1850 ~ 1990 MHz	Mobile Phone / Smart Phone
CDMA - 1900	1850 ~ 1990 MHz	Mobile Phone / Smart Phone
PHS -1900	1880 ~ 1930 MHz	Mobile Phone / Smart Phone
W - CDMA (3G)	1920 ~ 2170 MHz	Mobile Phone / Smart Phone
Bluetooth	2400 ~ 2500 MHz	Wireless Communication / Router / Access Point
WLAN - IEEE 802.11b / g	2400 ~ 2500 MHz	Wireless Communication
WLAN - IEEE 802.11a	4900 ~ 5900 MHz	Wireless Communication
WiMAX	3300 ~ 3800 MHz	Wireless Communication / WiMAX System



Frequency 2.4GHz, 5.0GHz or 5.8GHz
 Gain 2dBi ~ 8dBi
 VSWR < 2
 Antenna Length 50mm ~ 260mm
 Connector SMA male or RP SMA male



Frequency 2.4GHz, 5.0GHz or 5.8GHz
 Gain 2dBi ~ 8dBi
 VSWR < 2
 Antenna Length 50mm ~ 260mm
 Connector SMA male or RP SMA male



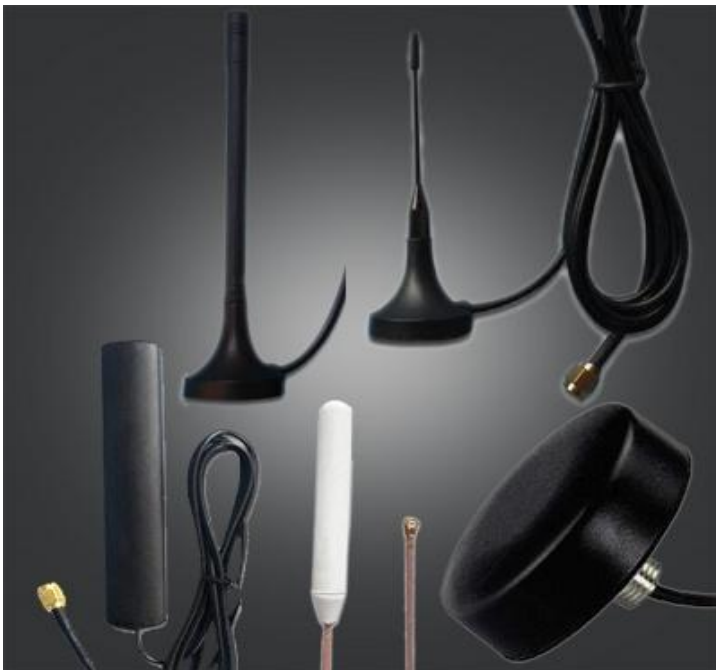
Frequency 2.4GHz, 5.0GHz or 5.8GHz
 Gain 2dBi ~ 3dBi
 VSWR < 1.8
 Antenna Length 50mm, 48mm, 85mm, 108mm
 Connector SMA male or RP SMA male



Frequency 2.4GHz, 5.0GHz or 5.8GHz
 Gain 2dBi ~ 5dBi
 VSWR < 2
 Cable type RG174
 Connector SMA, SMB, MCX or customize



Frequency	824-894 MHz, 1850-1990 MHz 880-960MHz, 1710-1880MHz 1850-1990MHz
Gain	2dBi ~ 5dBi
VSWR	< 1.8 or < 2
Antenna Length	50mm ~ 210mm
Connector	SMA male or RP SMA male
Impedance	50 ohm
Direction	Omni-Directional



Frequency	824-894 MHz, 1850-1990 MHz 880-960MHz, 1710-1880MHz 1850-1990MHz
Gain	3 dBi
VSWR	< 1.8
Cable type	RG174, RG178
Cable length	As request
Connector	SMA male or as request
Impedance	50 ohm
Direction	Omni-Directional



GPS Antenna

Frequency	1575.42 MHz
VSWR	< 1.5
Impedance	50 ohm
Fix Method	Magnetic Base or Sticker
Cable	RG174, length as request
Connector	SMA or as request



GPS Antenna

Frequency	1575.42 MHz
VSWR	< 1.5
Impedance	50 ohm
Antenna Size	15*15mm, 20*20mm, 25*25mm ...
Cable	1.13mm or without cable
Connector	IPEX MHF or as request



433MHz Antenna

Frequency	433MHz
Gain	2dBi ~ 3dBi
VSWR	< 2.0
Impedance	50 ohm
Connector	SMA male or RP SMA male



W-CDMA / 3G Antenna

Frequency	1710~2170MHz
Gain	3dBi
VSWR	< 2.0
Impedance	50 ohm
Connector	SMA male or RP SMA male