

Standard Series

Product Display

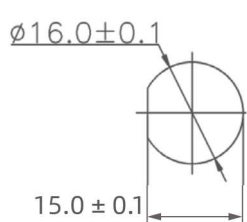


Specification

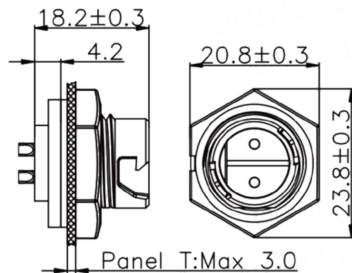
Lock Mechanism	Screw Type / Push Lock Type						
Pin Number	2~3P	4P	5~6P	2+4P	3+4P	8P	12P
Rated Current	10A		5A	10+5A	10+2A	5A	2A
Rated Voltage	300V	125V	60V			30V	
IP Rating	IP67 Mated						
Mating Cycle	500						
Operating Temperature	-40°C~105°C						
Wire Processing	Soldering						
Proposed Wire Gauge/mm ²	18AWG / 0.823mm ² 1.0mm ²	18AWG / 0.823mm ²	20AWG / 0.519mm ²	18AWG / 0.823mm ² *2C / 3C 20AWG / 0.519mm ² *4C	20AWG / 0.519mm ²	22AWG / 0.34mm ²	
Proposed Cable Diameter	3.5-6.8mm (Field Installable Plug), 9.0mmMax (Overmold Plug)						
Certification	UL1977 for 2P, 3P, 4P, 5P, 6P, 2+4P, 8P UL2238 for 2P, 3P, 4P, 2+4P						

Critical Dimension

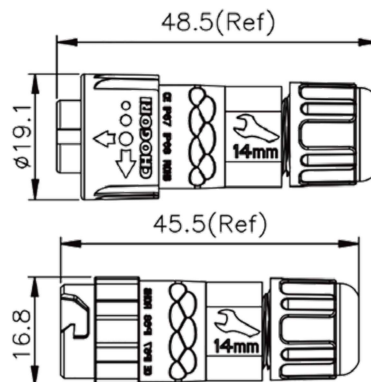
Panel Cut-Out



Panel Mount



Field Installable Plug



Overmold Plug (Straight & Right Angle Version)

