

## RJ45 Series

### Product Display

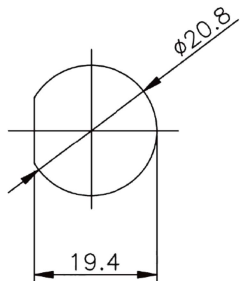


### Specification

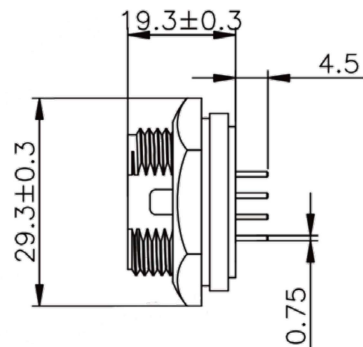
Lock Mechanism	Screw Type
Pin Number	8Pin
IP Rating	IP67 Mated
Mating Cycle	500
Operating Temperature	-40°C~85°C
Wire Processing	Soldering
Proposed Wire Gauge/mm <sup>2</sup>	24AWG
Proposed Cable Diameter	4.0-7.0mm

### Critical Dimension

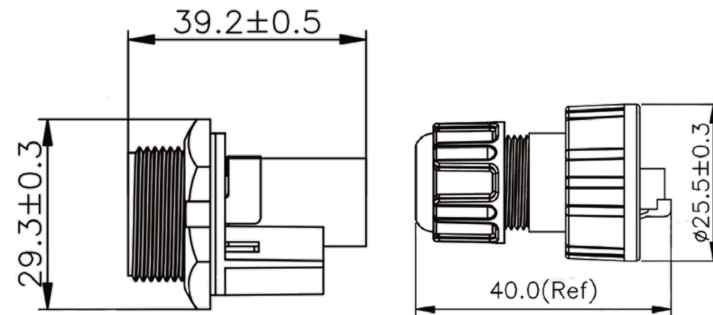
Panel Cut-Out



Panel Mount



Mating Plug



# USB Series(USB 2.0 & Mini USB)

## Specification

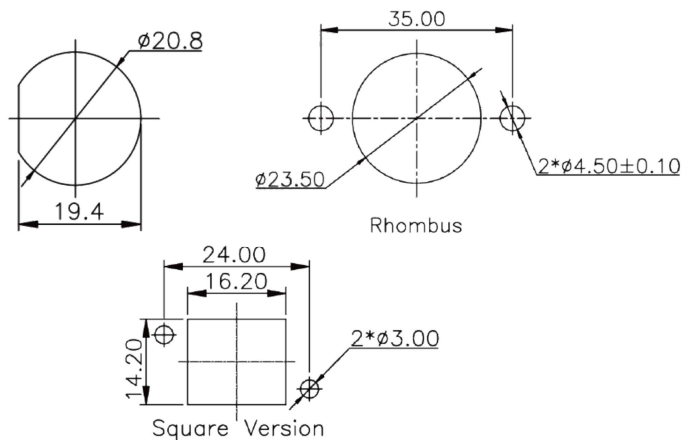
### Product Display



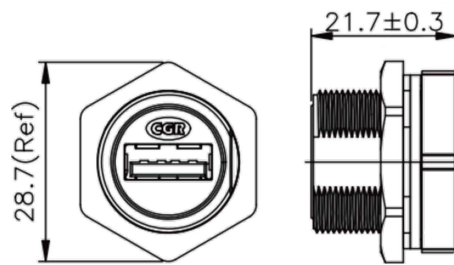
Lock Mechanism	Screw / Lock Bayonet Type
Pin Number	4Pin
Rated Current	1.5A
IP Rating	IP67 Mated
Mating Cycle	1500
Operating Temperature	-40°C~85°C
Wire Processing	Soldering
Proposed Wire Gauge/mm <sup>2</sup>	0.204mm <sup>2</sup> / 24AWG
Proposed Cable Diameter	3.5-6.8mm

### Critical Dimension

Panel Cut-Out(Circular & Rhombus & Square Version)



USB 2.0 Connector



Mini USB Connector

