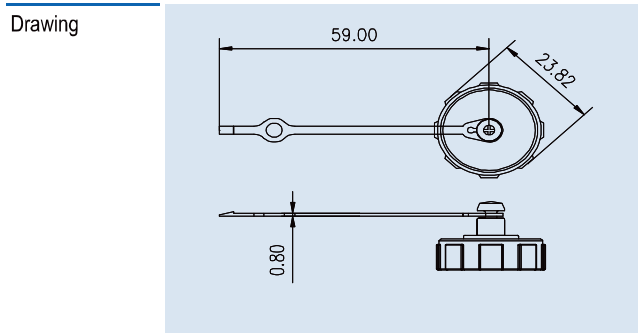


# Waterproof cap for USB Series

## CHOGORI

waterproof cap

### Waterproof cap for USB Series



Part-No.	Part Number
	806-0001-00

Specifications	
Cable Outlet(mm)	
Degree of Protection	IP67(Mated)
Lower-Upper Temperature	- 45℃~+85℃
Mating Part No	34000000-03 /34000000-09-XXX

# Waterproof cap for RJ45 Series

## CHOGORI

waterproof cap

### Waterproof cap for RJ45 Series

Description	RJ45 Waterproof cap (Plastic Screw )	RJ45 Waterproof cap(Plastic Screw )	RJ45 Waterproof cap (Metal Screw )
Figure			

Drawing			
---------	--	--	--

Part Number	Part Number 806-00003-00	Part Number 806-00003-01	Part Number 806-00049-00
-------------	-----------------------------	-----------------------------	-----------------------------

### Specifications

Environmental Protection	IP67(Mated)	IP67(Mated)	IP67(Mated)
Mechanical Life	500 mating cycles		
Operating Temperature	- 40℃ - 85℃		
Mating Part No	33000615-03 33000000 07	33000615-03 33000000 07	33000615-04 33000615 06