

OMNI SERIES

POWER AND SIGNAL CONNECTIVITY SOLUTIONS



Application

OMNI SERIES

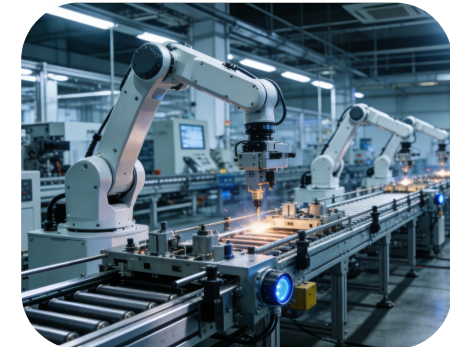
- Fleet Management
- LED Lighting



- Energy Storage
- Smart Meter

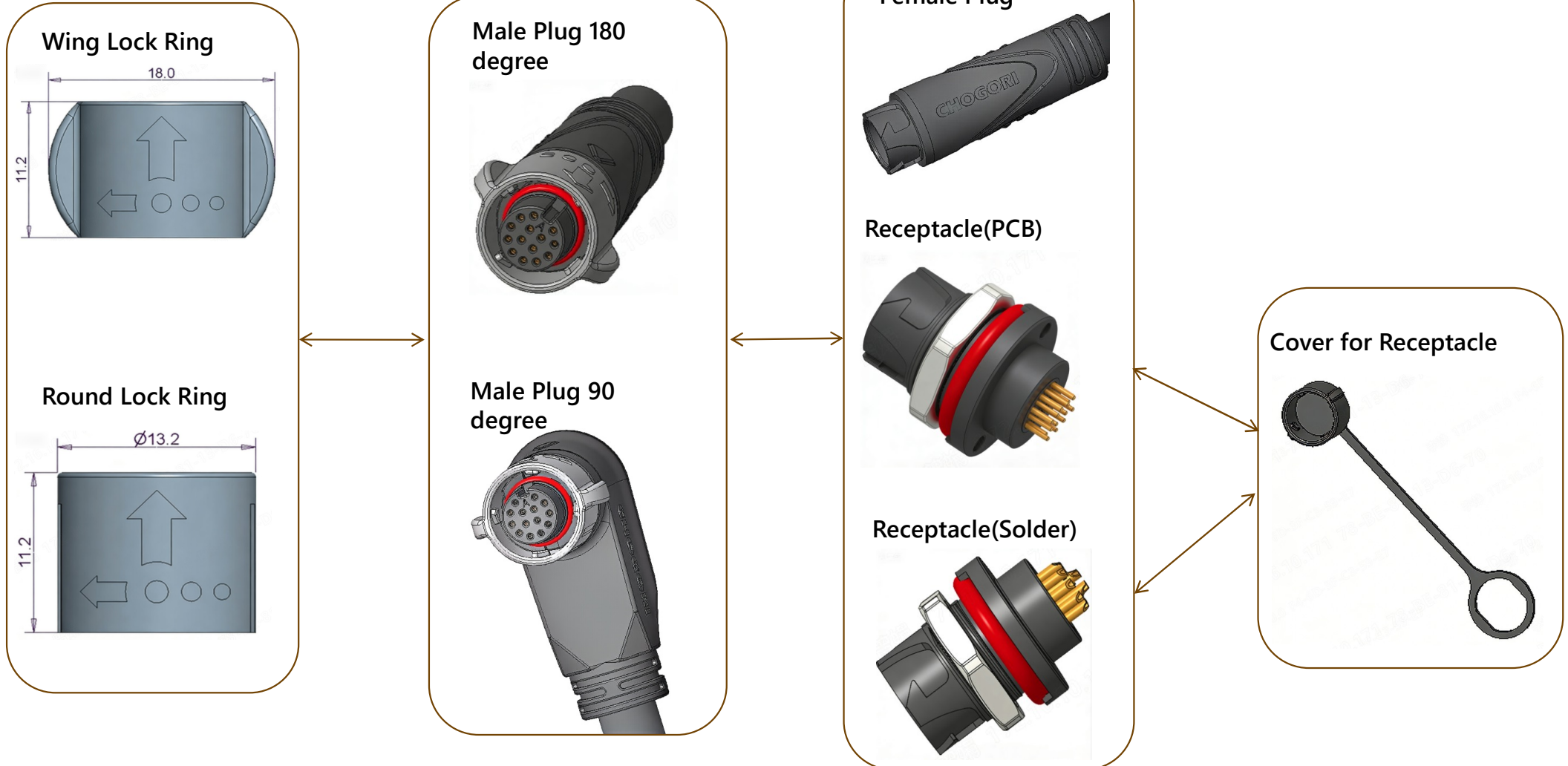


- Industrial Automation
- Medical Equipment



Structure

OMNI SERIES



- **Dynamic Waterproof**
 - IP67&IP69K Rated (Mated&Unmated)



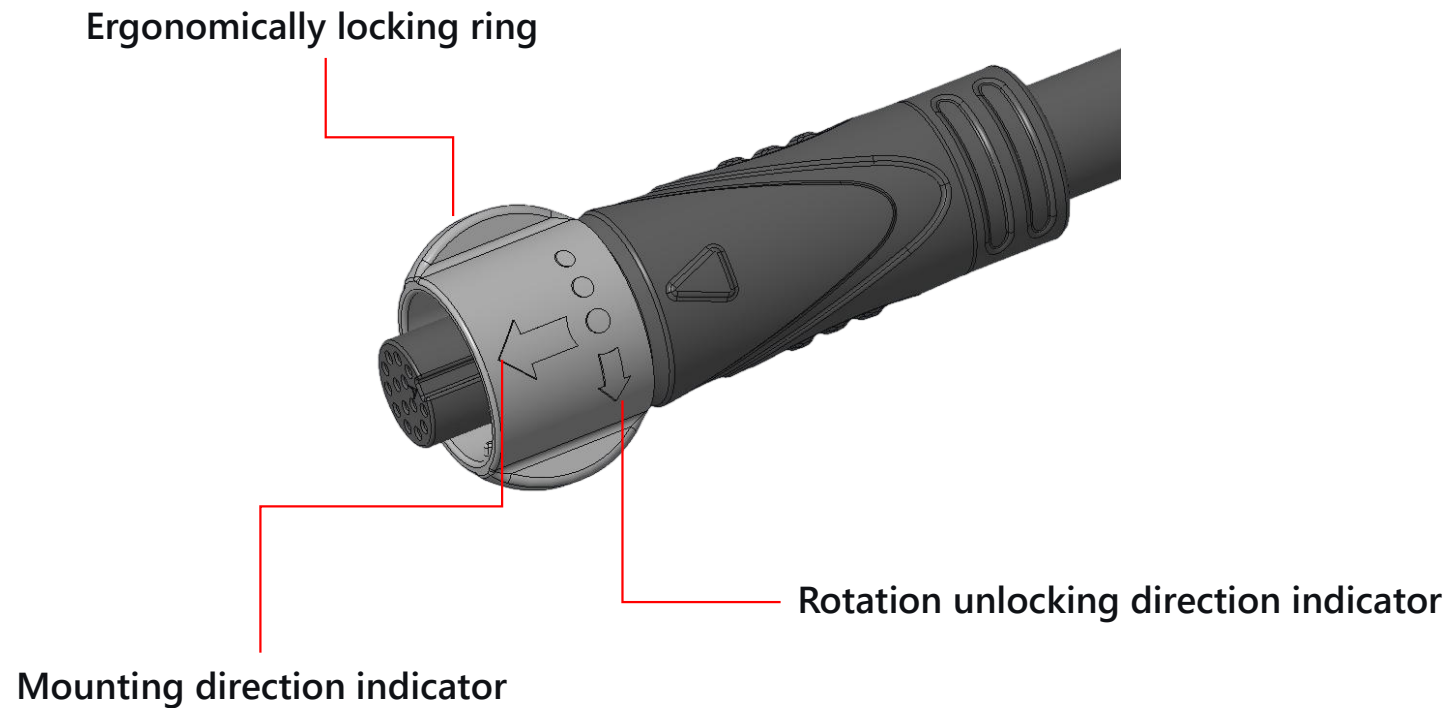
➤ Reliability

- 4-point locking design for stable connections in high-vibration environments



➤ Ease of Use

- Dual-Wing Locking Ring & Push-Locking Design

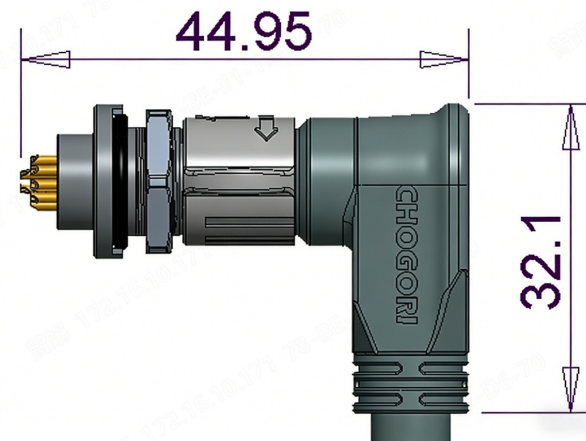
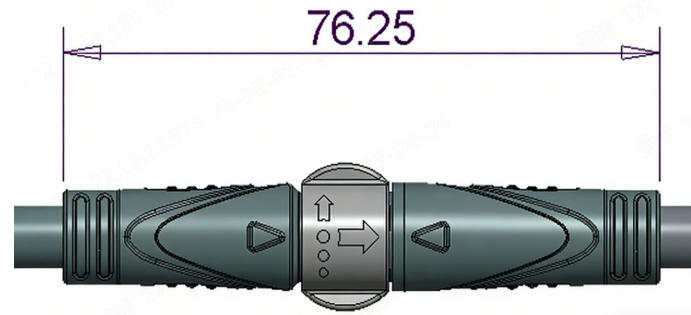


Dimensions

OMNI SERIES

SELWYN
The Global Supplier with the Personal Touch

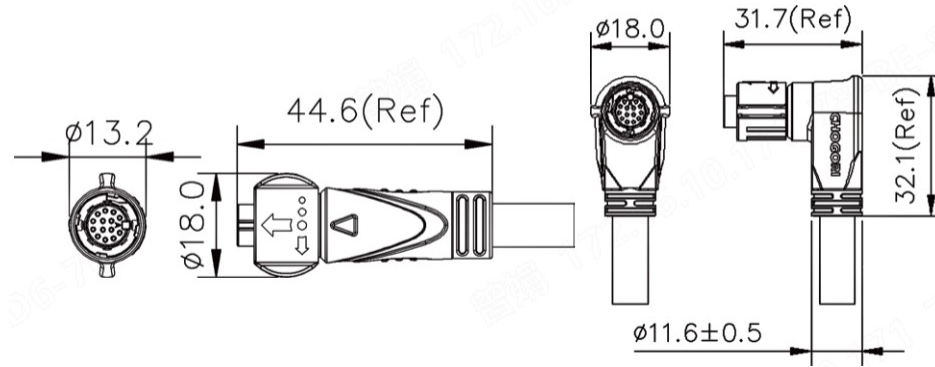
CHOGORI



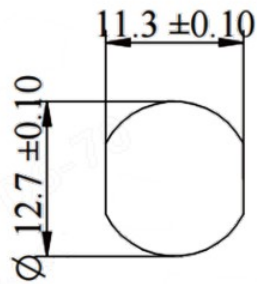
Dimensions

OMNI SERIES

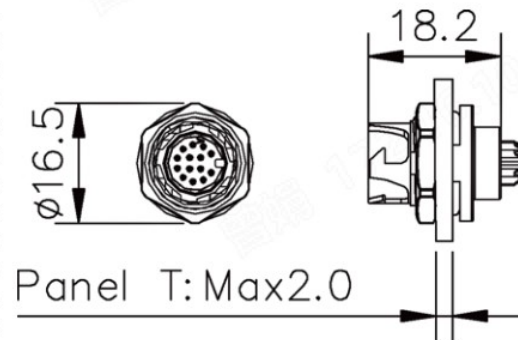
Male Plug



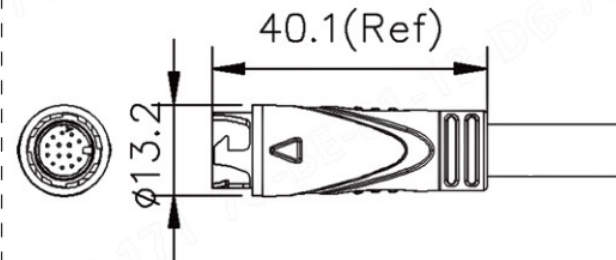
Panel Cut-Out



Panel Mount



Female Plug

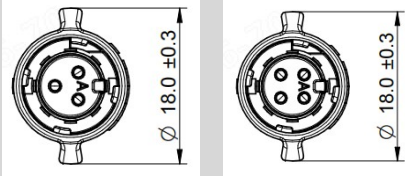
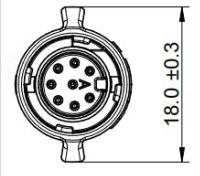
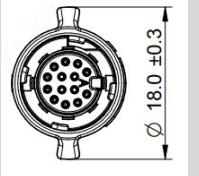


Specification

OMNI SERIES

SELWYN
The Global Supplier with the Personal Touch

CHOGORI

Pin Number	3~4P	8P	14P
			
Rated Operating Voltage	125V	60V	30V
Rated Current	10A	2A	2A
IP Rating	IP67&IP69K (Mated&Unmated)		
Mechanical Life	1000 Mating Cycles		
Operating Temperature	-40°C~105°C		
Wiring Range	20~18AWG	26~24AWG	26~24AWG
Locking Mechanism	Push Locking Mechanism with 4-locking-dots		

**THANK
YOU**

