

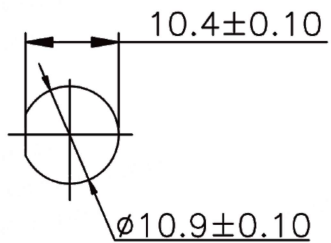
Mini Series

Product Display

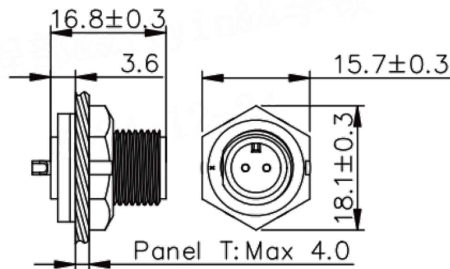


Critical Dimension

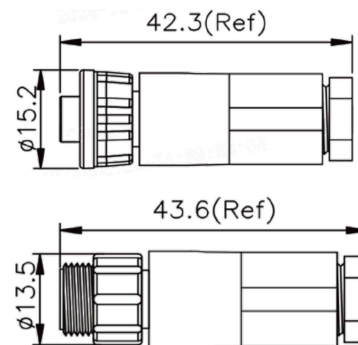
Panel Cut-Out



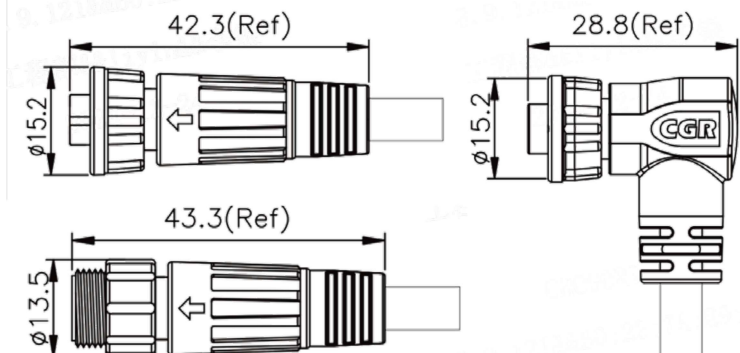
Panel Mount



Field Installable Plug



Overmold Plug(Straight & Right Angle Version)



Specification

Lock Mechanism	Screw Type / Lock Bayonet Type	
Pin Number	2~4P	5~8P
Rated Current	5A	2A
Rated Voltage	110V	50V
IP Rating	IP67 Mated	
Mating Cycle	500	
Operating Temperature	-40°C~105°C	
Wire Processing	Soldering	
Proposed Wire Gauge/mm ²	20AWG / 0.519mm ²	22AWG / 0.34mm ²
Proposed Cable Diameter	4.7-6.8mm (Field Installable Plug), 7.2mmMax (Overmold Plug)	
Certification	UL1977 for 2P, 3P UL2238 for 8P	