

Middle Series

Product Display

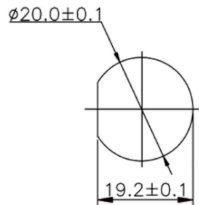


Specification

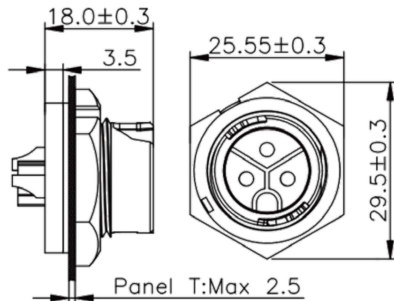
Lock Mechanism	Screw Type / Push Lock Type						
Pin Number	2~3P	4P	5-6P	7-8P	3+5P	10P, 12P, 14P	18P
Rated Current	20A	15A	10A	5A	15+2A	5A	2A
Rated Voltage	300V		125V	60V	125+30V		30V
IP Rating	IP67 Mated						
Mating Cycle	500						
Operating Temperature	-40°C~105°C						
Wire Processing	Soldering / Screw Terminal						
Proposed Wire Gauge/mm ²	14AWG / 2.5mm ²	17AWG / 1.0mm ²	18AWG / 0.75mm ²	22AWG / 0.34mm ²	17AWG / 1.0mm ² *3C 24AWG / 0.25mm ² *5C		24AWG / 0.25mm ²
Proposed Cable Diameter	3.5~6.5mm, 6.5~9.5mm (Field Installable Plug), 10.8 mmMax (Overmold Plug)						
Certification	UL1977 for 2P, 3P, 4P, 5P, 7P, 8P, 9P				UL2238 for 2P, 3P, 3+5P		

Critical Dimension

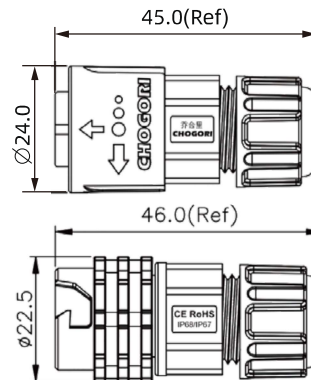
Panel Cut-Out



Panel Mount



Field Installable Plug



Overmold Plug (Straight & Right Angle Version)

