

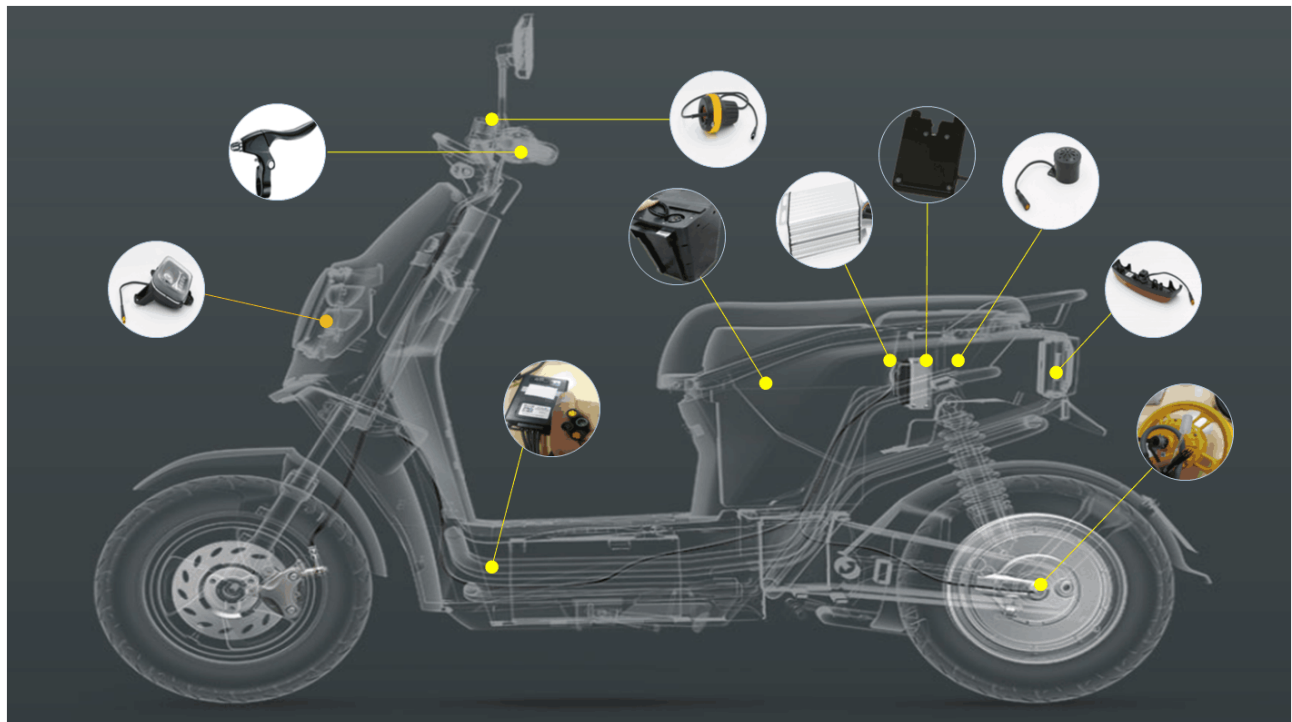
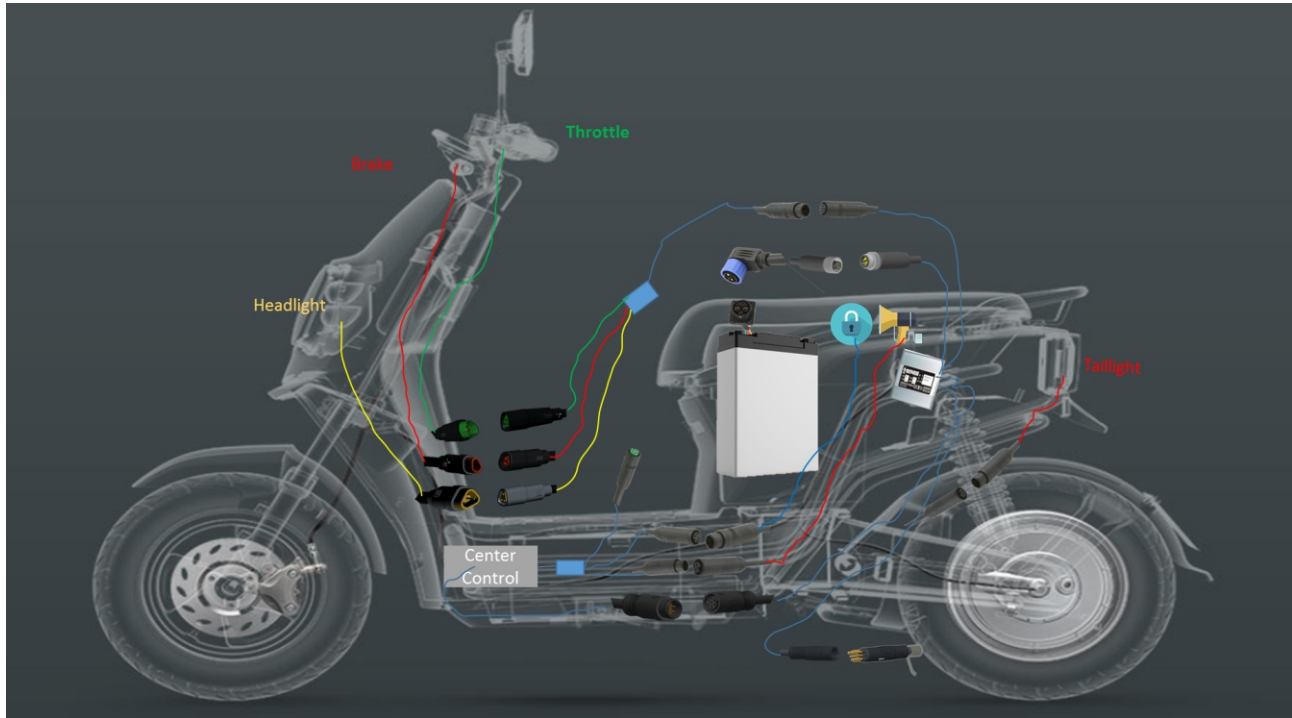
Chogori Connectivity Solution for E-Bike



Chogori Connectivity Solution for E-Scooter



Chogori Connectivity Solution for E-Bike



Charging Connectors

1. Middle 3Pin Charging Connector	7
2. CAC3 3Pin Charging Connector	8
3. GB AC Charging Socket	9

Battery Connectors

1. Large Series Connector	10
2. Mate Series Connector	11
3. Banaga100 Series Connector	12
4. Middle2+3 Series Charging And Discharging Connector	13

Electrical Changing Connectors

1. FC09 3+9 Connector	14
2. FC04 2+10 Connector	15

Wire To Wire Connectors

1. Micro A Series 2-6Pin Signal Connector	16
2. Dream Series 7Pin Signal Connector	17
3. Dream Series Motor 3+6 Connector	18
4. M12 2+3 Charge And Discharge Connector	19

Middle 3Pin

Application

Receptacle for E-scooter charging use

Advantages

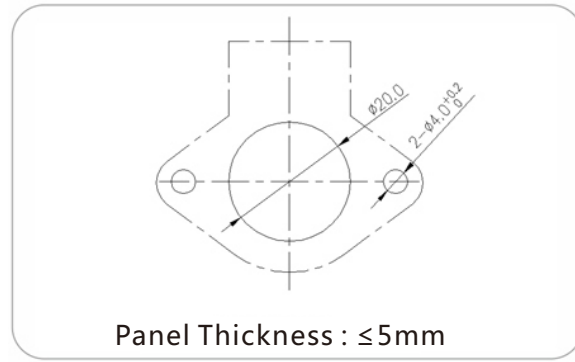
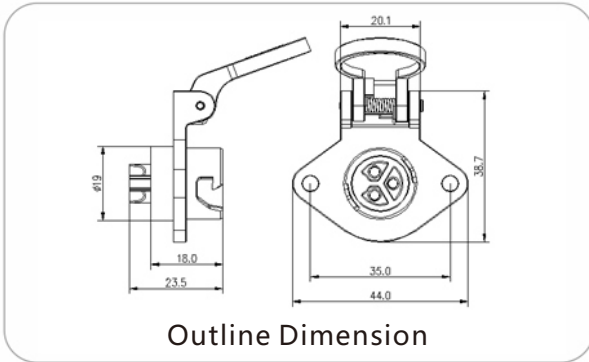
- Clamshell structure provides reliable protection
- Push-lock locking mechanism, plug in & out easy and smooth
- With audible click when locking engaged
- ≥2000 times mating cycles
- RoHS



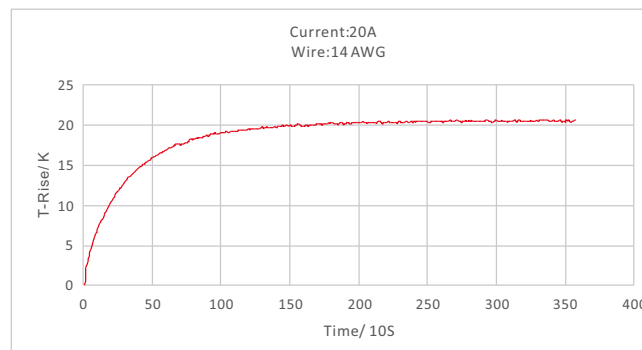
Specification

Mating Cycle : ≥2000 Times	Voltage Rating : 250V DC	Operating Temperature: -40°C~105°C	Shell : High strength thermoplastic resin
Pullout Force : <100N	Current Rating : 20A	IP Rating : IP67	Sealing : Silicone Rubber
Wire processing : Weld	Withstand Voltage : 1500V AC	Salt Spray : 72h	Conductor : Copper Alloy, Silver/Gold Plated
Insulation Resistance : >500MΩ		Flammability Rating : UL94V-0	

Size



Temperature Curve Graph



CAC3

Application

For E-scooter charging use, for assembly type cable use

Advantages

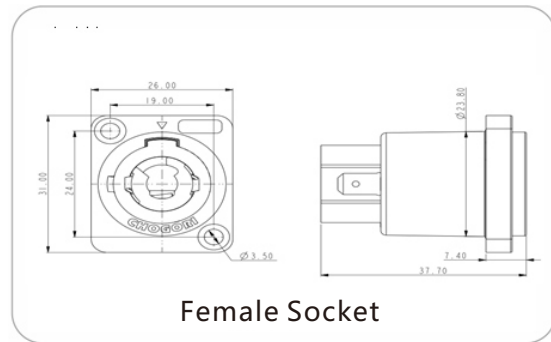
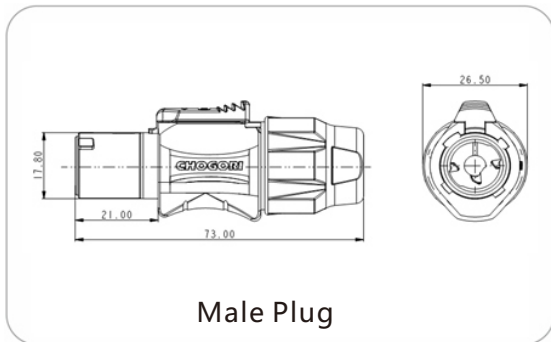
- Fast & easy twist locking system
- Safety, with finger touch proof
- Poka-yoke design
- ≥3000 times mating cycles
- With audible click when locking engaged
- RoHS



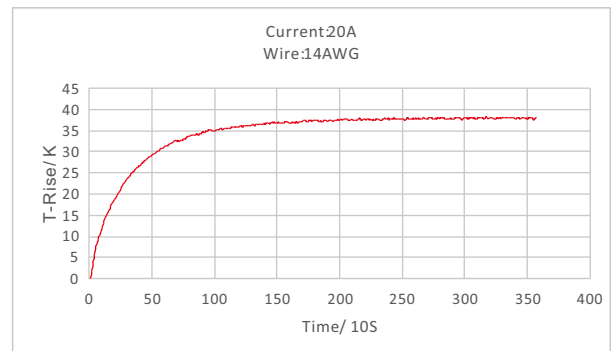
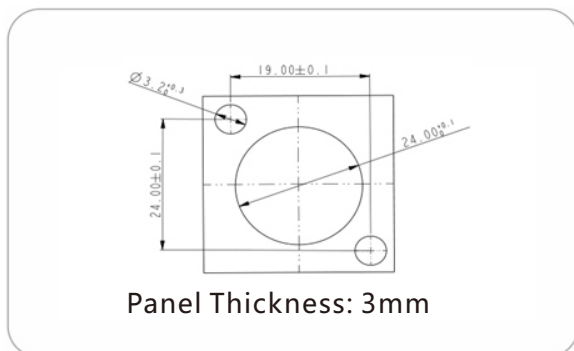
Specification

Mating Cycle : ≥3000 Times	Voltage Rating : 250V DC	Operating Temperature: -40°C~105°C	Shell : High strength thermoplastic resin
Pullout Force : <100N	Current Rating : 20A	IP Rating : IP67 Mated	Sealing : Silicone Rubber
Wire processing : Weld	Peak Current : 30A 60S	Salt Spray : 72h	Conductor : Copper Alloy, Silver Plated
	Withstand Voltage : 2500V AC	Flammability Rating : UL94V-0	
	Insulation Resistance : >100MΩ		

Size



Temperature Curve Graph



GB AC Inlet

Application

Receptacle for E-vehicle charging use

Advantages

- Meet the standards of E-vehicle GB/T20234.1, GB/T20234.2 and GB/T18487.1
- NEwSOK patented technology, temperature rise small after 10000 inserts
- Innovative use of temperature switches or sensors for customers to choose can meet different needs.
- Electromagnetic lock and mechanical lock feedback accurately to prevent hot plug-in
- Emergency unlock function

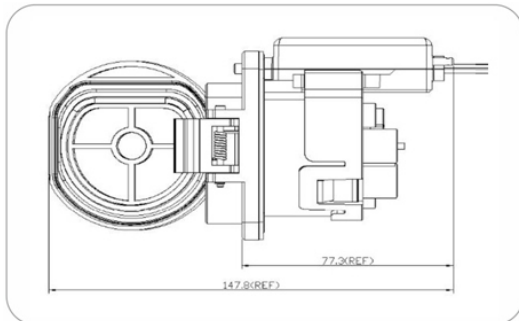


Specification

Mating Cycle : ≥ 10000 Times	Voltage Rating : 440V AC	Operating Temperature: $-30^{\circ}\text{C} \sim 50^{\circ}\text{C}$	Shell : High strength thermoplastic resin
Pullout Force : $< 100\text{N}$	Current Rating : 16/32/63A	IP Rating : IP54 Inlet; IP55 Mated	Sealing : Silicone Rubber
Wire processing : Crimping	Contact Resistance : $\leq 3\text{m}\Omega$	Relative Humidity : 0~95%	Conductor : Copper Alloy, Silver Plated
	Withstand Voltage : 2500V AC	Flammability Rating : UL94V-0	
	Insulation Resistance : $> 2000\text{M}\Omega$		

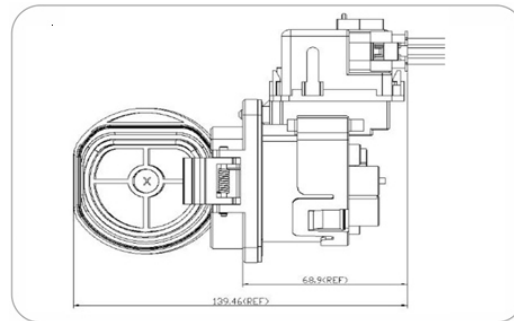
Size

车端



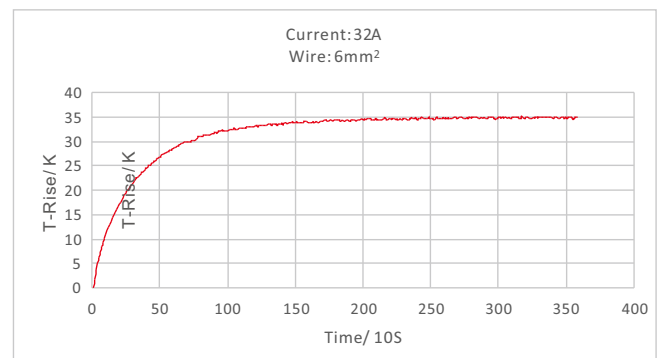
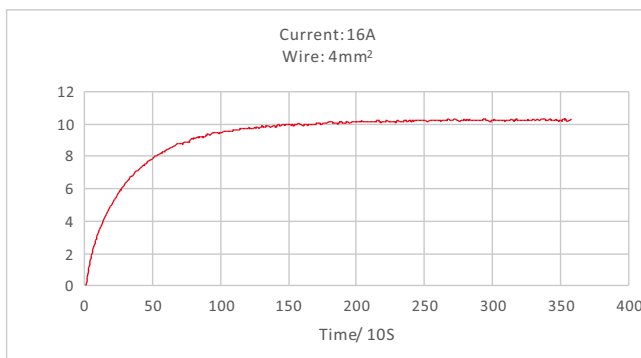
Mechanical Lock

电池端



Electromagnetic Lock

Temperature Curve Graph



Large Series

Application

For E-scooter charging & discharging use; cable solution

Advantages

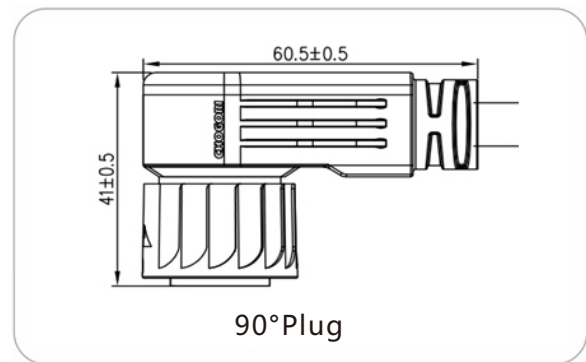
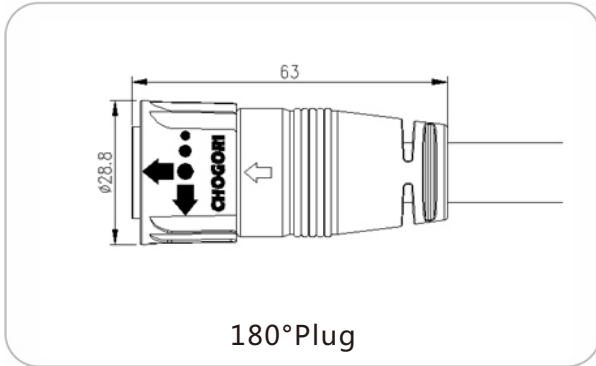
- Pin layout: 2+1+5 pins; 2+4 pins
- Push-lock locking mechanism, plug in & out easy and smooth
- With audible click when locking engaged
- ≥3000 times mating cycles
- RoHS



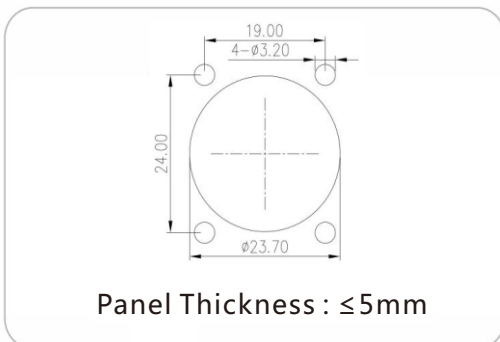
Specification

Mating Cycle : ≥3000 Times	Voltage Rating : 110V DC	Operating Temperature: -40°C~105°C	Shell : High strength thermoplastic resin
Pullout Force : <100N	Current Rating : 2(50A) + 1(15A) + 5(5A)	IP Rating : IP67 mated	Sealing : Silicone Rubber
Wire processing : Weld	2(50A) + 4(5A)	Salt Spray : 72h	Conductor : Copper Alloy, Silver/Gold Plated
	Peak Current : Power 80A 60S	Flammability Rating : UL94V-0	
	Withstand Voltage : 1500V AC		
	Insulation Resistance : >100MΩ		

Size



Temperature Curve Graph



Mate60

Application

For E-scooter charging & discharging use

Advantages

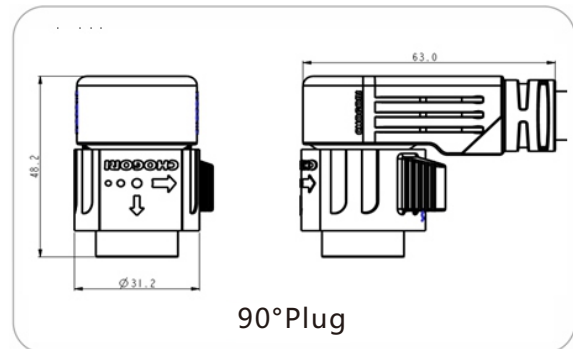
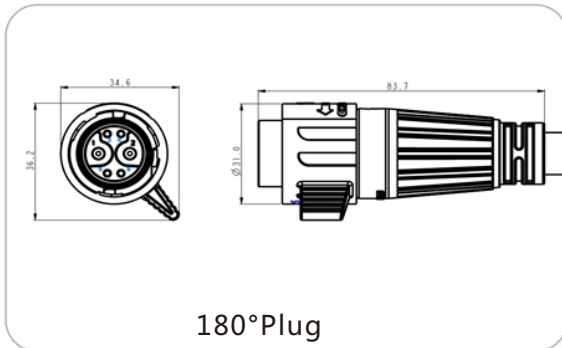
- Push-lock locking mechanism, plug in & out easy and smooth
- Locking nut with hand grip, easy access
- Safety, with finger touch proof, IPXXB protection level
- With audible click when locking engaged
- ≥3000 times mating cycles
- RoHS



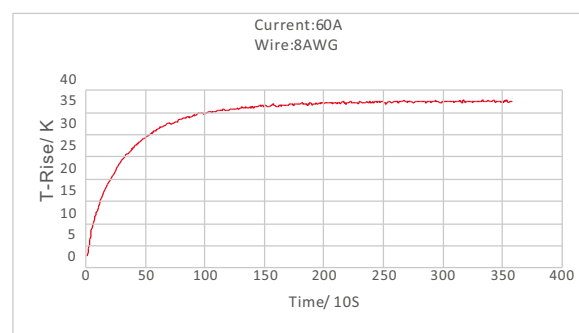
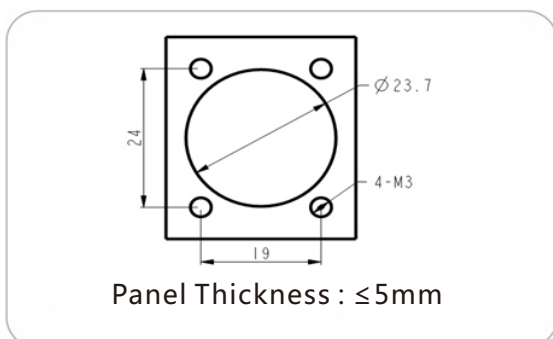
Specification

Mating Cycle : ≥3000 Times	Voltage Rating : 80V DC	Operating Temperature: -40°C~105°C	Shell : High strength thermoplastic resin
Pullout Force : <100N	Current Rating : 60A	IP Rating : IP67 Mated & Unmated	Sealing : Silicone Rubber
Wire processing : Crimping	Peak Current : Power 80A 60S	Salt Spray : 48h	Conductor : Copper Alloy, Silver/Gold Plated
	Withstand Voltage : 1000V AC	Flammability Rating : UL94V-0	
	Insulation Resistance : >100MΩ		

Size



Temperature Curve Graph



Banga100

CHOGORI®

Application

For E-scooter & E-motorcycles charging & discharging use; cable solution

Advantages

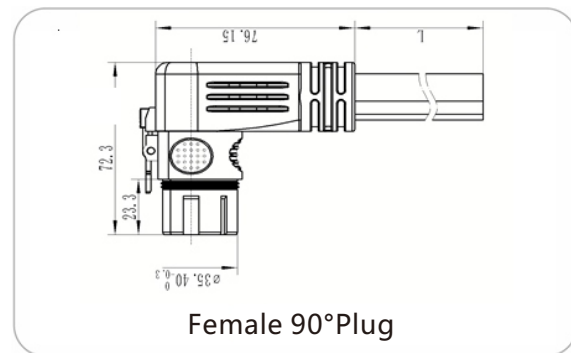
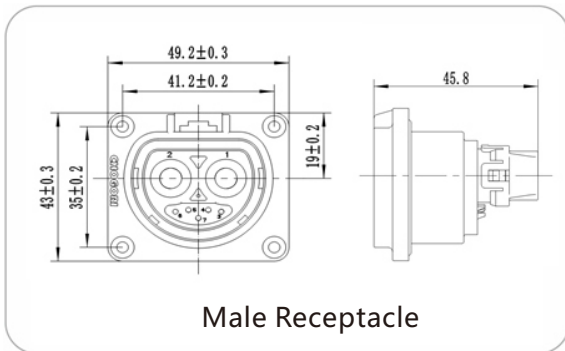
- Snap joint locking mechanism
- Self-locking button to prevent accidental unlocking
- Signal wires 0~9 for choose
- Fully reduced bending space, compact shape
- With audible click when locking engaged
- RoHS



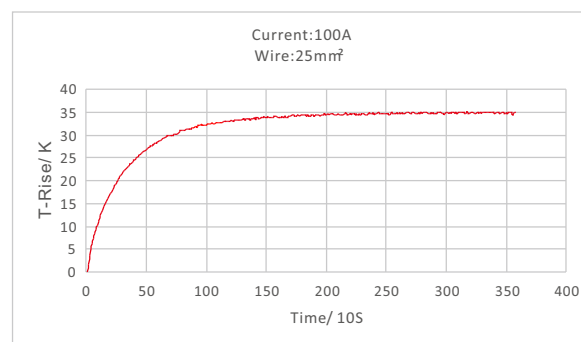
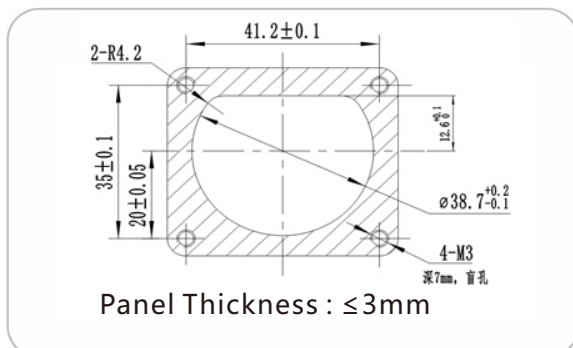
Specification

Mating Cycle : ≥ 3000 Times	Voltage Rating : 630V DC	Operating Temperature: $-40^{\circ}\text{C} \sim 105^{\circ}\text{C}$	Shell : High strength thermoplastic resin
Pullout Force : $< 100\text{N}$	Current Rating : 100A	IP Rating : IP66 mated; IP67 panel side	Sealing : Silicone Rubber
Wire processing : Crimping / Weld	Peak Current : Power 180A 30S	Salt Spray : 96h	Conductor : Copper Alloy, Silver/Gold Plated
	Withstand Voltage : 2500V AC	Flammability Rating : UL94V-0	
	Insulation Resistance : $> 100\text{M}\Omega$		

Size



Temperature Curve Graph



Middle 2+3Pin

Application

For E-scooter charging & discharging use, cable solution

Advantages

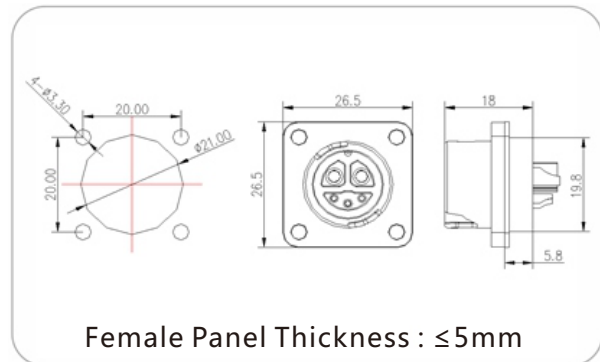
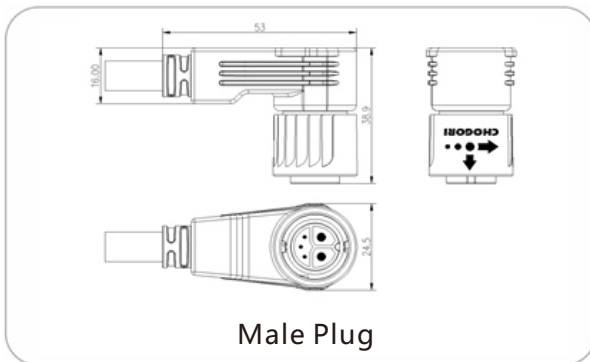
- Power & signal wires combination
- With audible click when locking engaged
- Insertion in place with "click" tone
- ≥2000 times mating cycles
- RoHS



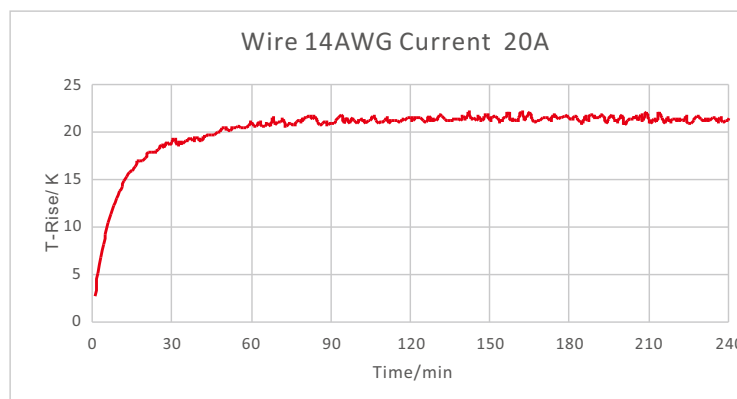
Specification

Mating Cycle : ≥2000 Times	Voltage Rating : 250V DC	Operating Temperature: -40°C~85°C	Shell : High strength thermoplastic resin
Pullout Force : <100N	Current Rating : 20A	IP Rating : IP67 Mated	Sealing : Silicone Rubber
Wire processing : Weld	Withstand Voltage : 1500V AC	Salt Spray : 72h	Conductor : Copper Alloy, Silver/Gold Plated
	Insulation Resistance : >500MΩ	Flammability Rating : UL94V-0	Wire Gauge : Max 14AWG/2.0mm ²

Size



Temperature Curve Graph



FC09 3+10Pin

Application

For E-scooter discharging use; swappable solution

Advantages

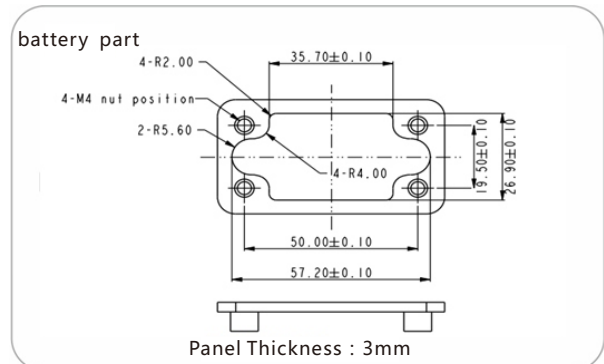
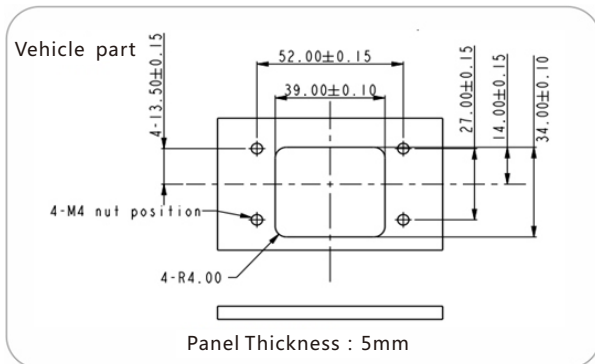
- 3 power + 10 signal pins layout
- With 1mm self-floating function, Self-correcting mating gap
- 3.6mm Newsok power terminal - Chogori Patented technology with high reliability, high current transmission capacity
- Bi-direction insertion
- ≥5000 times mating cycles
- RoHS



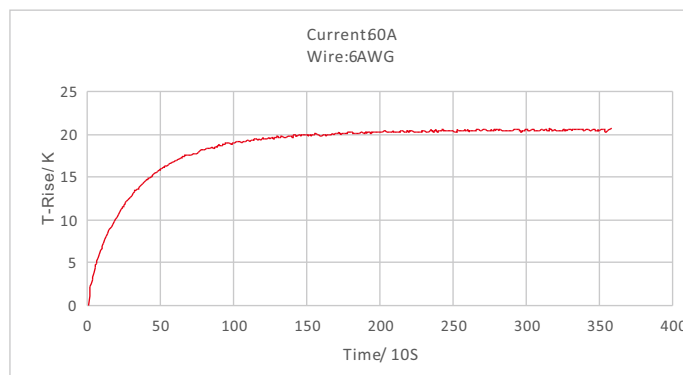
Specification

Mating Cycle : ≥5000 Times	Voltage Rating : 72V DC	Operating Temperature: -40°C~105°C	Shell : High strength thermoplastic resin
Pullout Force : <100N	Current Rating : Power 60A	IP Rating : IP67 Battery Side	Sealing : Silicone Rubber
Wire processing : Crimping / Weld	Signal 5A	Salt Spray : 72h	Conductor : Copper Alloy, Sliver/Gold Plated
	Peak Current : Power 120A 60S	Flammability Rating : UL94V-0	Guide Post : Stainless Steel
	Withstand Voltage : 1500V AC		
	Insulation Resistance : >500MΩ		

Panel Cut-Out



Temperature Curve Graph



FC04 2+10Pin

CHOGORI®

Application

For E-scooter & E-motorcycles discharging use; swappable solution

Advantages

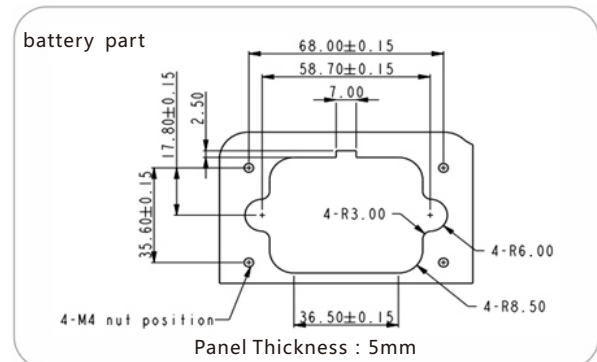
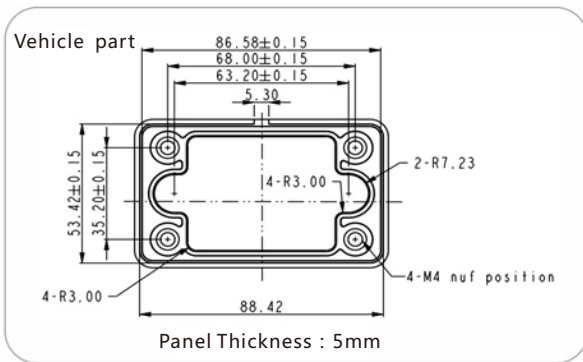
- 2 power + 10 signal pins layout
- With 1mm self-floating function, Self-correcting mating gap
- 5.7mm Newsok power terminal-Chogori Patented technology with high reliability, high current transmission capacity
- Poka-yoke design on under connector installation & connector mating
- ≥5000 times mating cycles
- RoHS



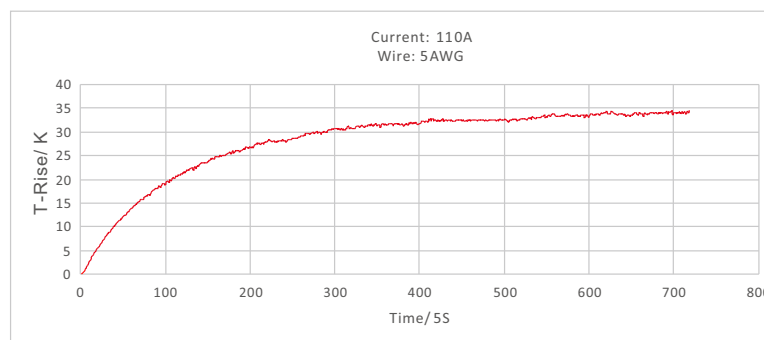
Specification

Mating Cycle : ≥5000 Times	Voltage Rating : 120V DC	Operating Temperature: -40°C~105°C	Shell : High strength thermoplastic resin
Pullout Force : <100N	Current Rating : Power 110A	IP Rating : IP67 Battery Side	Sealing : Silicone Rubber
Wire processing : Crimping / Weld	Signal 2.5A	Salt Spray : 72h	Conductor : Copper Alloy, Sliver/Gold Plated
	Peak Current : Power 200A 15S	Flammability Rating : UL94V-0	Guide Pin : Stainless Steel
	Withstand Voltage : 1500V AC		
	Insulation Resistance : >500MΩ		

Panel Cut-Out



Temperature Curve Graph



Micro A Series 2~6Pin

CHOGORI®

Application

Signal connectors suitable for harsh environments

Advantages

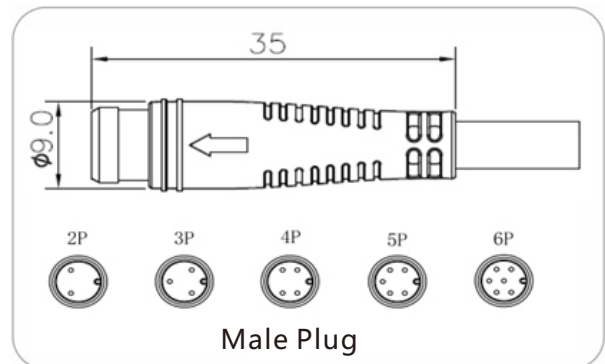
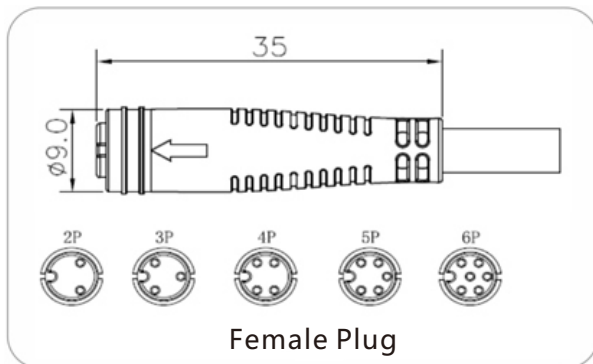
- Quick plug in & out
- Poka-yoke design on contact surface
- Small size
- Overmolding structure, clean & flexible
- RoHS



Specification

Mating Cycle : ≥ 200 Times	Voltage Rating : 48V AC	Operating Temperature: $-25^{\circ}\text{C} \sim 80^{\circ}\text{C}$	Shell : TPU
Pullout Force : $> 30\text{N}$	Current Rating : 2A	IP Rating : IP66 Mated	Conductor : Copper Alloy, Gold Plated
Wire processing : Weld	Withstand Voltage : 300V DC	Salt Spray : 48h	Wire Gauge : 2-4Pin 24AWG/0.2mm ²
	Insulation Resistance : $> 20\text{M}\Omega$	Flammability Rating : UL94V-0	5-6芯 26AWG/0.14mm ²

Size



Application Picture



Dream Series 7Pin

CHOGORI®

Application

Signal connectors suitable for harsh environments

Advantages

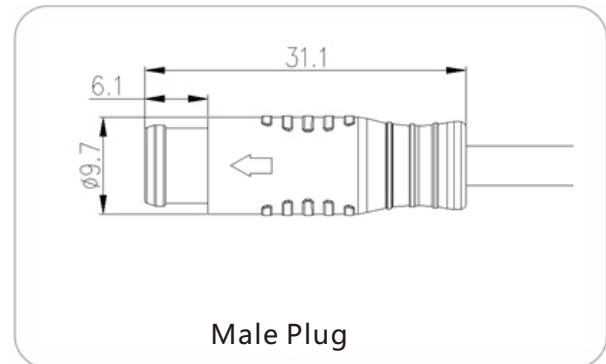
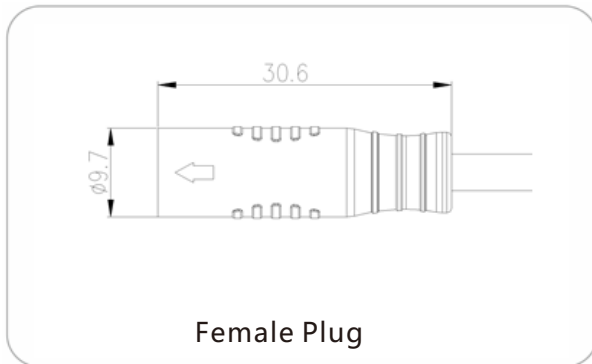
- Quick plug in & out
- Poka-yoke design on contact surface
- Small size
- Overmolding structure, clean & flexible
- RoHS



Specification

Mating Cycle : ≥ 200 Times	Voltage Rating : 48V AC	Operating Temperature: -25°C~80°C	Shell : TPU
Pullout Force : > 30N	Current Rating : 2A	IP Rating : IP66 Mated	Conductor : Copper Alloy, Gold Plated
Wire processing : Weld	Withstand Voltage : 300V DC	Salt Spray : 48h	Wire Gauge : 26AWG/0.14mm ²
	Insulation Resistance : >20M Ω	Flammability Rating : UL94V-0	

Size



Application Picture



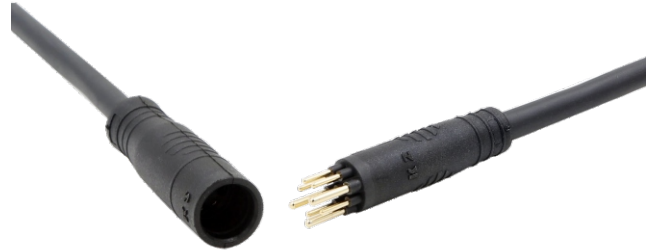
Dream Series Motor3+6

Application

For E-bikes motor connection

Advantages

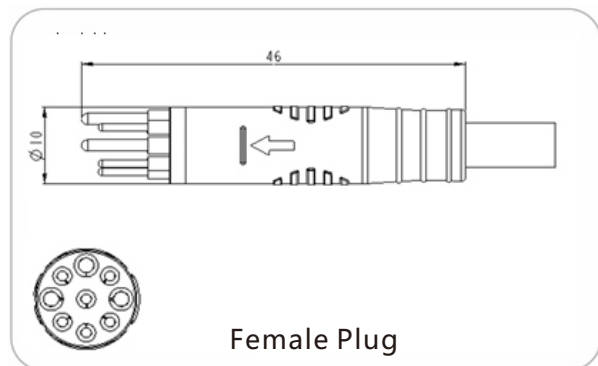
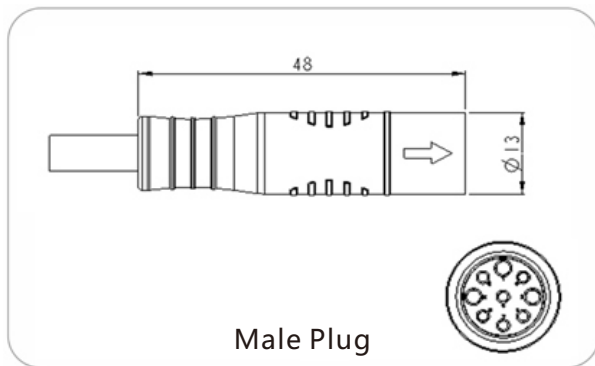
- Quick plug in & out
- Small size
- Motor three-phase wires & signal wires combination
- Plug with protective cover
- RoHS



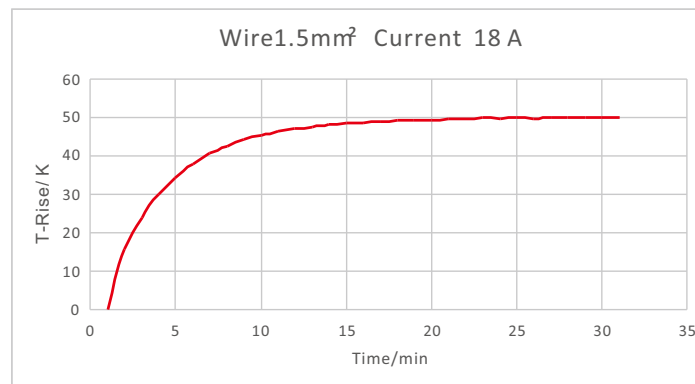
Specification

Mating Cycle : ≥ 200 Times	Voltage Rating : 48V AC	Operating Temperature: $-25^{\circ}\text{C} \sim 80^{\circ}\text{C}$	Shell : Nylon
Pullout Force : $< 90\text{N}$	Current Rating : 15A	IP Rating : IP66 Mated	Conductor : Copper Alloy, Gold Plated
Wire processing : Weld	Peak Current : 18A 30S	Salt Spray : 48h	Wire Gauge : Max3*16AWG/1.5mm ²
	Withstand Voltage : 700V AC	Flammability Rating : UL94V-0	+6* 26AWG/0.14mm ²
	Insulation Resistance : $> 20\text{M}\Omega$		

Size



Temperature Curve Graph



M12 2+3Pin

CHOGORI®

Application

For E-scooter charging & discharging use, cable solution

Advantages

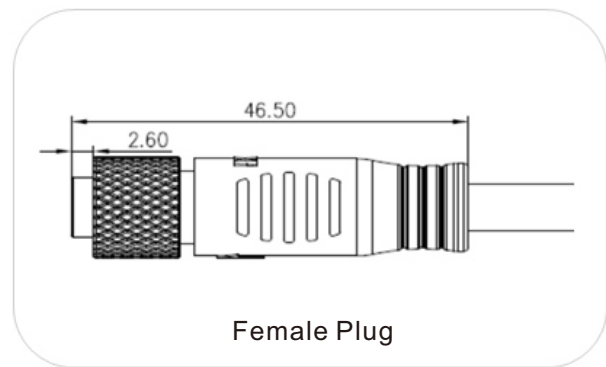
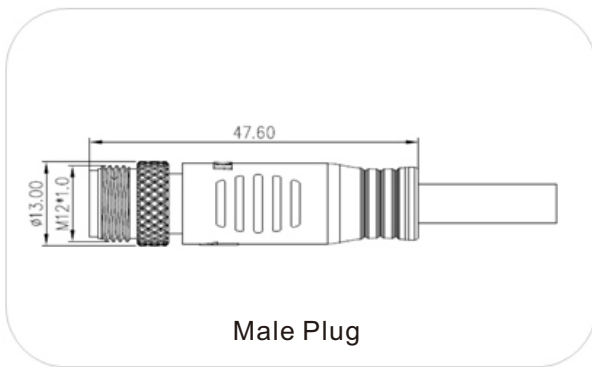
- Metal nut connection, smooth feeling
- Power & signal wires combination
- Overmolding structure, clean & flexible
- RoHS



Specification

Mating Cycle : ≥ 200 Times	Voltage Rating : 250V DC	Operating Temperature: $-40^{\circ}\text{C} \sim +85^{\circ}\text{C}$	Shell : High strength thermoplastic resin
Pullout Force : $< 100\text{N}$	Current Rating : 15A	IP Rating : IP67 Mated	Sealing : Silicone Rubber
Wire processing : Weld	Withstand Voltage : 1500V AC	Salt Spray : 48h	Conductor : Copper Alloy, Silver/Gold Plated
	Insulation Resistance : $> 500\text{M}\Omega$	Flammability Rating : UL94V-0	Wire Gauge : Max 14AWG/2.0mm ²

Size



Temperature Curve Graph

