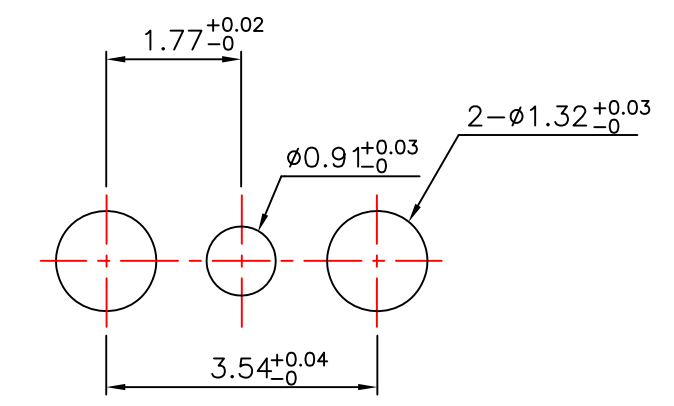
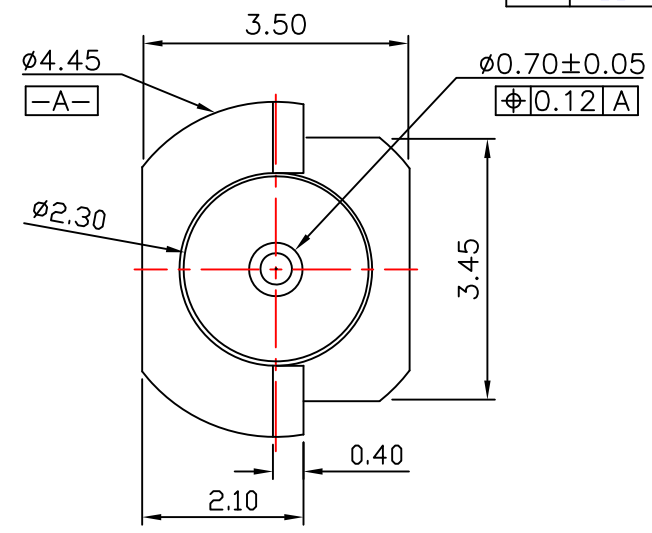
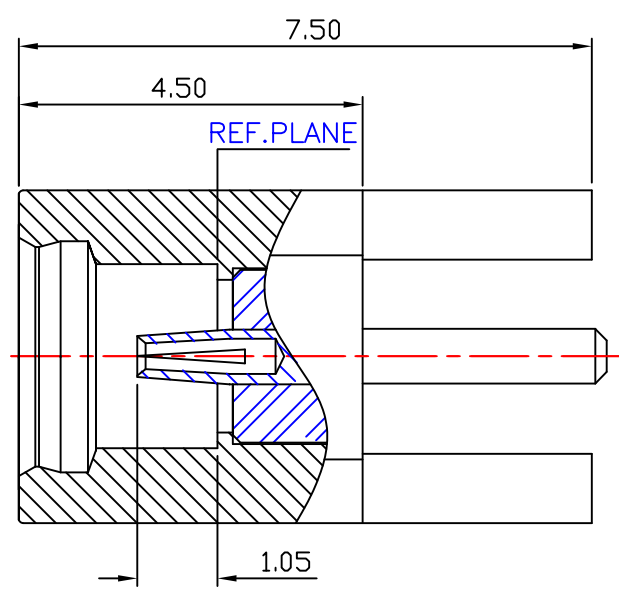


REV.	DESCRIPTION	DRAWN	ECN	DATE
I	SEE ECN(M92-0634)	JACK	03-278	06-20'2003
J	ADD. $\phi 2.30$	TINA	07-014	01-10'2007



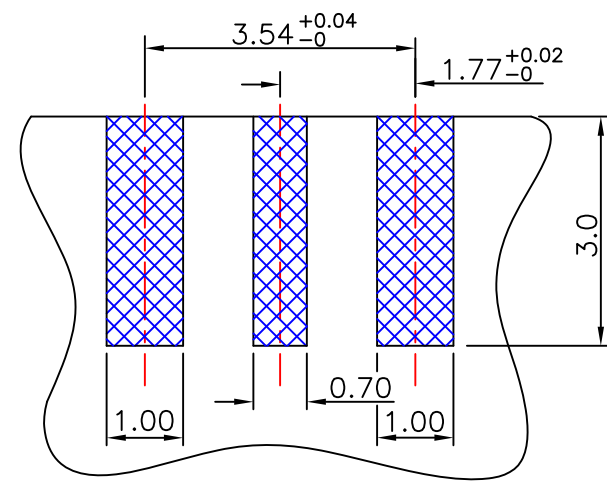
Recommended PCB Hole

PART NUMBER	FINISHED	PACKAGE	QT'Y
M100-000A	GOLD	TAPE&REEL	2000 pcs/13" Reel
M100-001A	NICKEL		
M100-020A	GOLD	TRAY	100 pcs / Tray

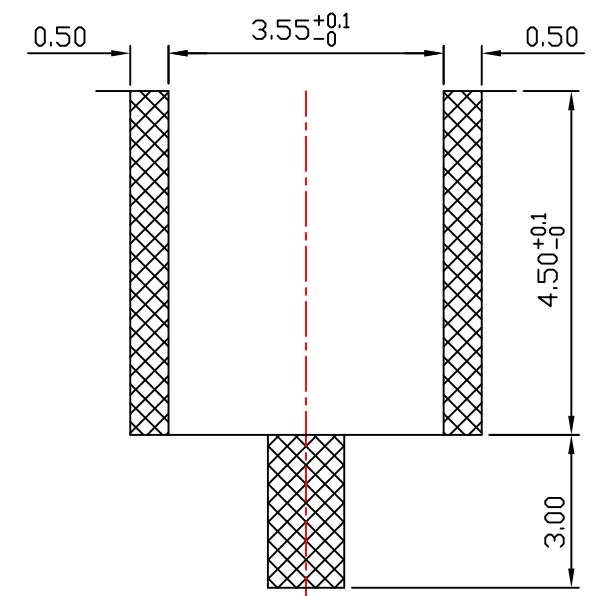
DESCRIPTION	MATERIALS	FINISHED
INSULATOR	TEFLON	NONE
CONTACT	BE.COPPER	GOLD
BODY	BRASS	GOLD / NICKEL

ELECTRICAL PERFORMANCE :

1. IMPEDANCE : 50 Ohms
2. FREQUENCY RANGE : 0~6 GHz
3. WORKING VOLTAGE : 170 Vrms MAX
4. DIALECTRIC WITHSTANDING VOLTAGE : 500 Vrms MAX



RECOMMENDED SOLDERING LAYOUT



RECOMMENDED SOLDERING LAYOUT

RoHS
COMPLIANT
2002/95/EC

UNLESS OTHERWISE SPECIFIED ALL TOLERANCES ARE:	
DIMENSION	ANGLE
INTEGRAL DIMENSIONS ±1.0	ANGULAR DIMENSIONS ±5.0°
1 PLACE DECIMAL ±0.3	HOLES UNDER $\phi 0.5 \pm 0.1$
2 PLACE DECIMALS ±0.15	ROUGHNESS
	FINISH: SEE TABLE
	MATERIAL: SEE TABLE



DRAWN BY:	Whaiki Ma	DATE:	05.12.'98
ENGR BY:	JEFF	DATE:	12.22/98"
APVD BY:		DATE:	

TITLE: MMCX STRAIGHT JACK EDGE MOUNT RECEPTACLE			
Model NO:		M100-0**A	
Drawing NO.:		M100-0**A	
UNIT:	MM	SIZE:	A4
SCALE:	10:1	REV.	J
SHEET	1	OF	1
CAD FILE : Z:\Sales\MMCX\			