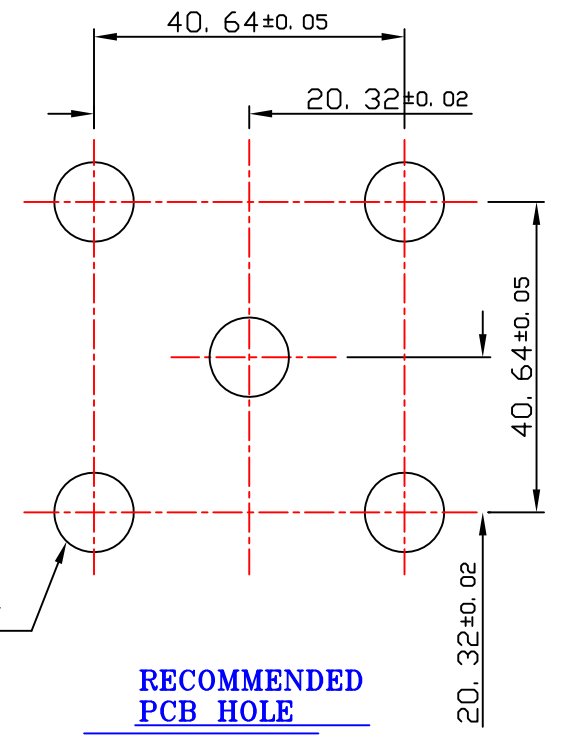
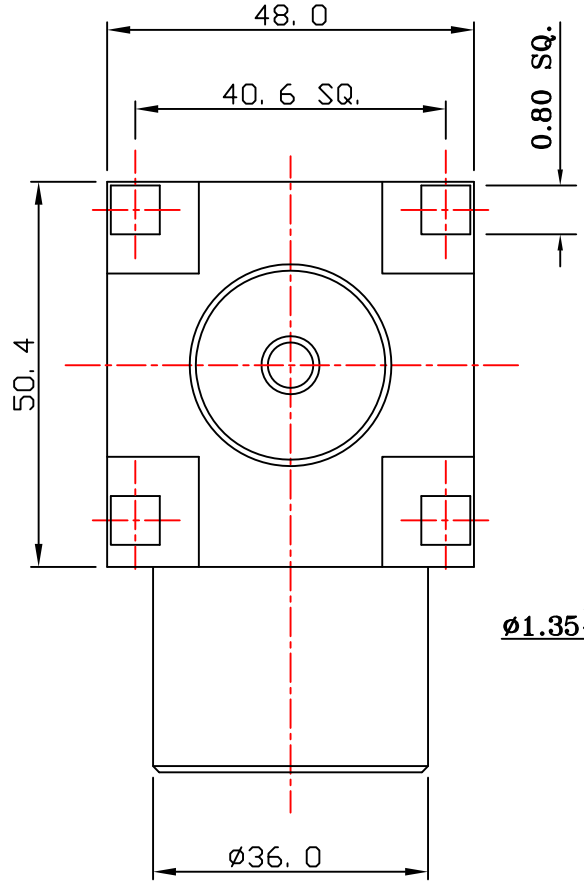
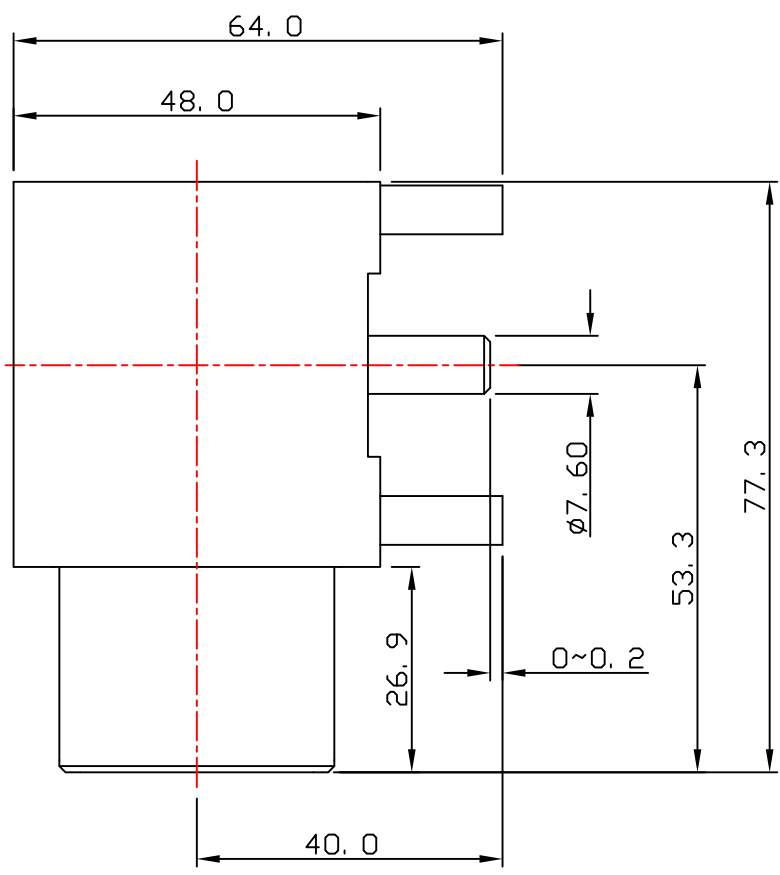




REV.	DESCRIPTION	DRAWN	ECN	DATE
A	NEW RELEASE	ANGELA	00-296	08-24'2000



ELECTRICAL PERFORMANCE:
 1. IMPEDANCE : 50 Ohms
 2. FREQUENCY RANGE : 0~6 GHz
 3. WORKING VOLTAGE : 335 Vrms MAX
 4. DIELECTRIC WITHSTANDING VOLTAGE : 1000 Vrms MAX

DESCRIPTION	MATERIALS	FINISHED
CONTACT	BE.COPPER	GOLD 30u"
INSULATOR (2)	TEFLON	NONE
BODY (2)	BRASS	GOLD
INSULATOR (1)	TEFLON	NONE
BODY (1)	BRASS	GOLD

RoHS
 COMPLIANT
 2002/95/EC

UNLESS OTHERWISE SPECIFIED ALL TOLERANCES ARE:			
DIMENSION	ANGLE		
INTEGRAL DIMENSIONS ±1.0	ANGULAR DIMENSIONS ±5.0°		
1 PLACE DECIMAL ±0.5	HOLES UNDER Ø0.5 ±0.1		
2 PLACE DECIMALS ±0.25	ROUGHNESS		
	FINISH: SEE TABLE	MATERIAL: SEE TABLE	



TITLE: MCX R/A JACK PCB RECEPTACLE				
Model NO:		X102-010A		
DRAWN BY:		ANGELA	DATE:	08-24'2000
ENGR BY:		ANGELA	DATE:	08-24'2000
APVD BY:			DATE:	
Drawing NO.:	X102-010A	UNIT:	MM	SIZE: A4
SCALE:	8:1	SHEET:	1 OF 1	REV. A
CAD FILE :		Z:\sales\MCX		