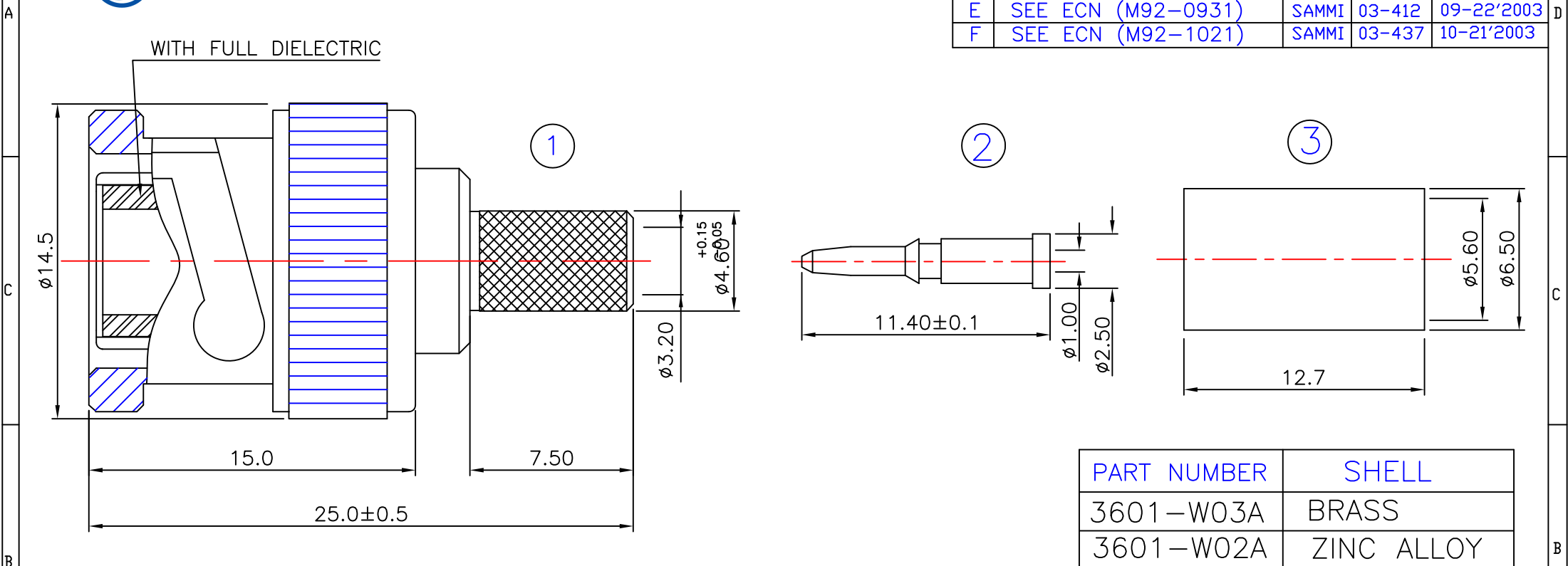


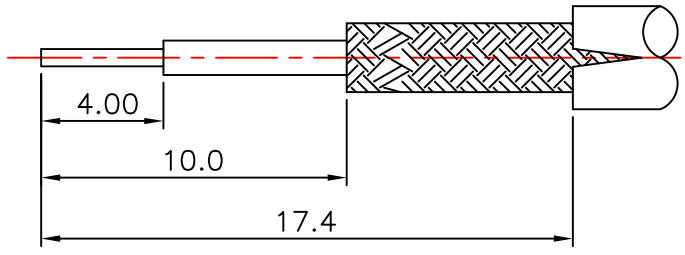


| REV. | DESCRIPTION | DRAWN | ECN | DATE |
|------|--------------------------------|-------|--------|------------|
| G | 25.4±0.5=>25.0±0.5 | TINA | 08-154 | 06-25'2008 |
| D | 3601-W03A=>3601-W**A(M92-0636) | JACK | 03-277 | 06-19'2003 |
| E | SEE ECN (M92-0931) | SAMMI | 03-412 | 09-22'2003 |
| F | SEE ECN (M92-1021) | SAMMI | 03-437 | 10-21'2003 |



| PART NUMBER | SHELL |
|-------------|------------|
| 3601-W03A | BRASS |
| 3601-W02A | ZINC ALLOY |

- ELECTRICAL PERFORMANCE:**
- 1.NOMINAL IMPEDANCE: 50 OHMS.
 - 2.FREQUENCY RANGE: 0-4 GHz.
 - 3.WORKING VOLTAGE: 500 V.
 - 4.DIELECTRIC WITHSTANDING VOLTAGE: 1500 VOLTS RMS



Recommended Cable Stripping DIM'S

| ITEM | DESCRIPTION | MATERIAL | FINISHED |
|------|------------------|-----------|----------|
| 3 | FERRULE | BRASS | NICKEL |
| 2 | CONTACT | BRASS | GOLD |
| 1 | SHELL | SEE TABLE | NICKEL |
| | GASKET | RUBBER | NONE |
| | WASHER | STEEL | NICKEL |
| | SPRING WASHER | SK-5 | NICKEL |
| | RETAINING WASHER | STEEL | NICKEL |
| | INSULATOR | DELIRIN | NONE |
| | BODY | BRASS | NICKEL |

RoHS
COMPLIANT
2002/95/EC

| UNLESS OTHERWISE SPECIFIED ALL TOLERANCES ARE: | |
|--|--------------------------|
| DIMENSION | ANGLE |
| INTEGRAL DIMENSIONS ±1.0 | ANGULAR DIMENSIONS ±5.0° |
| 1 PLACE DECIMAL ±0.5 | HOLES UNDER Ø0.5 ±0.1 |
| 2 PLACE DECIMALS ±0.25 | ROUGHNESS |
| | FINISH: SEE TABLE |
| | MATERIAL: SEE TABLE |



| | | | |
|-----------|------|-------|------------|
| DRAWN BY: | TINA | DATE: | 02-03'2000 |
| ENGR BY: | TINA | DATE: | 02-03'2000 |
| APVD BY: | | DATE: | |

| | | | |
|--|-----|----------|--------|
| TITLE: BNC STRAIGHT PLUG CRIMP TYPE FOR RG58/U CABLE | | | |
| Model NO: 3601-WXXA | | | |
| Drawing NO: 3601-WXXA | | | |
| UNIT: | MM | SIZE: A4 | REV. G |
| SCALE: | 4:1 | SHEET 1 | OF 1 |
| CAD FILE : Z:\sales\BNC\ | | | |