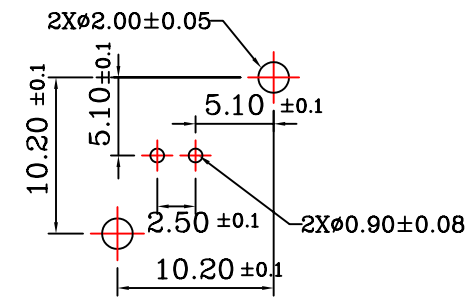
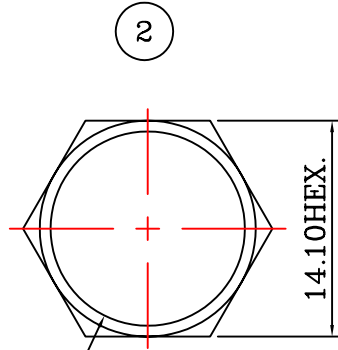
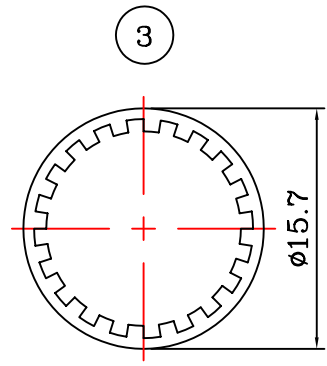


**Recommended Panel Hole**



**Recommended PCB Hole**



1/2-28UNEF-2B

ORDER No.	BRAND/COLOR
3108-010A	NONE/WHITE
3108-110A	IO /WHITE
3108-020A	NONE/BLACK
3108-120A	IO /BLACK

ITEM	DESCRIPTION	MATERIALS	FINISHED	PART NUMBER	Q'TY
3	WASHER	SK-5	NICKEL	080001-1	1
2	NUT	BRASS	NICKEL	070001-1	1
1	CONTACT	P.BRONZE	GOLD+TIN	3108-***A1	1
	GND	Cu COVERED STEEL	TIN		1
	INSULATOR	P.P UL 94HB	NONE		1
	BODY	ZINC ALLOY	NICKEL		1
	HOUSING	P.B.T.+30%GF	NONE		1
	POST	BRASS	TIN		2

**ELECTRICAL PERFORMANCE:**

- 1.Nominal Impedance : 50 ohms.
- 2.Frequency Range : 0 ~ 4 GHz.
- 3.Working Voltage : 500 V.
- 4.Insulator Resistance : 5000 Megohms minimum.
- 5.Dielectric Withstanding Voltage : 1500 Volts Rms.

REV.	DESCRIPTION	ECN	DRAWN	DATE
H	SEE ECN	99-432	TINA	01-26'2000
G	SEE ECN	98-322	ANGELA	11-06/98
F	CHANGE DIMENSION	98-118	ALLEN	05-04/98

**REVISIONS**

REMARKS:

TOLERANCES:  
DIM. XX=±0.3  
UNIT: mm XXX=±0.15

TITLE:  
BNC STRAIGHT JACK PCB RECEPTACLE

DESIGNED: LIN YI FUN 09-05/96  
DRAWN: ALLEN 05-04/98

SHEET: 1 OF 1  
SCALE: 2:1

DWG NO.: 3108

CHECKED: APPROVAL:

LAYER: ASY REV. H

**INPUT OUTPUT**

P/No.: S-3108-\*\*\*A