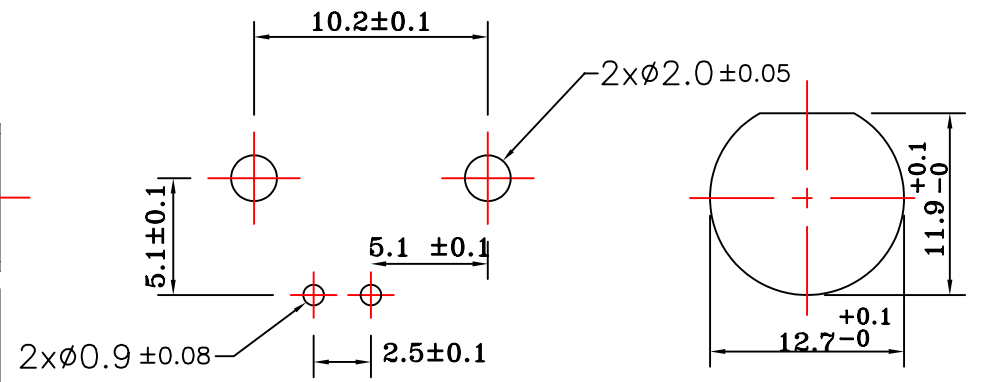
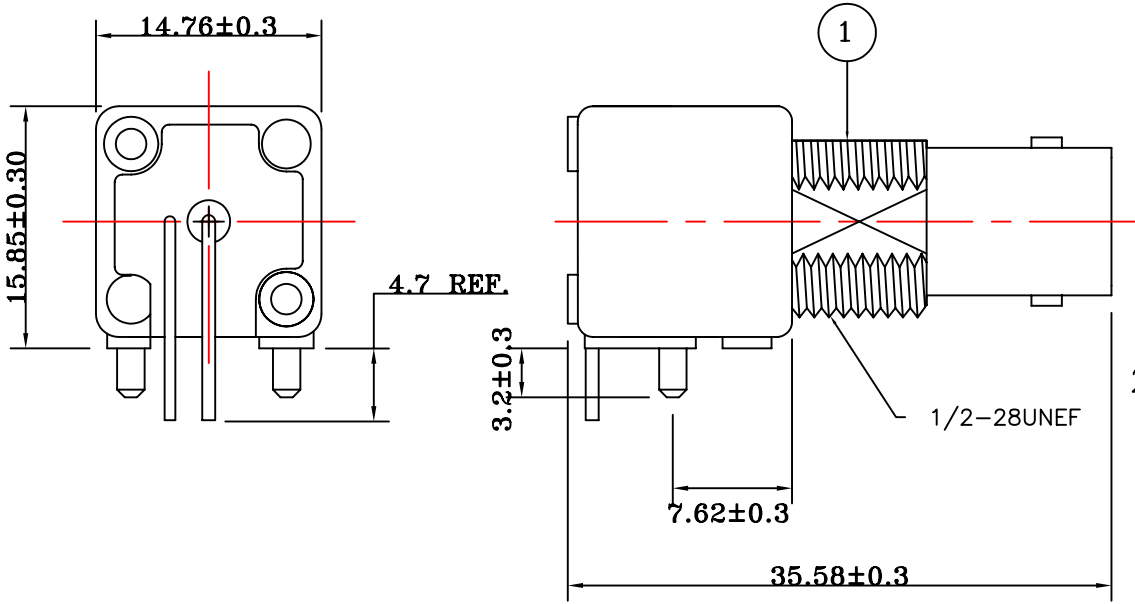




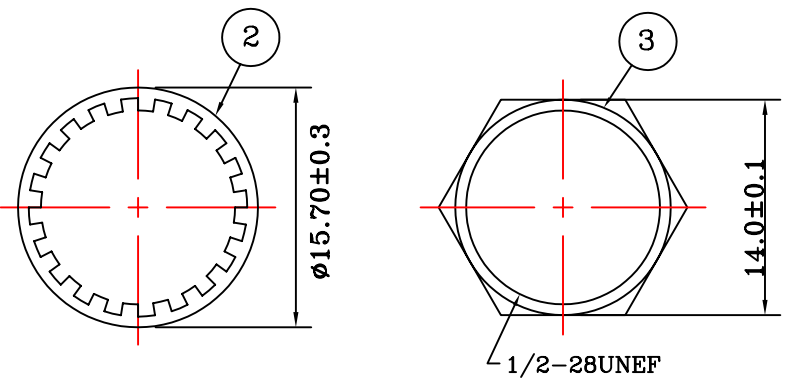
REV.	DESCRIPTION	DRAWN	ECN	DATE
C	SEE ECN	ANGELA	98-410	12-22'98
D	SEE ECN	TINA	06-353	12-26'2006



PCB HOLE CONFIGURATION PANEL CUTOUT

- NOTES:**
- 1.NOMINAL IMPEDANCE 50 OHMS.
 - 2.FREQUENCY RANGE:0- 4 GHz.
 - 3.MAX PEAK VOLTAGE: 500V.
 - 4.INSULATION RESISTANCE: 5000 MEGOHMS MIN.
 - 5.DIELECTRIC WITHSTANDING VOLTAGE:1500 VOLTS RMS.

ORDER NO.	BRAND
3105-000A	NONE
3105-100A	IO



ITEM	DESCRIPTION	MATERIAL	PLATING	PART NUMBER	QTY
3	NUT	BRASS	NICKEL	073000-109	1
2	LOCK WASHER	SK-5	NICKEL	083000-509	1
1	GROUNDING POST	Cu COVERED STEEL	TIN	3105-***A1	1
	CONTACT	BRASS	TIN		
	INSULATOR	P.BRONZE	GOLD & TIN		
	BODY	P.P.	NONE		
		ZINC ALLOY	NICKEL		

RoHS
COMPLIANT
2002/95/EC

UNLESS OTHERWISE SPECIFIED ALL TOLERANCES ARE:

DIMENSION	ANGLE
INTEGRAL DIMENSIONS ±1.0	ANGULAR DIMENSIONS ±5.0°
1 PLACE DECIMAL ±0.3	HOLES UNDER ∅0.5 ±0.1
2 PLACE DECIMALS ±0.15	ROUGHNESS

FINISH: SEE TABLE MATERIAL: SEE TABLE



TITLE: **BNC R/A JACK PCB RECEPTACLE**

Model NO: 3105-***A

Drawing NO: 3105-***A

DRAWN BY:	DATE: 08-29'95	UNIT: MM	SIZE: A4	REV. D	CAD FILE :
ENGR BY:	DATE:	SCALE: 2:1	SHEET 1	OF 1	Z:\Sales\BNC\
APVD BY:	DATE:				