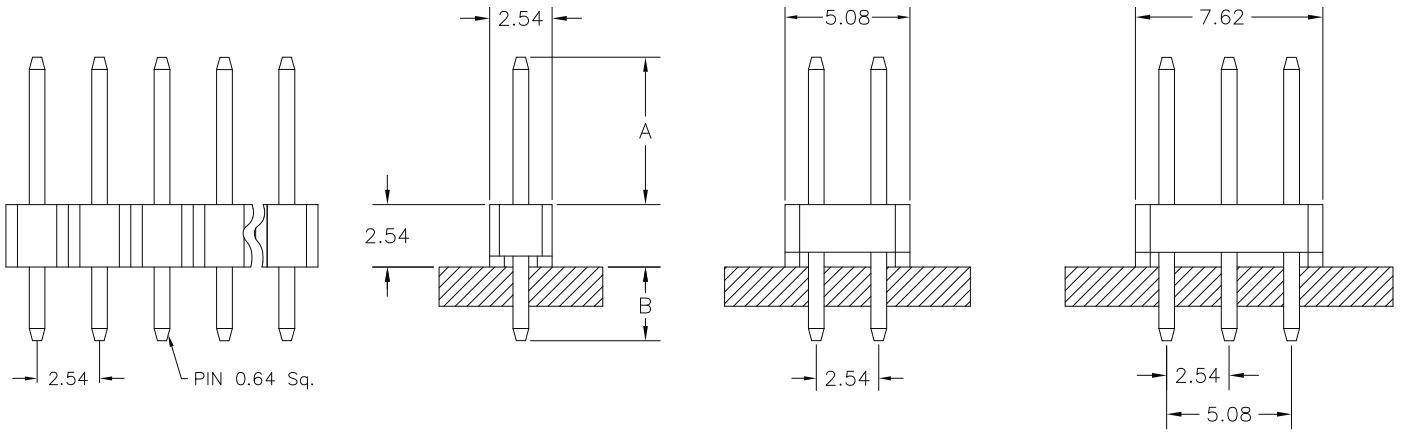
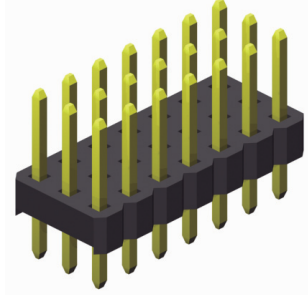
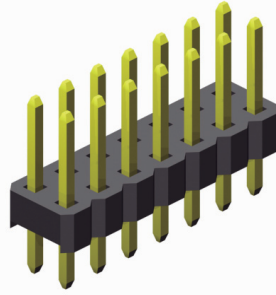
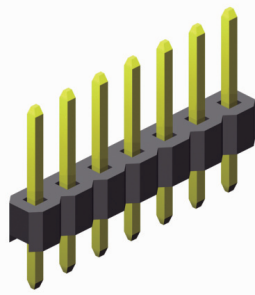


# 2.54mm pitch Pin Header

- THT - straight



Pin code	DIM "A" mm/inch	DIM "B" mm/inch	Pin code	DIM "A" mm/inch	DIM "B" mm/inch	Pin code	DIM "A" mm/inch	DIM "B" mm/inch
<b>116 / 01</b>	<b>6.00/.236</b>	<b>3.10/.122</b>	<b>105 / 04</b>	6.00/.236	2.00/.079	<b>168 / 01</b>	11.00/.433	3.30/.130
<b>076 / 01</b>	3.40/.124	2.70/.106	<b>108 / 09</b>	6.10/.240	2.16/.085	<b>176 / 02</b>	11.80/.465	3.30/.130
<b>125 / 04</b>	3.30/.123	6.70/.264	<b>147 / 06</b>	6.10/.240	6.10/.240	<b>184 / 10</b>	12.30/.484	3.60/.142
<b>105 / 05</b>	4.20/.165	3.60/.142	<b>147 / 02</b>	7.00/.276	5.11/.201	<b>186 / 01</b>	12.40/.488	3.80/.150
<b>108 / 10</b>	4.30/.169	4.00/.157	<b>125 / 01</b>	7.00/.276	3.00/.118	<b>184 / 02</b>	12.60/.496	3.00/.118
<b>105 / 01</b>	5.00/.197	3.00/.118	<b>125 / 02</b>	7.50/.295	2.54/.100	<b>216 / 07</b>	12.80/.504	6.30/.248
<b>108 / 12</b>	5.00/.197	3.30/.130	<b>135 / 05</b>	8.00/.315	2.80/.110	<b>184 / 01</b>	12.90/.508	3.00/.118
<b>108 / 11</b>	5.50/.216	2.80/.110	<b>140 / 03</b>	8.50/.335	3.00/.118	<b>185 / 04</b>	13.00/.512	3.00/.118
<b>108 / 02</b>	5.70/.224	2.54/.100	<b>140 / 02</b>	9.00/.354	2.54/.100	<b>204 / 01</b>	14.90/.586	3.00/.118
<b>139 / 01</b>	5.70/.224	5.70/.224	<b>155 / 01</b>	9.80/.386	3.15/.124	<b>228 / 01</b>	17.30/.681	3.00/.118
<b>108 / 01</b>	5.80/.228	2.50/.098	<b>184 / 03</b>	10.50/.413	5.11/.201	<b>261 / 01</b>	17.80/.700	5.80/.228
<b>113 / 02</b>	5.80/.228	3.00/.118	<b>155 / 06</b>	10.80/.425	2.20/.087	<b>240 / 02</b>	18.50/.728	3.00/.118
<b>100 / 01</b>	6.00/.236	1.50/.059	<b>159 / 06</b>	10.80/.425	2.54/.100	<b>245 / 01</b>	19.00/.748	3.00/.118

Standard dimension & pin code

Many other dimensions available on request

## SPECIFICATIONS

Current rating	3 A	Operating temperature	- 40°C to +105°C
Insulator resistance	1000 MΩ min.	Insulator material (RoHS compliant)	P.B.T. or Nylon UL 94 V-0
Withstanding voltage	500 V AC	Contact material (RoHS compliant)	<b>Standard</b> : P.B.T.
Breakdown voltage	1800 VRMS min.		Brass

## How to order

SL x - xxx - S xxx/xx - 55

Rows	Nbr of pins	Insulator	Pin code	Plating
<b>1</b> = single row	single row = <b>002</b> to <b>040</b>	<b>S</b> = P.B.T.	See above table	<b>55</b> = gold (standard)
<b>2</b> = dual row	dual row = <b>004</b> to <b>080</b>	<b>SH</b> = Nylon		<b>99</b> = tin (leadfree)
<b>3</b> = triple row	triple row = <b>009</b> to <b>120</b>			<b>95</b> = tin/gold (tin leadfree)
				Other platings on request