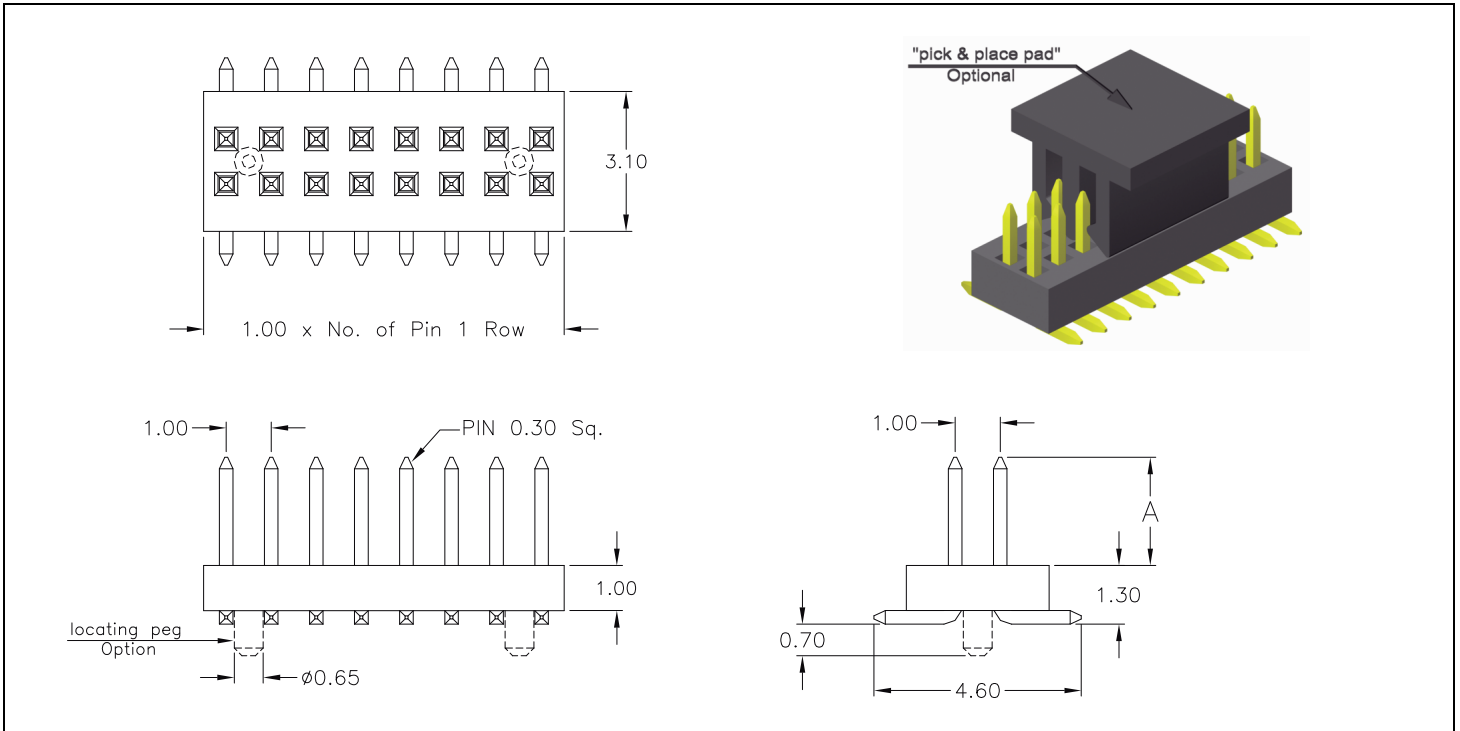


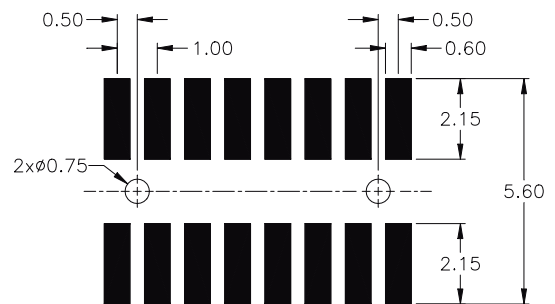
1.00mm pitch Pin Header
 - SMT - low profile dual row



APPLICATION AND FEATURES

- **Standard: tube packing and without "locating pegs"**
- Assures reliable PC Board connections
- Fine pitch, low profile type with 0.30mm square pin
- Mate with female header BS2-xxx-H222-55/00X then "board to board" distance 3.60mm

PCB Surface Mount Layout



SPECIFICATIONS

Current rating	1 A
Insulator resistance	100 MΩ min.
Withstanding voltage	500 V AC

Operating temperature	- 40°C to +105°C
Processing temperature	+250°C +0/-5°C for 10sec.
Contact material	(RoHS compliant) Copper alloy
Insulator material	(RoHS compliant) Nylon UL 94 V-0

How to order

SS2 - xxx - H 18/x - 55/ 00 X

Nbr of pins 008 to 100	Pin code 18/0	DIM "A" 1.90 mm	Plating 55 = gold Other platings on request	Packing and "pick & place pad" Option without "locating pegs" A = tube packing; with pick & place pad B = reel packing; with pick & place pad with "locating pegs" C = tube packing; without pick & place pad D = tube packing; with pick & place pad E = reel packing; with pick & place pad
----------------------------------	-------------------------	---------------------------	--	---