

# MICRO SERIES

## CHOGORI

### Micro Series Specifications

#### Micro B Series: Male Connector/ Female Connector

Description	Molded, 180° Direct plug-in, Male Plug	Molded, 180° Direct plug-in, Female Plug
Figure		

Drawing		
---------	--	--

Part-No.	Contacts	Part-Number	Contacts	Part-Number
		2	40002151-01	2
	3	40003151-01	3	40003451-01
	4	40004151-01	4	40004451-01
	5	40005151-01	5	40005451-01
	6	40006151-01	6	40006451-01

#### Specifications


Number of Contacts	2	3	4	5	6
Wire Gauge	0.14mm <sup>2</sup> ~0.20mm <sup>2</sup>				
Cable Range	∅3.7mm~4.1mm				
Environmental Protection	IP66 (Mated)				
Mechanical Life	200 cycles				
Operating Temperature	-25°C~+80°C				
Breakdown Voltage	≥ AC 500V / 1Minute				
Contact Resistance	≤20mΩ Max				
Insulation Resistance	≥ 20MΩ Min				
Rated Current (40°C)	2.0A				

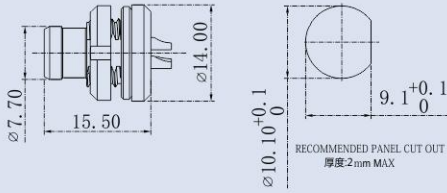
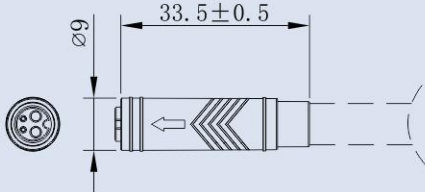
# MICRO SERIES

## CHOGORI

### Micro Series Specifications

#### Micro B Series: Male Connector/ Female Connector

Description	Front Panel Mount, 180° Direct plug-in, Male Panel Mount	Molded, 180° Direct plug-in, Female Plug
Figure		

Drawing		
---------	-----------------------------------------------------------------------------------	------------------------------------------------------------------------------------

Part-No.	Contacts	Part-Number	Contacts	Part-Number
		2+2	13202555-01	2+2

#### Specifications

Number of Contacts	2+2	
Wire Gauge	0.6~0.14mm <sup>2</sup>	1.0~1.5mm <sup>2</sup>
Cable Range	Ø1.0~1.5mm <sup>2</sup>	
Environmental Protection	IP66(Mated)	
Mechanical Life	200 cycles	
Operating Temperature	-25°C~80°C	
Breakdown Voltage	≥ AC 500V / 1Minute	
Contact Resistance	≤ 20mΩ Min	
Insulation Resistance	≥ 20mΩ Max	
Rated Current (40°C)	Ø1.50(10.0A), Ø0.60 ( 2.0A )	

# MICRO SERIES

## CHOGORI

### Micro Series Specifications

#### Micro A Series: Male Connector/ Female Connector

Description	Front Panel Mount, 180° Direct plug-in, Male Panel Mount	Molded, 180° Direct plug-in, Female Plug
Figure		

Drawing		
---------	--	--

Part-No.	Contacts	Part-Number	Contacts	Part-Number
		2P	13002555-01	2P

#### Specifications

Number of Contacts	2
Wire Gauge	0.14~0.2mm <sup>2</sup>
Cable Range	∅3.0mm <sup>2</sup>
Environmental Protection	IP66(Mated)
Mechanical Life	200 cycles
Operating Temperature	-25°C~80°C
Breakdown Voltage	≥ AC 500V / 1Minute
Contact Resistance	≤ 20mΩ Min
Insulation Resistance	≥ 20mΩ Max
Rated Current (40°C)	2.0A