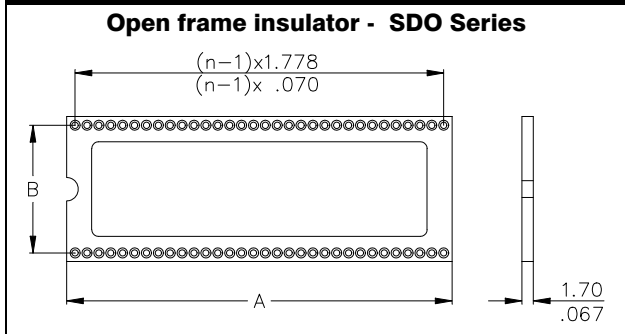
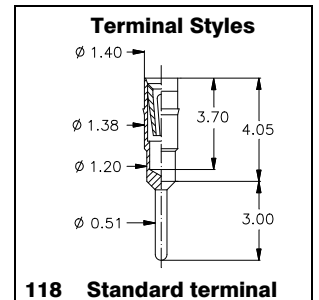
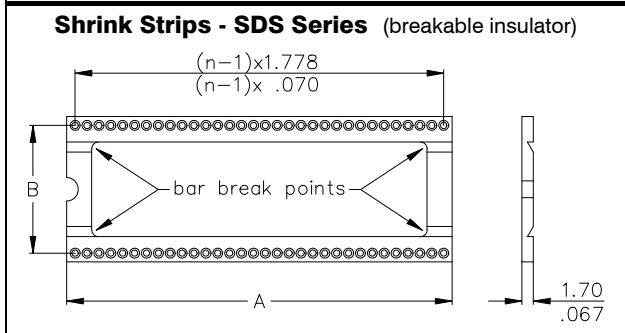
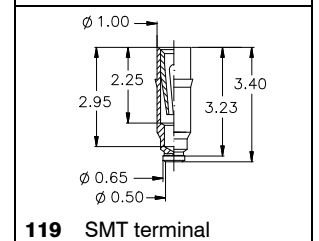


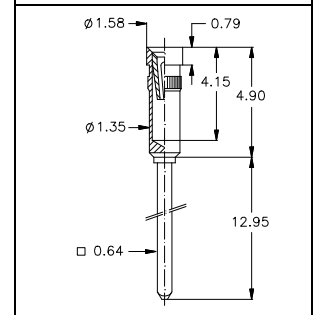
Pin	Dimensions mm/inch		Ordering Code
	"A"	"B"	
24	22,09 / .870	10,16 / .400	SDC-424-Exxx-xx
28	25,65 / 1.010		SDC-628-Exxx-xx
40	36,32 / 1.430	15,24 / .600	SDC-640-Exxx-xx
42	36,32 / 1.430		SDC-642-Exxx-xx
64	57,65 / 2.270	19,05 / .750	SDC-764-Sxxx-xx



64	57,65 / 2.270	19,05 / .750	SDO-764-Sxxx-xx
----	---------------	--------------	------------------------

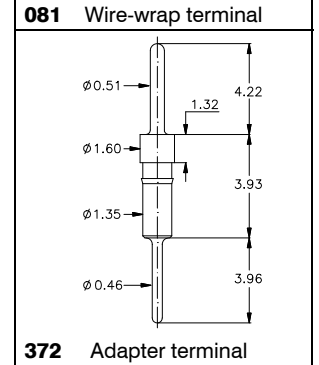


2 x 32	57,65 / 2.270	19,05 / .750	SDS-232-Sxxx-xx
--------	---------------	--------------	------------------------



Technical Data :
 Insertion force 0.70 N (avg.)
 Extraction force 0.25 N (avg.)

For further data refer to page 49 in this catalogue.



How to order

XXX - xxx - XXX - xx

Series
SDC = closed frame
SDO = open frame
SDS = strips

DIP spacing
 Dim "B" in inch
 Example:
6 for ".600"

Nbr of contacts
 see table

Insulator
S = Plastic
E = FR 4 (Epoxy)

Terminal styles
 see drawings
others on request

Plating
- 95 = tin/gold (not for terminal 372)
- 55 = gold/gold
- 99 = tin/tin (tin is leadfree)