

SAS 32P R/A Male SMT Type

Material

Housing: LCP, UL 94V-0 rated, Color: Black;
 Contact: Copper Alloy
 Contact: Gold Plating Over Nickel on Contact Area;
 Tin Plating on Terminal.

Mechanical:

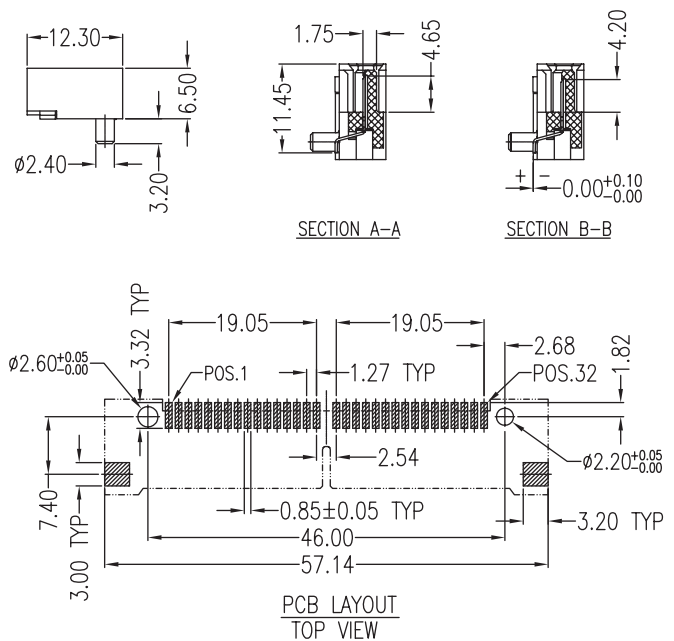
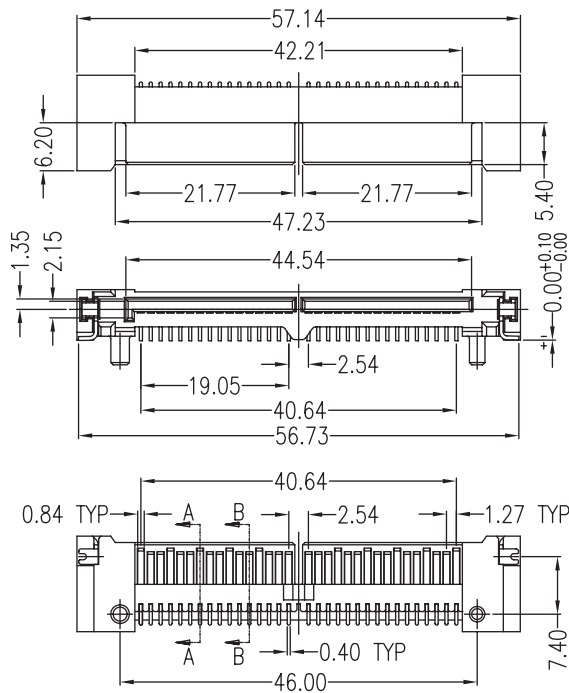
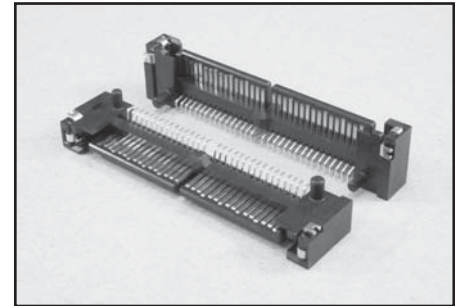
Withdrawal Force: 1.96N min.
 Insertion Force: 9.8N max.

Electrical Specification

Current Rating: 1 AMP
 Contact Resistance: 30 Milliohms (Max)
 Insulation Resistance: 1000 MΩ (Min)
 Dielectric Withstanding Voltage: 500 V AC.

Environmental

Operating Temperature: -55°C to +125°C



How To Order

Series NO. WSAS	NO. of Contacts 32	Contact plating D Selective Gold D:15u" F:30u"	Solder Positions 3 3:SMT	Insulator Body N9 N9:Nylon9T	Insulator Color 1 1:Black
		Insulator Body B B:Brass	Selective Lead U U:Lead Free	Mark W W:Winning Mark Blank:No Mark	Packing 3 3:Tray