

SATA 7+7P Double Layer Type

Material

Housing: LCP, UL 94V-0 Rated; Color: Black.
 Contact: Brass.
 Plating: Gold Plating Over Nickel on Contact Area;
 Tin Plating On Solder Tail.

Mechanical

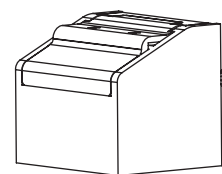
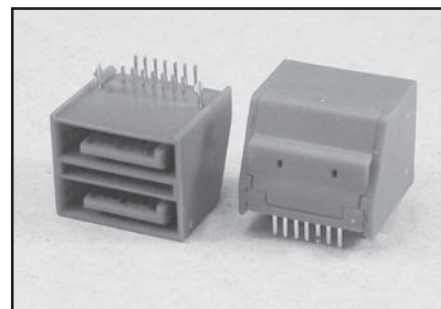
Insertion Force: 4.6 Kg Max.
 Separation Force: 1.02Kg Min.

Electrical Specification

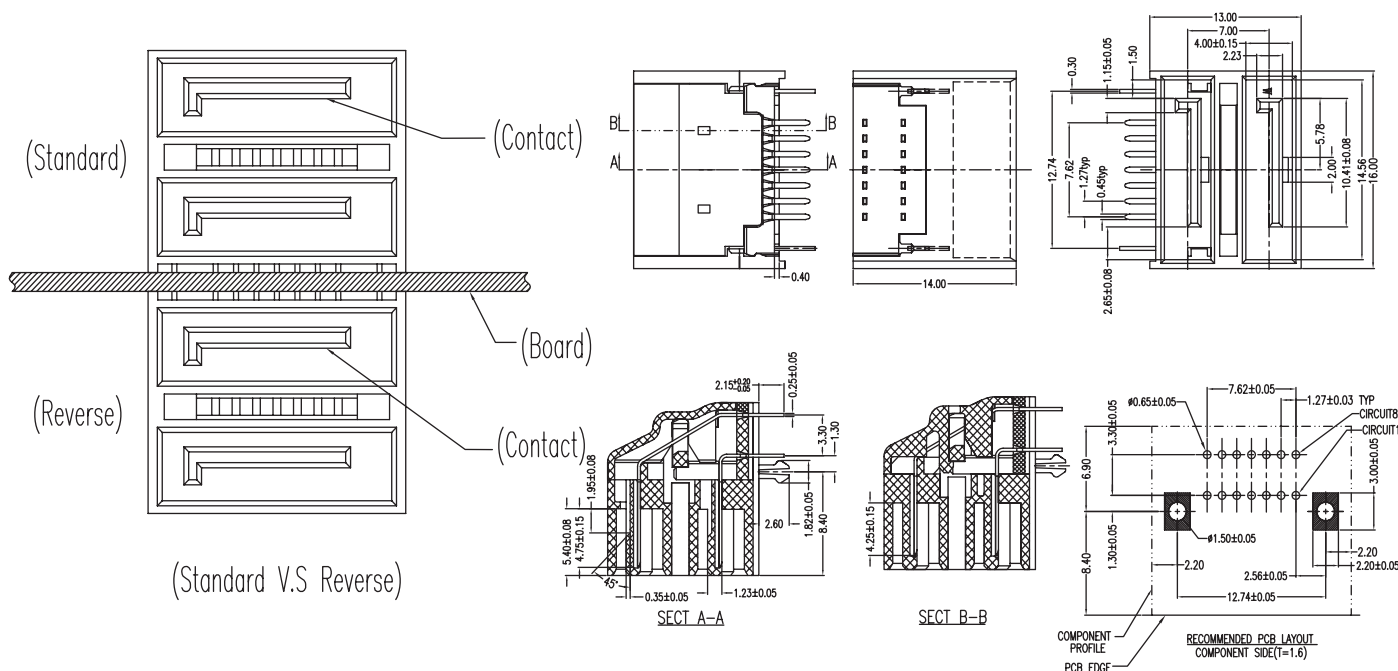
Operation Voltage: 100 VAC max.
 Current Rating: 1.5 Ampere per contact
 Contact Resistance: 30 Milliohms max.
 Insulation Resistance: 1000 Megohms min.
 Dielectric Withstanding Voltage: 500 VAC

Environmental

Operating Temperature: -55°C to +105°C



Product 3D



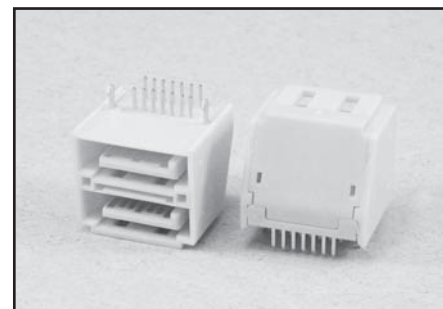
How To Order

Series NO. WATL Serial ATA of double layer	NO. of Contacts 14 7+7 Pin	Contact Plating D Selective Gold D:15u"	Solder Positions 1 1:DIP(Standard) 3:DIP(Reverse) 5:DIP+SMT(Standard) 6:DIP+SMT(Reverse) A:DIP(Standard)(2.15mm) B:DIP(Reverse)(2.15mm)	Layout Type A A:DIP E:DIP+SMT Parallel F:Single Row		
Insulator Body L N6:NYLON6T(Color) L:LCP(Black Only)	Insulator Color 1 1:Black 7:Green(376C) 4:Blue L:Green(382U) 5:Yellow B:Orange(804C) 6:Red	Contact Materic B B:Brass	Plastic Type A A:Shield	Selective Lead U U:Leade Free H:Halogen Free+Rohs Compliance	Mark W:Winning MARK Blank:NO MARK	Packing 3 3:Tray 5:Reel

SATA 7+7P Double Layer Lock Type

Material

Housing: Nylon6T,UL 94-0 Rated
 Color: Black or Yellow(810C) or Red(185C)
 Plating : Gold Plating Over Nickel on Contact Area;
 Tin Plating on Solder Tail.
 Harpoon: Brass.
 Plating : Tin Plating Over Nickel.

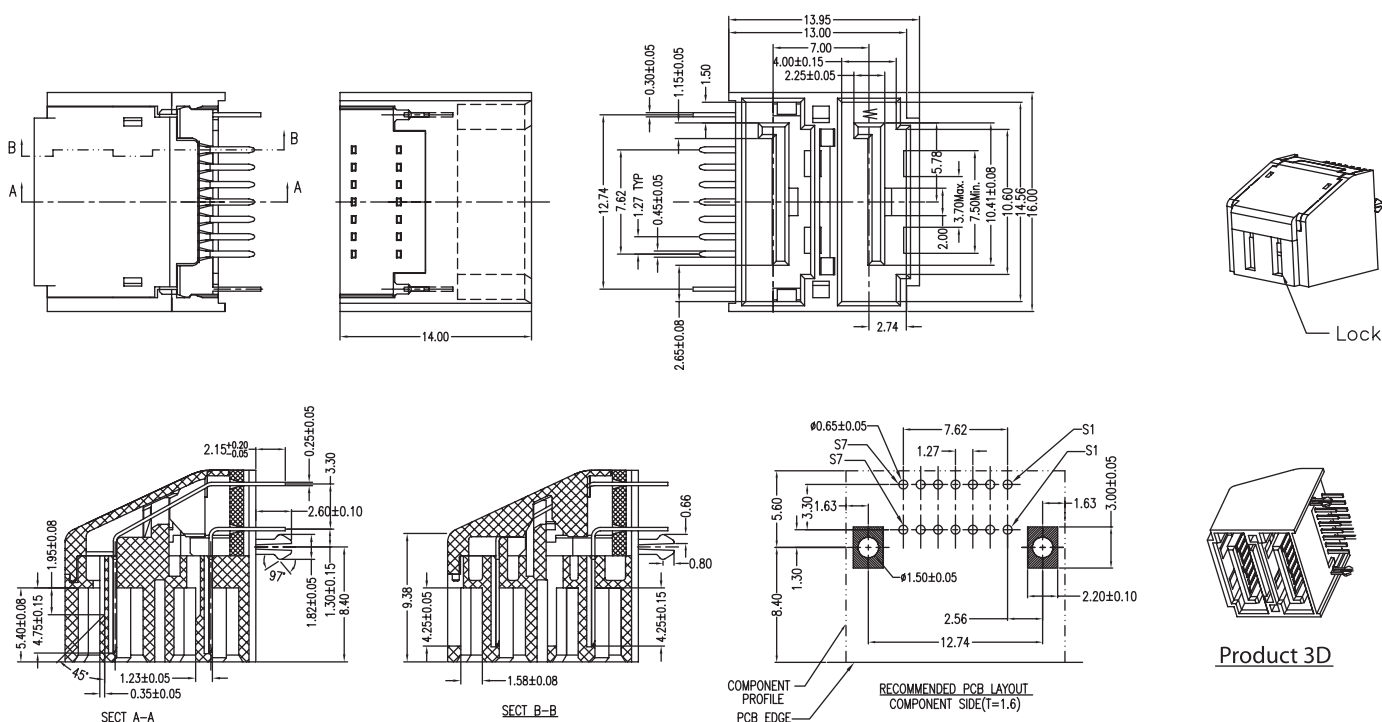


Electrical Specification

Operation Voltage: 100 VAC max.
 Current Rating: 1.5 Ampere per contact
 Contact Resistance: 30Milliohms max.
 Insulation Resistance: 1000 Megohms min.
 Dielectric Withstanding Voltage: 500 VAC.

Environmental

Operating Temperature: -55°C to +125°C



How To Order

Series NO. WATLL Lock Type	NO.of Contacts 14 7+7	Contact Plating A Selective Gold A:Flash D:15u" F:30u"	Solder Positions 1 1:DIP(Standard)(2.15)	Insulator Body L L:LCP N6:Nylon6T N4:Nylon46	Insulator Color 1 1:Black 4:Blue(286U) 5:Yellow(810C) 6:Red(187C) 8:purple(2582U)
Plastic Type W Blank:Flssion(分體式) W:Whole(一體式)	Selective Lead U U:Lead Free H:Halogen Free+RoHs Compliance	Mark W:WINNING Mark Blank*No Mark	Packing 3 3:Tray 5:Reel		

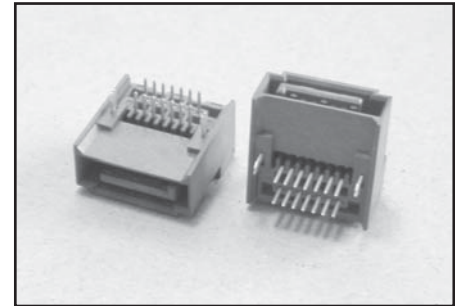
SATA 7+7P 90°+180° DIP Type

Material

Housing: Nylon46, UL 94V-0 Rated;
 Contact: Brass.
 Plating: Gold Plating Over Nickel on Contact Area;
 Tin Plating On Solder Tail.
 Harpoon: Brass.
 Plating : Tin Plating Over Nickel.

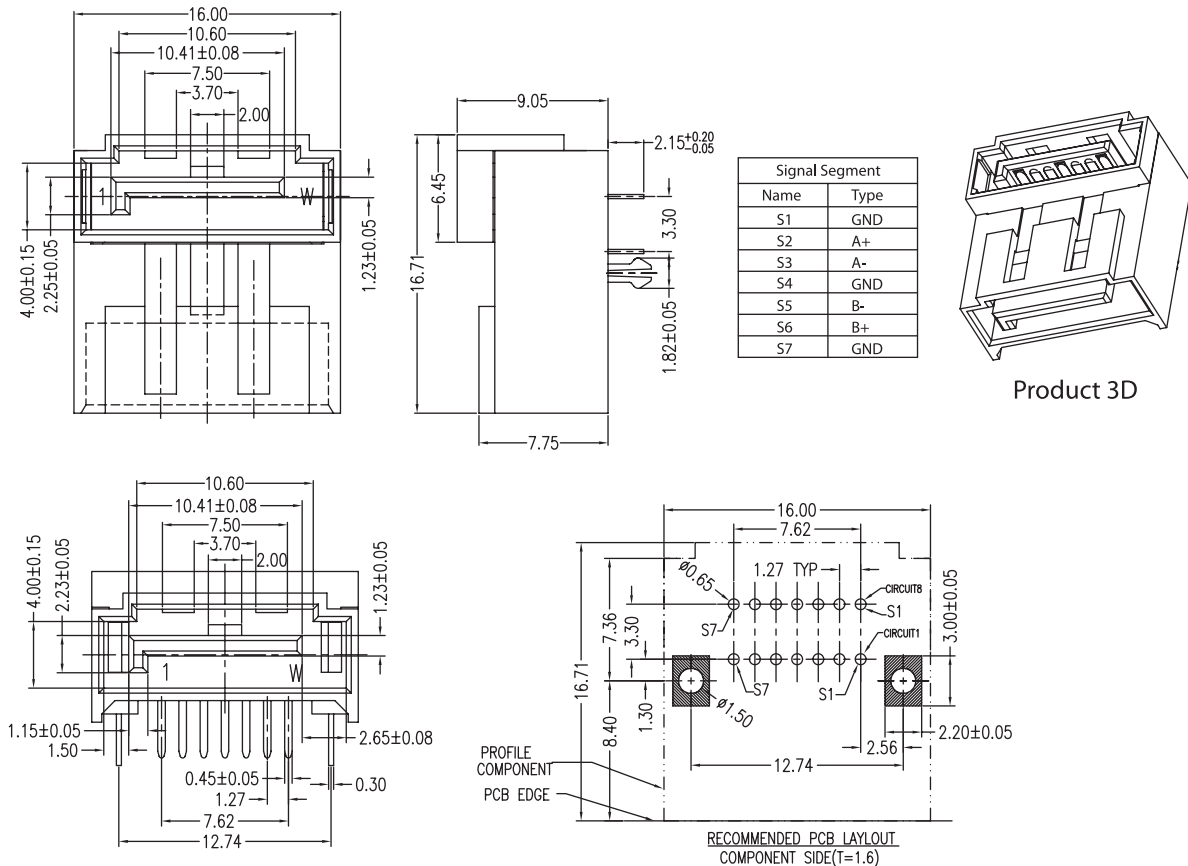
Electrical Specification

Operation Voltage: 100 VAC max.
 Current Rating: 1.5 Ampere per contact
 Contact Resistance: 30Milliohms max.
 Insulation Resistance: 1000 Megohms min.
 Dielectric Withstanding Voltage: 500 VAC.



Environmental

Operating Temperature: -55°C to +85°C



How To Order

Series NO. <input type="text" value="WATLR"/>	NO.of Contacts <input type="text" value="14"/>	Contact Plating <input type="text" value="D"/> Selective Gold A:Flash D:15u" F:30u"	Solder Positions <input type="text" value="1"/> 1:DIP 2.15	Insulator Body <input type="text" value="N4"/> N4:Nylon46	Insulator Color <input type="text" value="3"/> 3:90°Blue(286U)+180°Blue(286U) 4:90°Blue(286U)+180°White 6:90°Blue(286U)+180°Red(187C)
Contact Material <input type="text" value="B"/> B:Brass	Selective Lead <input type="text" value="U"/> U:Lead Free	Packing <input type="text" value="3"/> 3:Tray			

SATA 7+7P R/A Side by Side Type

Material

Housing: LCP(Black),UL 94-0 Rated;
 Contact: Brass;
 Plating: Gold plating over Nickel on contact atra;
 Tin plating On Solder Tail.

Mechanical

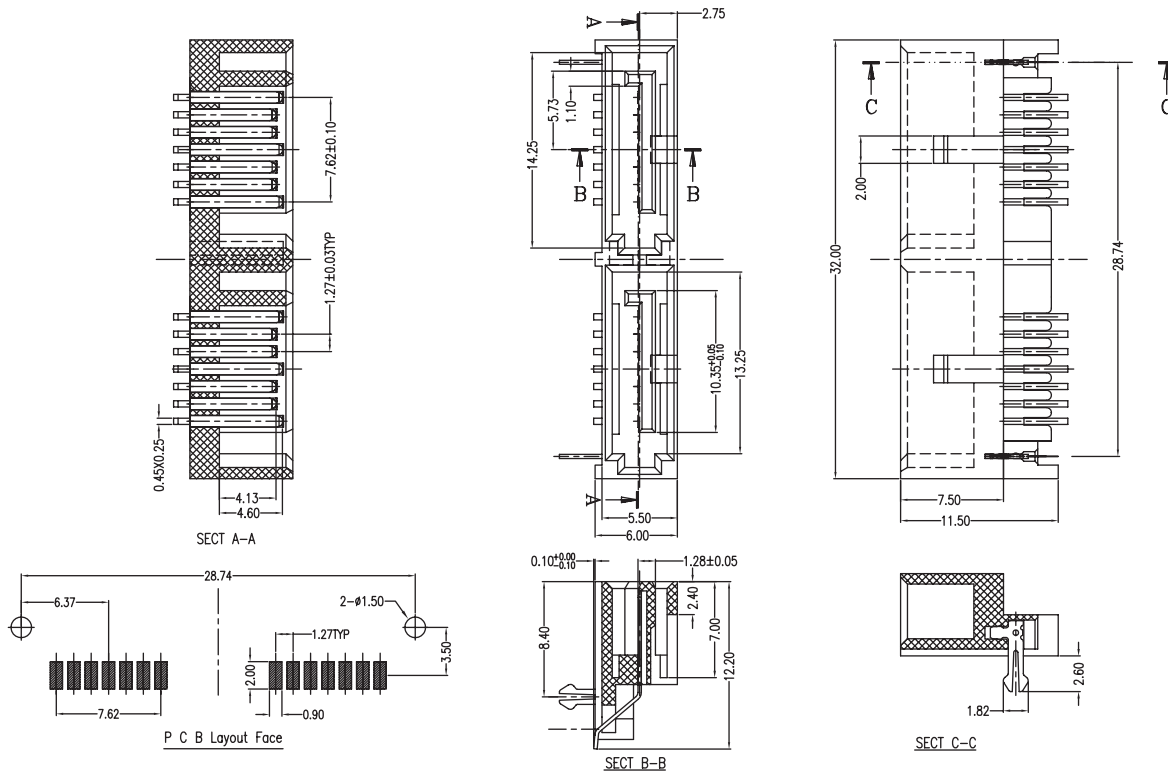
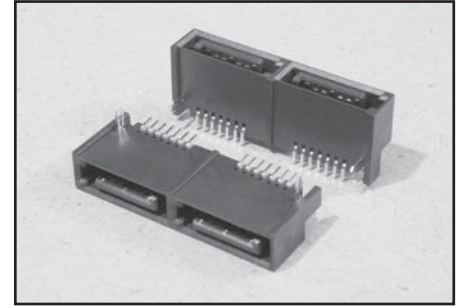
Insertion Force: 4600g max;
 Withdrawal Force: 1020g min;
 Durability: 600min;

Electrical Specification

Operation Voltage:100 VAC max.
 Current Rating: 1.5 Ampere per contact
 Contact Resistance: 30m OHM MIN.
 Insulation Resistance: 1000M OHM MIN
 Dielectric Withstanding Voltage:500VAC.

Environmental

Operating Temperature: -55°C to +125°C



How To Order

Series NO. WATAS	NO. of Contacts 14 14	Contact plating D Selective Gold D:15μ"	Contact Material B B:Brass	Insulator Material L L:LCP
	Contact Type G G:Two Hole SMT	Packing 4 4:Tube	Selective Lead U U:Lead Free	Mark Blank:No Mark W:Winning Mark