

Micro SATA 7+9P Male Type

Material

Body : LCP UL 94V-0 Rated. Color: Black
 Contacts : Brass
 Plating: Gold plating over Nickel on contact area;
 Tin plating on Solder Tail.

Mechanical

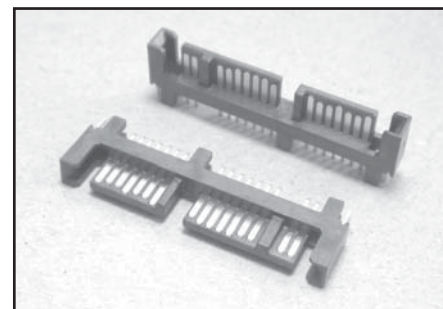
Insertion Force: 45N max.
 Withdrawal Force: 10N min.
 Durability: 500 cycles

Electrical Specification

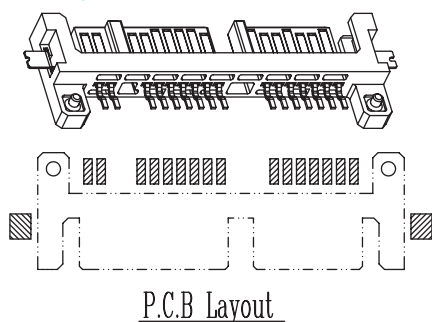
Current Rating: 1.5 Ampere per contact
 Contact Resistance: 30m OHM MIN.
 Insulation Resistance: 1000 Megohms min.
 Dielectric Withstanding Voltage: 500 VAC

Environmental

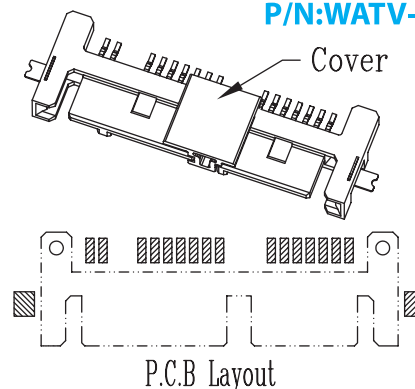
Operating Temperature: -55°C to +85°C



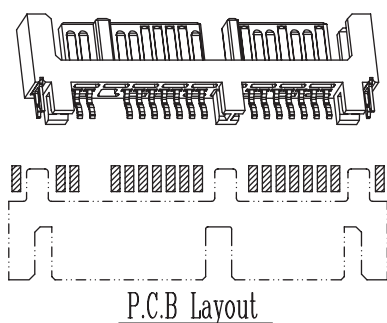
P/N:WATV-16D3L1BU4



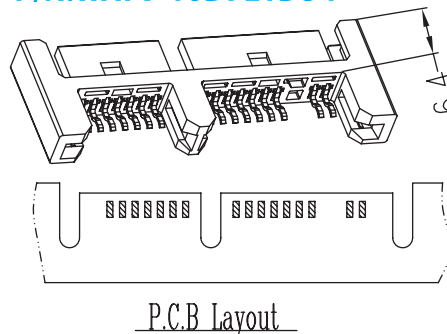
P/N:WATV-16D6L1BU4



P/N:WATV-16D4L1BU4



P/N:WATV-16D7L1BU4



How To Order

Series NO.	NO.of Contacts	Contact Plating	Solder Positions	Insulator Body
WATV	16 7+7+2	D Selective Gold D:15u"	3 3:SMT 4:Straddle Type 6:SMT(WITH Cover) 7:Straddle Type(6.4)	L L:LCP
Insulator Color	Contact Material	Selective Lead	Packing	
1 1:Black	B B:Brass	U U:Lead Free	4 4:Tube	

Micro SATA 7+9P Female Type

Material

Housing : LCP UL 94V-0 Rated. Color: Black;
 Contacts : Phosphor Bronze
 Plating: Gold plating over Nickel on contact area;
 Tin plating on Solder Tail.

Mechanical

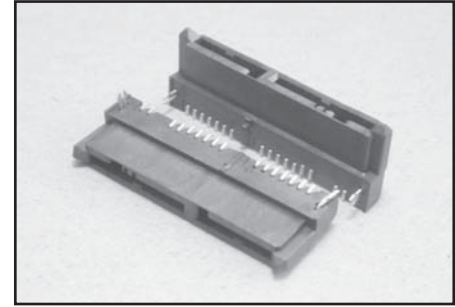
Insertion Force: 45N max.
 Withdrawal Force: 10N min.
 Durability: 500 cycles

Electrical Specification

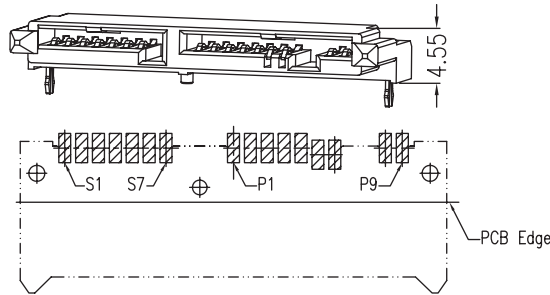
Current Rating: 1.5 Ampere per contact
 Contact Resistance: 30 Milliohms max.
 Insulation Resistance: 1000 Megohms min.
 Dielectric Withstanding Voltage: 500 VAC

Environmental

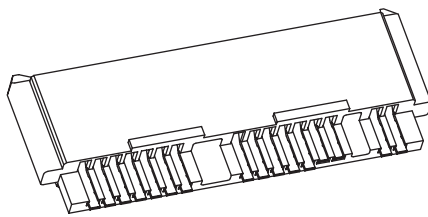
Operating Temperature: -55°C to +85°C



P/N:WATU-16D3L1BU3

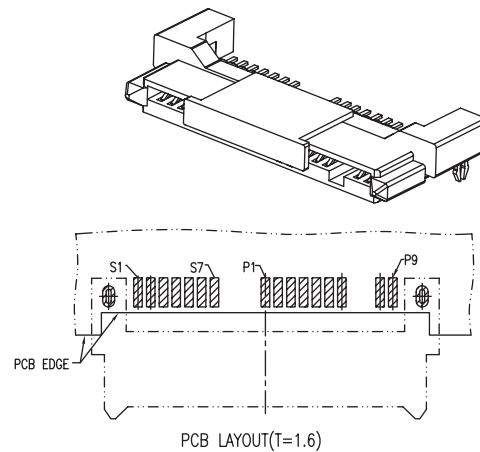


P/N:WATU-16D6L1BU3



Solder

P/N:WATU-16D7L1BU3



How To Order

Series NO. WATU	NO.of Contacts 16 7+7+2	Contact Plating D Selective Gold D:15u"	Solder Positions 3 3:Reverse SMT(4.55) 6:Solder Type 7:Reverse SMT (Subside Type)	Insulator Body L L:LCP
Insulator Color 1 1:Black	Contact Material P P:Phosphor Bronze	Selective Lead U U:Lead Free	Packing 3 3:Tray	

SATA 7+9P Female Combine Male 7P Plug Type

Material

Body: LCP UL 94V-0 Rated. Color: Black
 Contact: Phosphor Bronze
 Plating: Gold plating over Nickel on contact area;
 Tin plating On Solder Tail.

Mechanical:

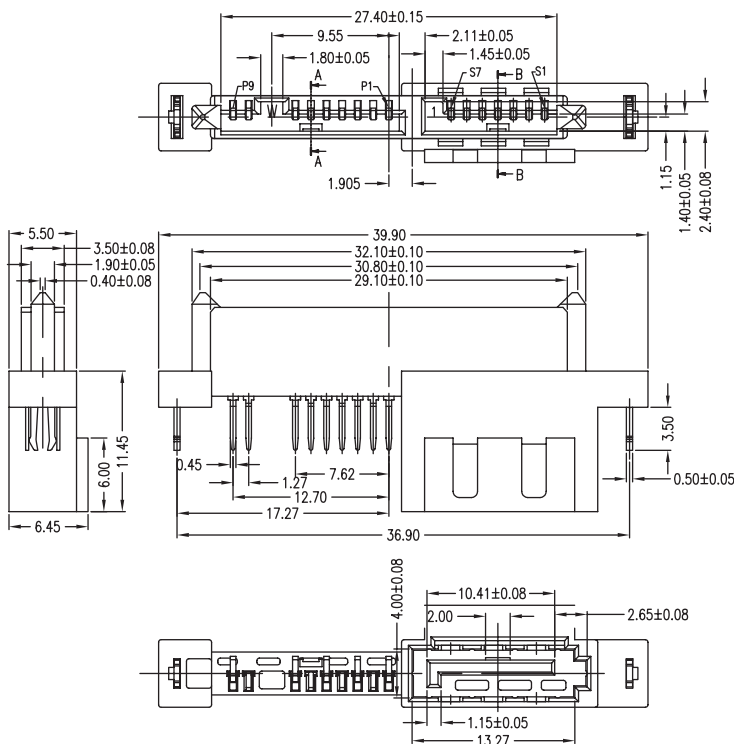
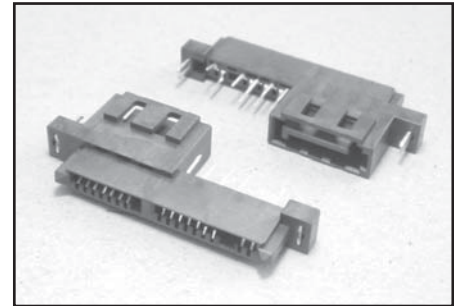
Insertion Force: 45N max;
 Withdrawal Force: 10N min;
 Durability: 500 cycles

Electrical Specification

Current Rating: 1.5 Ampere per contact
 Contact Resistance: 30 Milliohms max.
 Insulation Resistance: 1000 Megohms min.
 Dielectric Withstanding Voltage: 500 VAC

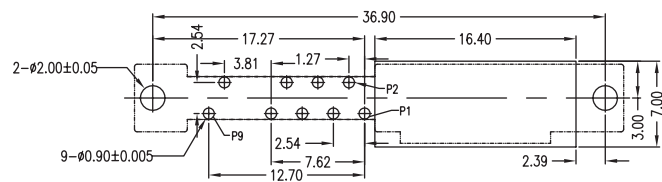
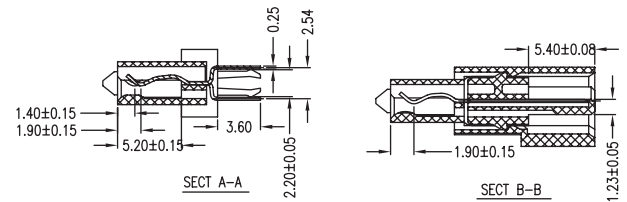
Environmental

Operating Temperature: -55°C to +85°C



Pin Number	Power Designation	Pin Number	Power Designation
P1	+3.3V	P6	+5V
P2	+3.3V	P7	Reserved
P3	GND	P8	Optional
P4	GND	P9	Optional
P5	+5V		

Pin Number	Signal Name	Description
S1	GND	
S2	A+	Differential Signal
S3	A-	
S4	GND	
S5	B-	Differential Signal
S6	B+	
S7	GND	



PCB Layout (T=3.0mm)
Top View

How To Order

Series NO. <input type="text" value="WATJ"/>	NO.of Contacts <input type="text" value="23"/>	Contact Plating <input type="text" value="D"/> Selective Gold D:15u"	Solder Positions <input type="text" value="1"/> 1:DIP	Insulator Body <input type="text" value="L"/> L:LCP	Insulator Color <input type="text" value="1"/> 1:Black
Contact Material <input type="text" value="P"/> P:Phosphor Bronze	Selective Lead <input type="text" value="U"/> U:Lead Free	Packing <input type="text" value="3"/> 3:Tray			