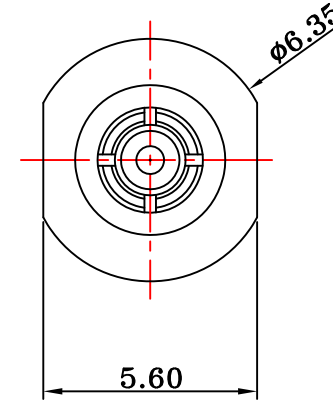
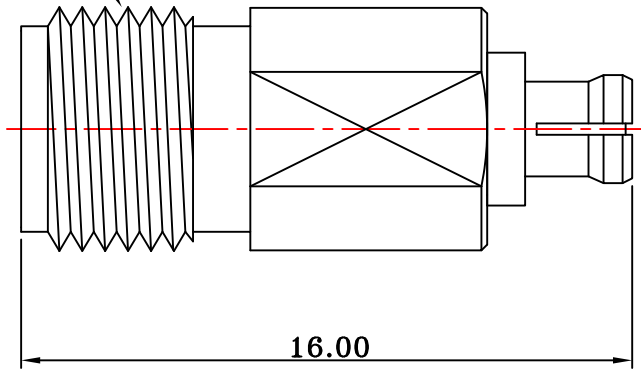




REV.	DESCRIPTION	DRAWN	ECN	DATE
1	SAMPLE RELEASE(3101-0002)	AJ	S-03080	11-14'2003
A	NEW RELEASE (3101-0002)	Sammi	04-054	02-17'2004

1/4-36UNS-2A



**ELECTRICAL PERFORMANCE:**

- 1.Impedance : 50 ohms
- 2.Frequency Range : 0~6GHz
- 3.Working Voltage : 250 Vrms maximum
- 4.Dielectric Withstanding Voltage : 750 Vrms maximum

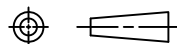
INSULATOR	TEFLON	NONE
BODY	BE COPPER	GOLD
CONTACT	BE COPPER	GOLD 30u"
INSULATOR	TEFLON	NONE
BODY	BRASS	GOLD
<b>DESCRIPTION</b>	<b>MATERIALS</b>	<b>FINISHED</b>

**RoHS**

COMPLIANT  
2002/95/EC

UNLESS OTHERWISE SPECIFIED ALL TOLERANCES ARE:

DIMENSION	ANGLE
INTEGRAL DIMENSIONS ±1.0	ANGULAR DIMENSIONS ±5.0°
1 PLACE DECIMAL ±0.5	HOLES UNDER Ø0.5 ±0.1
2 PLACE DECIMALS ±0.25	ROUGHNESS



FINISH: SEE TABLE MATERIAL: SEE TABLE

TITLE:  
**SMA ST. JACK TO HIROSE ST.JACK ADAPTOR**

Model NO: **A822-000A**

Drawing NO: **A822-000A**

DRAWN BY: **AJ** DATE: **11-24'2003**

ENGR BY: **AJ** DATE: **11-24'2003**

APVD BY: DATE:

UNIT: MM SIZE: A4 REV. **A** CAD FILE :

SCALE: **5:1** SHEET 1 OF 1 **Z:\sales\SMA**