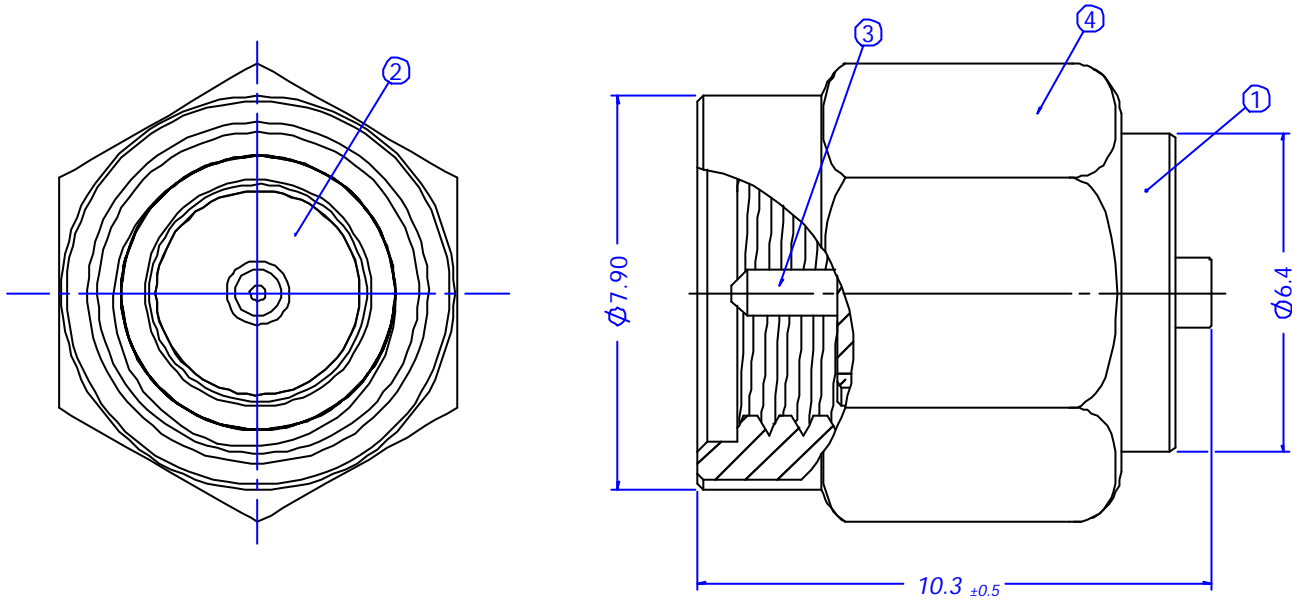
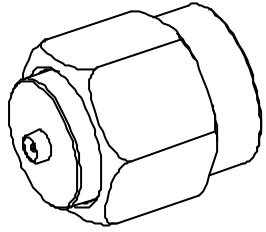




REV.	DESCRIPTION	DRAWN	ECN	DATE
A	NEW RELEASE	Yang	05-270	08/30/2005
B	SEE ECN	Yang	06-280	09/21/2006



ELECTRICAL PERFORMANCE :
 1.Impedance : 50 ohms
 2.Frequency Range : DC- 6GHz
 3.VSWR : 1.2 MAX.

ITEM	DESCRIPTION	MATERIALS	FINISHED
4	Shell	Stainless Steel	NONE
3	Male Contacter	Be Copper	Gold
2	Insulator	Teflon	NONE
1	BODY	P. Bronze	Gold

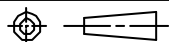
RoHS

COMPLIANT

2002/95/EC

UNLESS OTHERWISE SPECIFIED ALL TOLERANCES ARE :

DIMENSION	TOLERANCE	ANGLE	TOLERANCE
INTEGRAL DIMENSIONS	±1.0	ANGULAR DIMENSIONS	±5.0
1 PLACE DECIMAL	±0.5	HOLES UNDER Ø0.5	±0.1
2 PLACE DECIMALS	±0.25	ROUGHNESS	



FINISH:

MATERIAL:

DRAWN BY:	Yang	DATE:	07/21/2005
ENGR BY:	Yang	DATE:	08/30/2005
APVD BY:		DATE:	

TITLE: SMA Male to IPX() Male Adapter

Model NO: 61010

Drawing NO: 12-61010

UNIT:	MM	SIZE:	A4	REV:	B	CAD FILE :	Z:\NEW Dwg\61XXX\61010
SCALE:	7:1	SHEET:	1	OF:	1	-IPX 0.8Adapter	