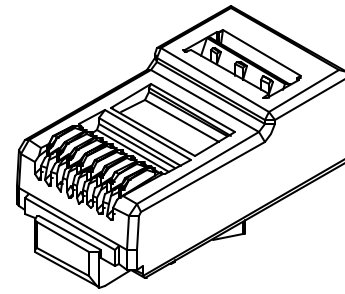
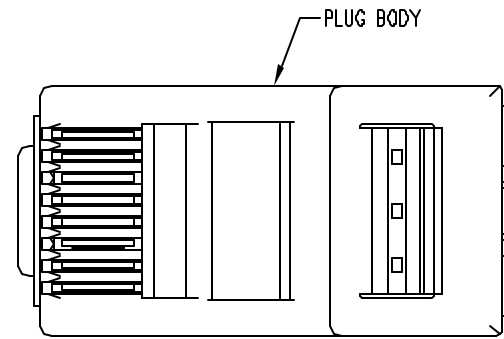




DATE	REV	ECN	APP'D. BY
-	X0	-	-
7-27-05	A0	7211	EPF
9-8-05	A1	7264	TRM
1-19-06	A2	7441	JM



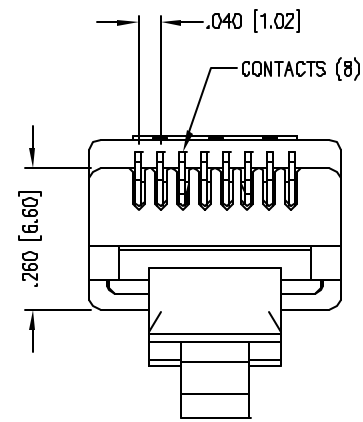
PLUG HOUSING



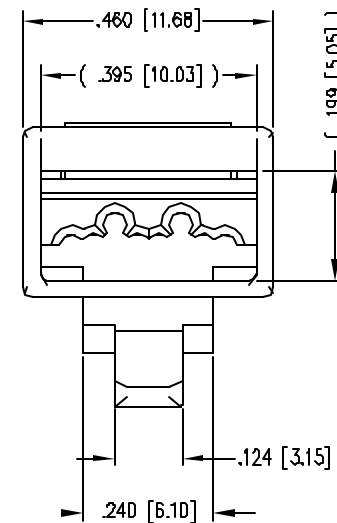
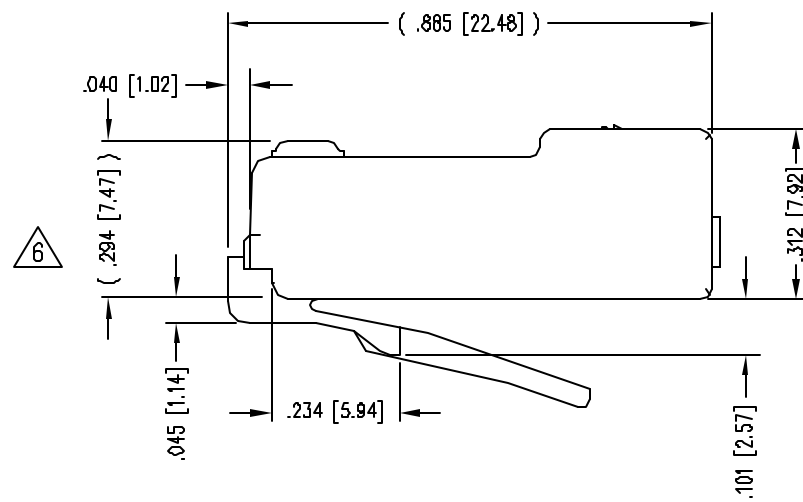
PLUG BODY

B

B



CONTACTS (8)

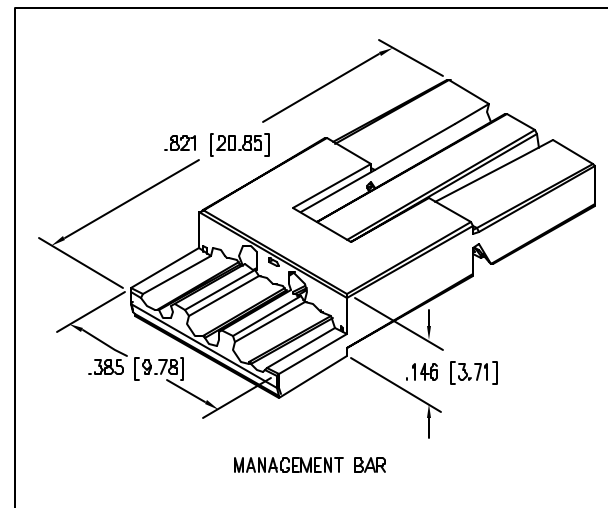


NOTES:

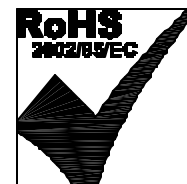
- 1- PLUG KIT CONSISTS OF :
PRE-INSERTED PLUG BODY
MANAGEMENT BAR
- 2- MATERIALS :
FRONT HOUSING PLASTIC : CLEAR POLYCARBONATE, UL 94-V0
MANAGEMENT BAR : CLEAR POLYCARBONATE, UL 94-V0
MANAGEMENT BAR COMPENSATOR: TIN PLATED BRASS
CONTACTS : PHOSPHOR BRONZE, SELECTIVE GOLD PLATING
- 3- CONTACTS TERMINATE SOLID OR STRANDED CONDUCTORS BETWEEN .037 [0.94] TO .042 [1.07] OUTSIDE DIAMETER OF INSULATION.
- 4- PLUG SPECIFICATION: FOR CATEGORY 6 APPLICATIONS.
- 5- TOLERANCES COMPLY WITH F.C.C. DIMENSION REQUIREMENTS.
- 6- TERMINATED PLUG HEIGHT: .237 [6.02] ±.005 [0.13]
- 7- FOR PRODUCT SPECIFICATION SEE PR026-01

A

A

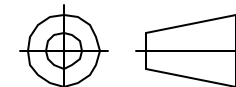


MANAGEMENT BAR



BAGS OF 25	50 MICRO-INCHES [1.27um]	SS-39100-005
BULK	50 MICRO-INCHES [1.27um]	SS-39100-002
PACKAGING	CONTACT PLATING IN MATING AREA	PART NUMBER

THIRD ANGLE PROJECTION



DO NOT SCALE DRAWING
DRAWING IS SUBJECT TO CHANGE WITHOUT NOTICE

DIMENSIONS: INCHES [METRIC]
UNLESS OTHERWISE SPECIFIED TOLERANCES ARE ±.005 [0.13] ANGLES ARE ± 1°

SHEET NO. 1 OF 1

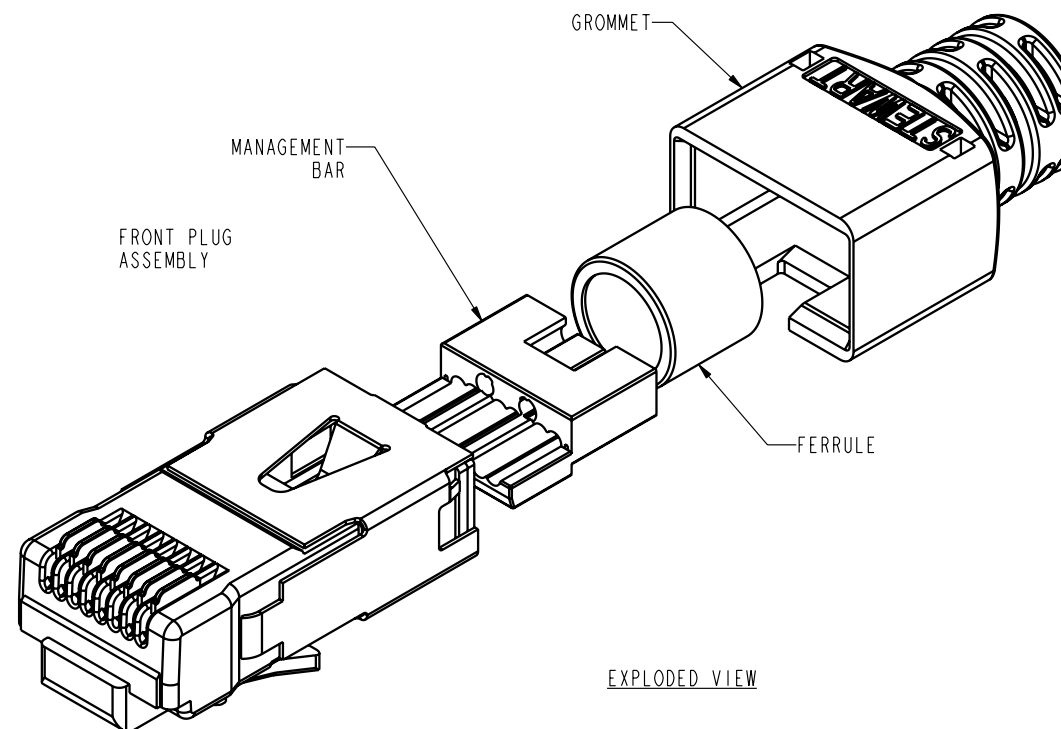
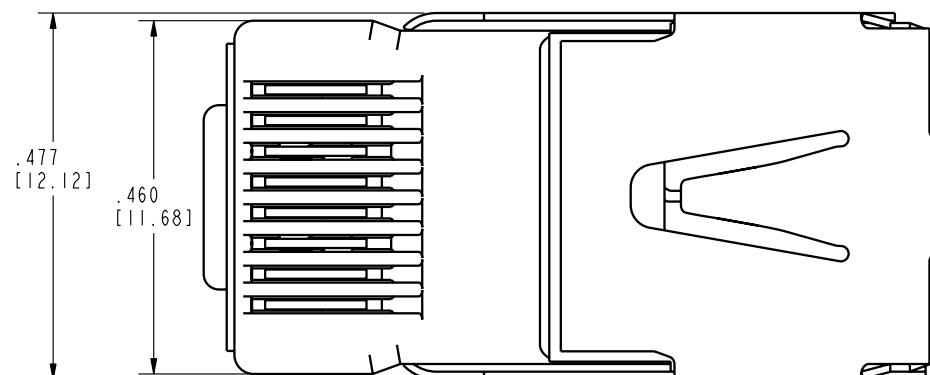
TITLE: 8 POSITION/8 CONDUCTOR STANDARD UNSHIELDED PLUG ASSEMBLY

THIS DRAWING AND THE SUBJECT MATTER SHOWN THEREON ARE CONFIDENTIAL AND THE PROPRIETARY PROPERTY OF BEL STEWART CONNECTOR AND SHALL NOT BE REPRODUCED, COPIED, OR USED IN ANY MANNER WITHOUT PRIOR WRITTEN CONSENT OF BEL STEWART CONNECTOR. THE SUBJECT MATTER MAY BE PATENTED OR A PATENT MAY BE PENDING.

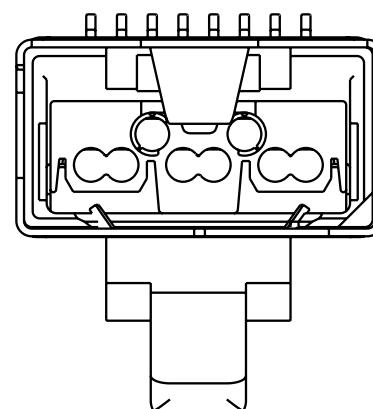
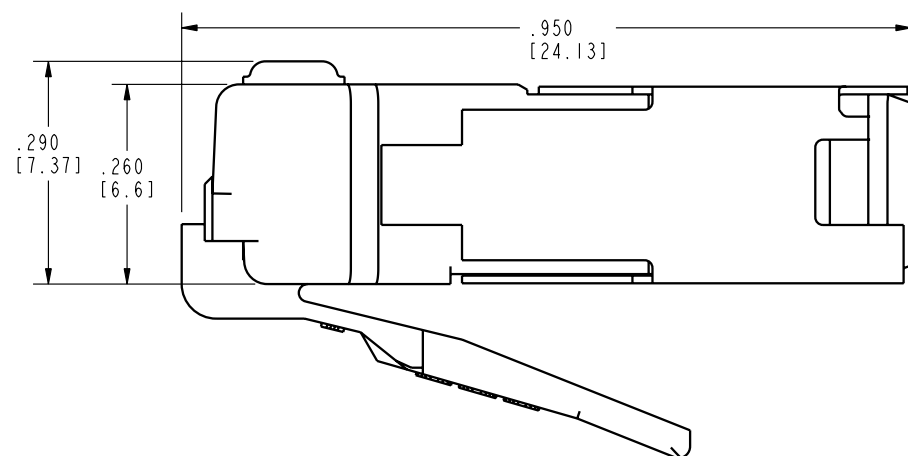
DRN BY:	JAF	DATE	1-6-00
APPD BY:	RGC	DATE	1-7-00
DWG NO.	CT390003	REV.	A2



DATE	REV.	ECN	APP'D BY
3-9-05	A0	7062	TRM
1-23-06	A1	7441	JM
12-13-06	A2	7870	TRM



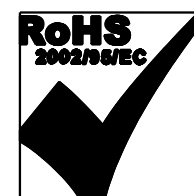
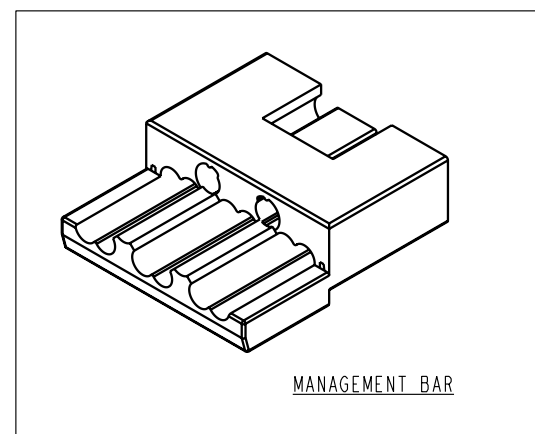
EXPLODED VIEW



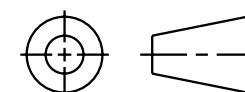
NOTES:

- CONSISTING OF:
 PRE-INSERTED FRONT & SHIELD ASSY. - P/N: 39200-309
 MANAGEMENT BAR P/N: 39200-308
 FERRULE .225 MAX.: F-235-205-L
 .260 DIA. GROMMET: 39200-805
- CONTACT & SHIELD MATERIAL: COPPER ALLOY
- CONTACT PLATING: FCC COMPLIANT
- PLUG HOUSING & GROMMET MATERIAL: UL94-V0
- PLUG TOLERANCES AND DIMENSIONS:
 COMPLY WITH FCC REQUIREMENTS.
 ALL OTHER DIM'S $\pm .005$ [± 0.13]
- DIMENSIONS SHOWN ARE SUBJECT TO CHANGE WITHOUT NOTICE.
- OPERATING TEMPERATURE: -40°C TO 85°C
- INSERTION/EXTRACTION LIFE: 1000 CYCLES, WHEN USING
 BEL STEWART CONNECTOR JACKS
- CURRENT: 1.5 AMPS MAX
- FOR PRODUCT SPECIFICATION SEE PR026-01.

BULK	50 MICRO-INCHES [1.27um]	SS-39200-006
PACKAGE	CONTACT PLATING IN MATING AREA	PART NUMBER



THIRD ANGLE PROJECTION



DO NOT SCALE DRAWING
 DRAWING IS SUBJECT TO
 CHANGE WITHOUT NOTICE

DIMENSIONS: INCHES [METRIC]
 UNLESS OTHERWISE SPECIFIED
 TOLERANCES ARE $\pm .005$ [0.13]
 ANGLES ARE $\pm 1^{\circ}$

SHEET NO.
 1 OF 1

TITLE: 8 x 8 CATEGORY 6 SHIELDED PLUG ASSEMBLY
 WITH MANAGEMENT BAR, FERRULE & GROMMET

THIS DRAWING AND THE SUBJECT MATTER SHOWN THEREON
 ARE CONFIDENTIAL AND THE PROPRIETARY PROPERTY OF
 BEL STEWART CONNECTOR AND SHALL NOT BE REPRODUCED,
 COPIED, OR USED IN ANY MANNER WITHOUT PRIOR WRITTEN
 CONSENT OF BEL STEWART CONNECTOR. THE SUBJECT
 MATTER MAY BE PATENTED OR A PATENT MAY BE PENDING.

DRN BY:	JAM	DATE	5-21-01
APPD BY:	TRM	DATE	5-22-01
DWG. NO.	CT390009	REV.	A2