

EVERCOOL

PRODUCTS OVERVIEW

AC Fan

Series	Model Name	Availed	Lead wire 200 mm	Socket
EC8025A	EC8025A1BL	●	●	
	EC8025A1SL	●	●	
	EC8025A2BL	●	●	
	EC8025A2SL	●	●	
EC8038A	EC8038A1BL	●	●	
	EC8038A1SL	●	●	
	EC8038A1BT			
	EC8038A1ST			
	EC8038A2BL	●	●	
	EC8038A2SL	●	●	
	EC8038A2BT			
EC9225A	EC9225A1BL	●	●	
	EC9225A1SL	●	●	
	EC9225A1BT			
	EC9225A1ST			
	EC9225A2BL	●	●	
	EC9225A2SL	●	●	
	EC9225A2BT			
EC12025A	EC12025A1BL	●	●	
	EC12025A1SL	●	●	
	EC12025A1BT	●		●
	EC12025A1ST	●		●
	EC12025A2BL	●	●	
	EC12025A2SL	●	●	
	EC12025A2BT	●		●
EC12038A	EC12038A1BL	●	●	
	EC12038A1SL	●	●	
	EC12038A1BT	●		●
	EC12038A1ST	●		●
	EC12038A2BL	●	●	
	EC12038A2SL	●	●	
	EC12038A2BT	●		●
EC17250A	EC17250A1BL	●	●	
	EC17250A1SL	●	●	
	EC17250A1BT	●		●
	EC17250A1ST	●		●
	EC17250A2BL	●	●	
	EC17250A2SL	●	●	
	EC17250A2BT	●		●
	EC17250A2ST	●		●

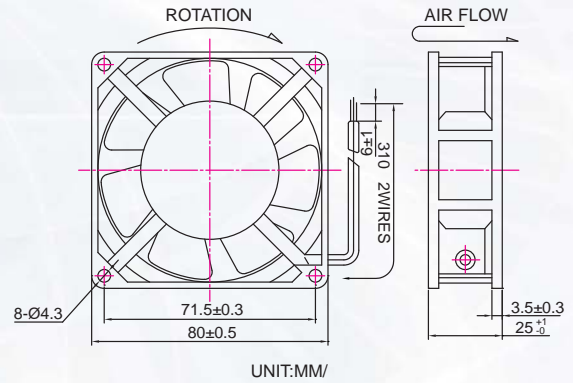
EVERCOOL

8025 【80x80x25 mm】



AC Fan Series

Dimensions Drawing

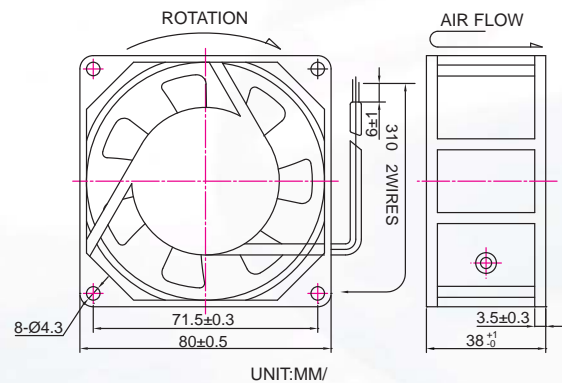


Model	Rated Voltage (VDC)	Inputpower (W)	Rated Current (AMP)	Speed Reference (RPM)	Air Flow (CMM)	Noise (dBA)	Weinght (kg)
EC8025A1XL	110 / 120	13 / 11	0.14 / 0.12	2500 / 2800	0.38 / 0.48	38 / 40	0.25
EC8025AXL	220 / 240	13 / 11	0.07 / 0.06	2500 / 2800	0.38 / 0.48	38 / 40	0.25

8038 【80x80x38 mm】



Dimensions Drawing



Model	Rated Voltage (VDC)	Inputpower (W)	Rated Current (AMP)	Speed Reference (RPM)	Air Flow (CMM)	Noise (dBA)	Weinght (kg)
EC8038A1XL	110 / 120	13 / 11	0.16 / 0.14	2500 / 2800	0.40 / 0.42	40 / 42	0.35
EC8038A2XL	220 / 240	13 / 11	0.08 / 0.07	2500 / 2800	0.40 / 0.42	40 / 42	0.35

AC Fan Series

- ▶ Frequency(Hz) : 50 / 60
- ▶ Insulation Resistance : AC 1500V-100MΩ
- ▶ Resist Strength : 1500V/min

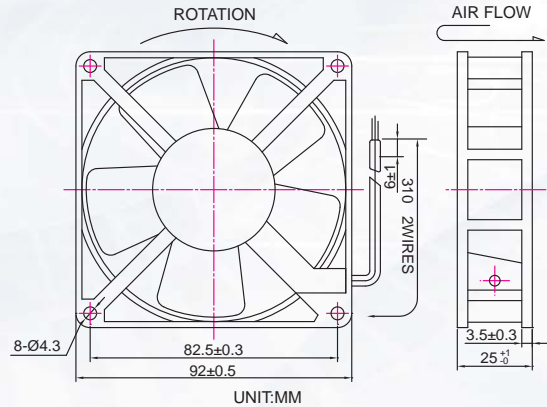
EVERCOOL

9225 [92x92x25 mm]



AC Fan Series

Dimensions Drawing

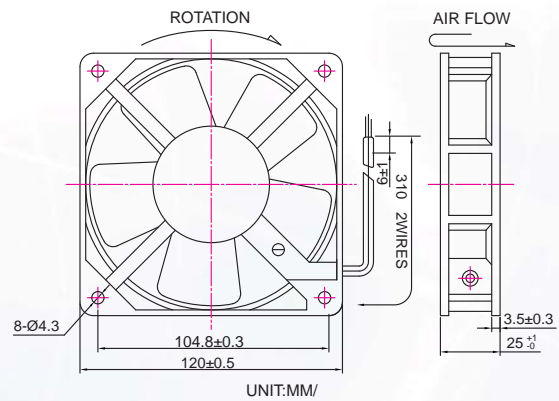


Model	Rated Voltage (VDC)	Inputpower (W)	Rated Current (AMP)	Speed Reference (RPM)	Air Flow (CMM)	Noise (dBA)	Weinght (kg)
EC9225A1XL	110 / 120	13 / 11	0.14 / 0.12	2300 / 2600	0.65 / 0.80	40 / 42	0.27
EC9225A2XL	220 / 240	13 / 11	0.07 / 0.06	2300 / 2600	0.65 / 0.80	40 / 42	0.27

12025 [120x120x25 mm]



Dimensions Drawing



Model	Rated Voltage (VDC)	Inputpower (W)	Rated Current (AMP)	Speed Reference (RPM)	Air Flow (CMM)	Noise (dBA)	Weinght (kg)
EC12025A1XL	110 / 120	17 / 15	0.20 / 0.18	2200 / 2500	1.6 / 1.8	47 / 49	0.33
EC12025A1XT	110 / 120	17 / 15	0.20 / 0.18	2200 / 2500	1.6 / 1.8	47 / 49	0.33
EC12025A2XL	220 / 240	17 / 15	0.10 / 0.09	2200 / 2500	1.6 / 1.8	47 / 49	0.33
EC12025A2XT	220 / 240	17 / 15	0.10 / 0.09	2200 / 2500	1.6 / 1.8	47 / 49	0.33

- ▶ Frequency(Hz) : 50 / 60
- ▶ Insulation Resistance : AC 1500V-100MΩ
- ▶ Resist Strength : 1500V/min

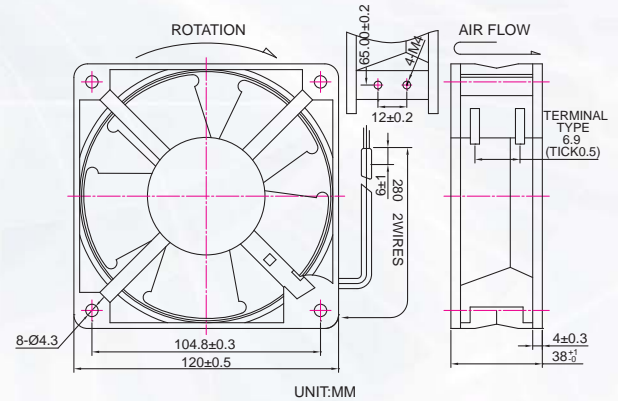
EVERCOOL

12038 【120x120x38 mm】



AC Fan Series

Dimensions Drawing

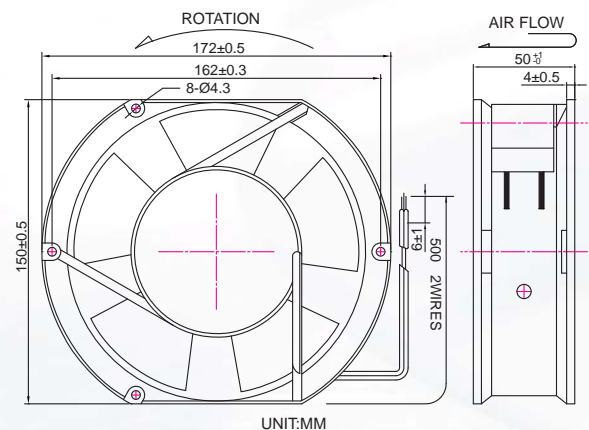


Model	Rated Voltage (VDC)	Inputpower (W)	Rated Current (AMP)	Speed Reference (RPM)	Air Flow (CMM)	Noise (dBA)	Weinght (kg)
EC12038A1XL	110 / 120	21 / 20	0.28 / 0.26	2700 / 3100	2.3 / 2.7	47 / 49	0.33
EC12038A1XT	110 / 120	21 / 20	0.28 / 0.26	2700 / 3100	2.3 / 2.7	47 / 49	0.33
EC12038A2XL	220 / 240	21 / 20	0.14 / 0.13	2700 / 3100	2.3 / 2.7	47 / 49	0.33
EC12038A2XT	220 / 240	21 / 20	0.14 / 0.13	2700 / 3100	2.3 / 2.7	47 / 49	0.33

17250 【172x150x50 mm】



Dimensions Drawing



Model	Rated Voltage (VDC)	Inputpower (W)	Rated Current (AMP)	Speed Reference (RPM)	Air Flow (CMM)	Noise (dBA)	Weinght (kg)
EC17250A1XL	110 / 120	36 / 34	0.50 / 0.48	2600 / 3000	5.0 / 5.5	55 / 60	0.95
EC17250A1XT	110 / 120	36 / 34	0.50 / 0.48	2600 / 3000	5.0 / 5.5	55 / 60	0.95
EC17250A2XL	220 / 240	36 / 34	0.25 / 0.24	2600 / 3000	5.0 / 5.5	55 / 60	0.95
EC17250A2XT	220 / 240	36 / 34	0.25 / 0.24	2600 / 3000	5.0 / 5.5	55 / 60	0.95

- ▶ Frequency(Hz) : 50 / 60
- ▶ Insulation Resistance : AC 1500V-100MΩ
- ▶ Resist Strength : 1500V/min