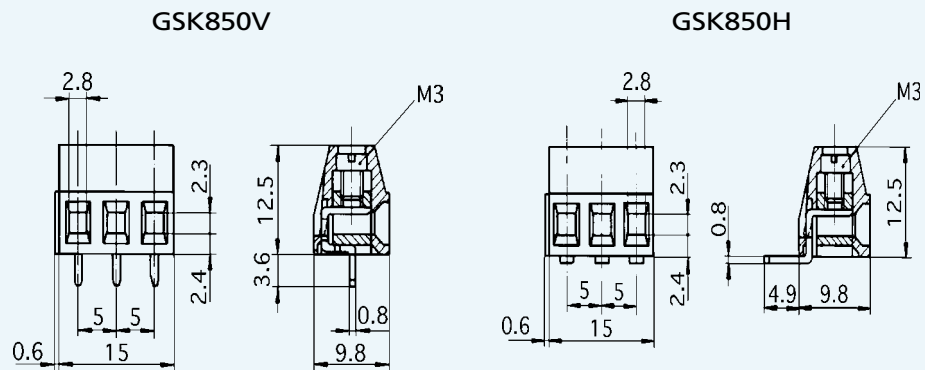


## SECTION 2B

RISING CLAMP  
PRINTED CIRCUIT  
CONNECTORS



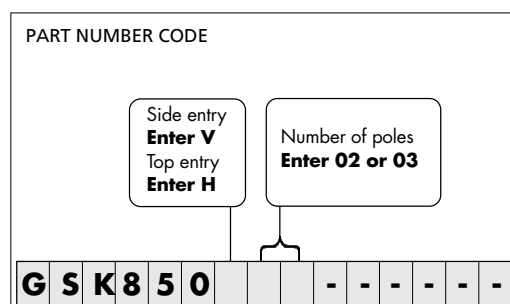
### FEATURES

**Series GSK850** connectors are 5mm pitch in a standard profile housing and can be supplied in both side entry (type V) and top entry (type H). They are available with or without wire protectors and are supplied in 2 and 3 pole interlocking modules or pre-assembled to required lengths. This range also incorporate rising clamp inserts which allow multiple connections and disconnections, a feature that is not possible with standard wire protectors.

### TECHNICAL DATA

<b>Mouldings:</b>	PBT, GV30, blue, UL94V0
<b>Inserts:</b>	Brass, tinned
<b>Screws:</b>	M2.6, steel, zinc plated and passivated
<b>Wire protectors:</b>	Stainless steel
<b>Current rating:</b>	10 amp (To EN 60335-1)
<b>Conductor size:</b>	Up to 2.5mm <sup>2</sup>
<b>Stripping length:</b>	7mm
<b>Maximum temp:</b>	120°C
<b>Pin spacing:</b>	5mm
<b>Recommended hole dia. in p.c. board:</b>	1.3mm

### APPROVALS



### OPTIONS

**Marking:** consecutive numbering, lettering or special printing available. Please provide sketch.

**Pin spacing:** 10mm spacing also available. Please enquire for details.

**Colour:** also available in black, minimum quantities may apply.