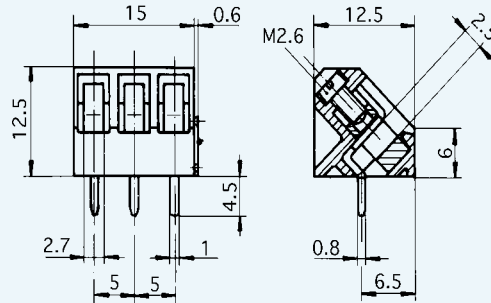


SECTION 2A

STANDARD SCREW TYPE PRINTED CIRCUIT CONNECTORS



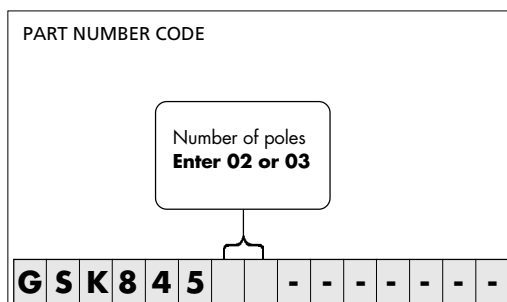
FEATURES

Series GSK845 connectors are 45° conductor entry and have a pin spacing of 5mm. They are supplied in 2 and 3 pole interlocking modules or pre-assembled to required lengths. This range also incorporate rising clamp terminals which allow the conductors to be clamped and released repeatedly without damage to the strands.

TECHNICAL DATA

Mouldings:	PBT, GV30, blue, UL94V0
Inserts :	Brass, tinned
Screws:	M2.6, steel, zinc plated and passivated
Wire protectors:	Stainless steel
Current rating:	10 amp (to EN 60335-1)
Conductor size:	2.5 mm ²
Stripping length:	6.5mm
Maximum temp:	120°C
Pin spacing:	5mm
Recommended hole dia. in p.c. board:	1.3mm

APPROVALS



OPTIONS

Marking: consecutive numbering, lettering or special printing available. Please provide sketch.

Colour: also available in black, minimum quantities may apply.

Spacing: 10mm also available, please enquire for details.