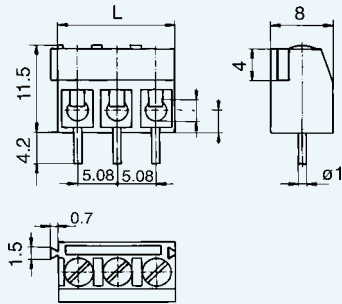


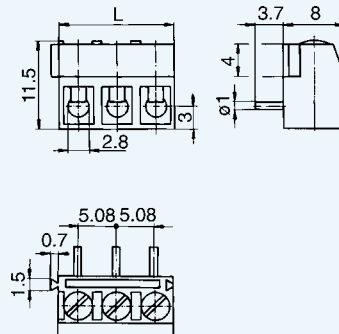
SECTION 2A

STANDARD SCREW
TYPE PRINTED CIRCUIT
CONNECTORS

940T



941T



L = Number of poles by 5.08mm

TECHNICAL DATA

Mouldings:	Nylon 6.6, grey, UL94 V0
Inserts :	Brass, tinned
Screws:	M2.6, steel, zinc plated and passivated
Wire protectors:	Stainless steel
Current rating:	6 amp
Voltage rating:	600V ~ to VDE 0110, pollution degree 1. Creepage & clearance distance 1.8mm. Breakdown voltage 2500V ~
Tracking distance:	CTI > 600
Conductor size:	1mm ²
Stripping length:	6mm
Maximum temp:	80°C
Pin spacing:	5.08mm
Recommended hole dia. in p.c. board:	1.2mm

OPTIONS

Marking: consecutive numbering, lettering or special printing available. Please provide sketch.

Longer pins: available up to 75mm in length.

Single piece housings: available in one piece versions 2 - 32 pole. Please enquire for details.

FEATURES

Series 940/941T connectors are 5.08mm pitch, in a low profile housing. They are available in side entry (series 940) or top entry (series 941). Both versions are supplied in 2 and 3 pole interlocking modules or pre-assembled to required lengths. All types can be supplied with or without wire protectors.

APPROVALS

