



Telecom (RJ) Series



Unit: $\frac{\text{mm}}{\text{Inch}}$

Product Solutions

TYPE	Series Number	Port	Tab		LED	Transformer		Shell			Position/Contact		Input Pin	Page
			Up	Down		10/100	1G	W/O	Half	Full	P	C		
1×N	7610	1	●							●	8	8	-	F2
1×N	7610	1		●						●	8	8	-	-
1×N	7610	1		●					●	●	10	10	-	-
1×N	7610	1		●	●	●	●			●	8	8	8/10/12	-
1×N	7610	1	●		●	●	●			●	8	8	8/10/12	F2
2×N	76A0	2X1	●		●					●	8	8	-	F3
2×N	76B0	2X2	●							●	8	8	-	F4
2×N	76D0	2X4	●		●					●	8	8	-	F5
1×N	7605	1/4/8		●						●	8	8	-	F7
1×N	7621	1		●				●	●		4/6/8	2/4/6/8	-	F8-F9
1×N	7622	1	●					●			4/6	2/4/6	-	F10
1×N	7623	1	●					●			6	2/4/6	-	F10
1×N	7625	1		●				●			4/6/8	2/4/6/8	-	F11
1×N	7627	1	●					●			4/6	2/4/6	-	F12
1×N	7630	1	●					●			4/6/8	2/4/6/8	-	F12
1×N	7628	1	●					●			8	8	-	F13

Specifications

Current rating: 1.5A AC DC
 Voltage rating: 125V AC DC
 Standard Operating Temperature:
 $-0^{\circ}\text{C} \sim +70^{\circ}\text{C}$
 Storage Temperature: $-40^{\circ}\text{C} \sim +85^{\circ}\text{C}$
 Contact resistance: 20m Ω max.
 Insulation resistance: 1000M Ω min.
 Withstanding voltage: 1000V AC/min.

Standards

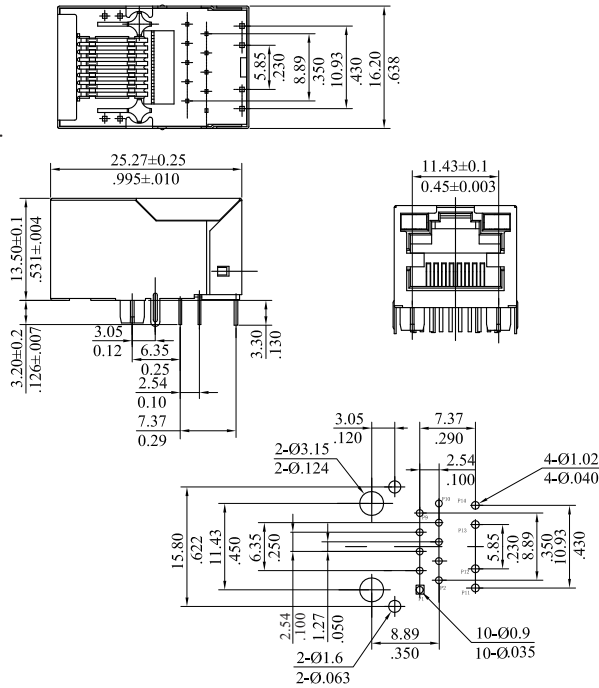
Recognized No. E148308

RoHS Compliant



RJ45 Transformer Series

7610-6*****



Features

7610 Jack:
 Physical
 Plastic parts:
 High performance thermoplastic
 flammability rating UL94V-0
 Shell:
 High performance copper alloy
 or stainless steel contacts
 Contact: High performance
 copper alloy
 Input pins:
 High performance copper alloy

Mechanical

Solderability: IPC/Per JEDEC
 J-STD-002
 Mating force: 22N max.
 Unmating force: 22N min.

Networking RJ series ordering
 information see page F6

Recommended PCB Layout

10/100

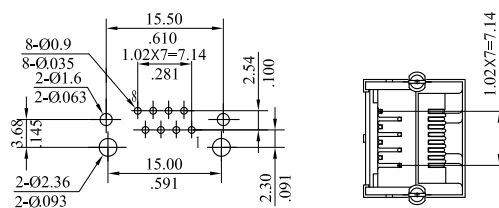
Electrical Specification

Insertion Loss	Return Loss			Cross Talk	CMA	Turns Ratio
Tx/Rx (dB Max.)	Tx/Rx (dB Min.)			Tx / Rx (dB Min.)	Tx / Rx (dB Min.)	Tx / Rx (+/-5%)
1-100 MHz	1-30 MHz	30-60MHz	60-80 MHz	1-100 MHz	1-100 MHz	1:1 / 1:1
-1.0/-1.0	-18/-18	-16/-16	-12/-12	-30	-30	
-1.0/-1.0	-18/-18	-16/-16	-12/-12	-30	-30	

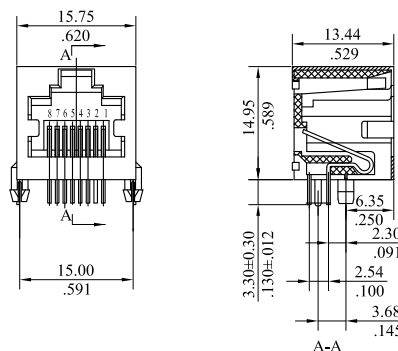
10/100/1000

Insertion Loss	Return Loss			Cross Talk	CMA	Turns Ratio
Tx/Rx (db Max.)	Tx/Rx (dB Min.)			Tx / Rx (dB Min.)	Tx / Rx (dB Min.)	Tx / Rx (+/-5%)
1-100 MHz	1-30 MHz	30-60MHz	60-80 MHz	1-100 MHz	1-100 MHz	1:1 / 1:1
-1.0/-1.0	-18/-18	-16/-16	-12/-12	-30	-30	

7610-5Z00**



Recommended PCB Layout

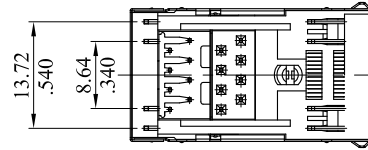


Specifications

Current rating: 1.5A AC DC
 Voltage rating: 125V AC DC
 Standard Operating Temperature:
 -0°C ~ +70°C
 Storage Temperature: -40°C ~ +85°C
 Contact resistance: 20mΩ max.
 Insulation resistance: 1000MΩ min.
 Withstanding voltage: 1000V AC/min.

RJ45 Series

76A0-5400*H

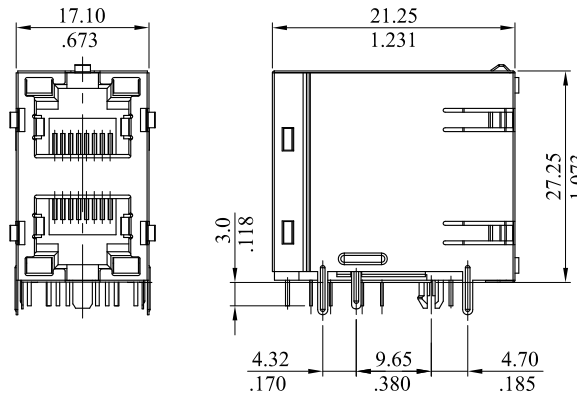


Features

76A0 Jack:
 Physical
 Plastic parts:
 High performance thermoplastic
 flammability rating UL94V-0
 Shell:
 High performance copper alloy
 or stainless steel contacts
 Contact: High performance
 copper alloy
 Input pins:
 High performance copper alloy

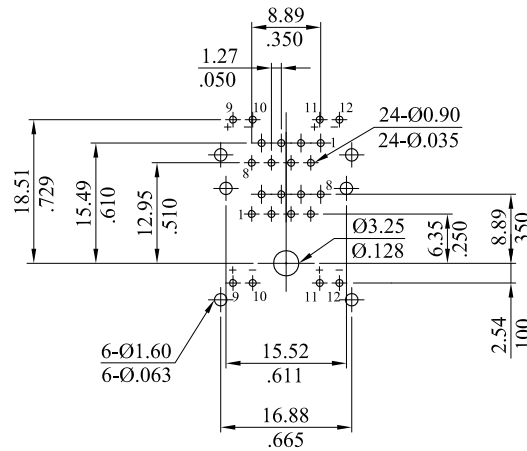
Standards

RoHS Compliant

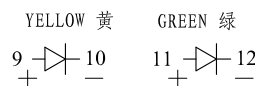


Mechanical
 Solderability: IPC/Per JEDEC
 J-STD-002
 Mating force: 22N max.
 Unmating force: 22N min.

Networking RJ series ordering information see page F6



Recommended PCB Layout

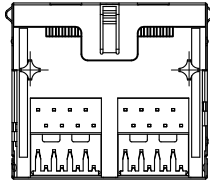


Specifications

Current rating: 1.5A AC DC
 Voltage rating: 125V AC DC
 Standard Operating Temperature:
 -0°C ~ +70°C
 Storage Temperature: -40°C ~ +85°C
 Contact resistance: 20mΩ max.
 Insulation resistance: 1000MΩ min.
 Withstanding voltage: 1000V AC/min.

Rj45 Series

76B0-5Z00*H

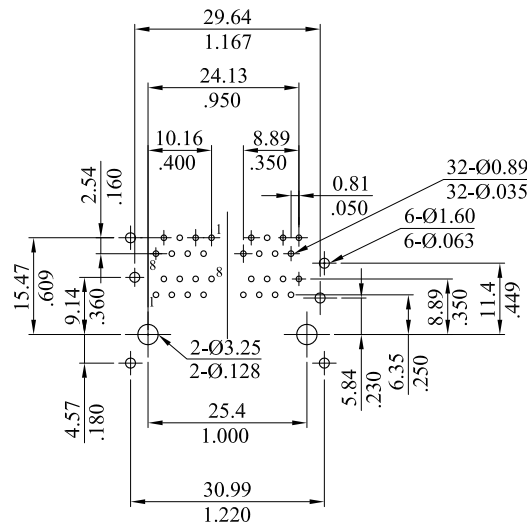
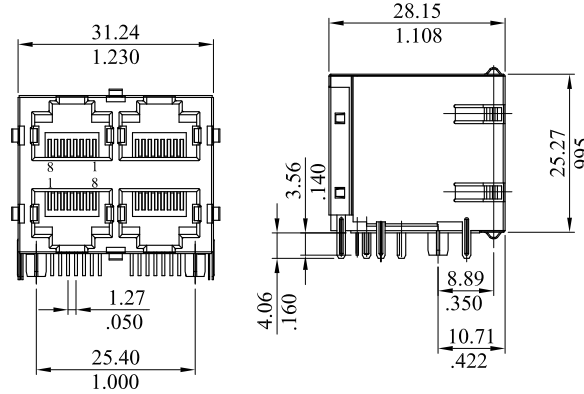


Features

76B0 Jack:
 Physical
 Plastic parts:
 High performance thermoplastic
 flammability rating UL94V-0
 Shell:
 High performance copper alloy
 or stainless steel contacts
 Contact: High performance
 copper alloy
 Input pins:
 High performance copper alloy

Standards

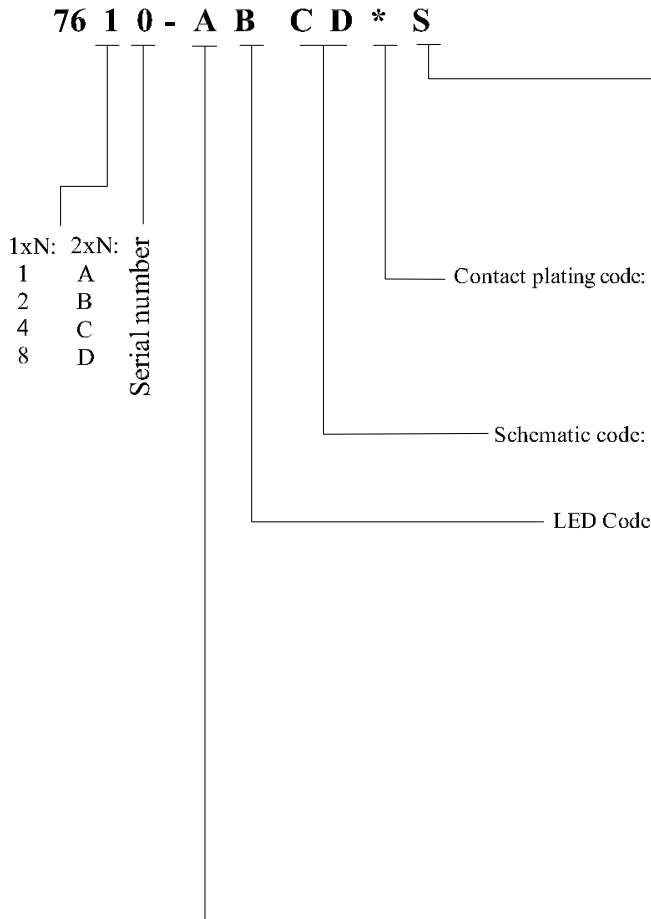
RoHS Compliant



Recommended PCB Layout



Networking RJ Series Ordering Information



	Spring W/O	Spring Top	Spring Side	Spring Top+Side
Shell W/O	1	2	3	4
Shell Half	5	6	7	8
Shell Full	A	B	C	D
Shell Spring 1.0	E	F	G	H
Shell Spring 2.0	J	K	L	M

Contact plating code: U=Gold flash over 30u"min. nickel overall
 W=15u"min. gold over 30u"min. nickel overall
 Z=30u"min. gold over 30u"min. nickel overall
 G=50u"min. gold over 30u"min. nickel overall
 Metal foot : Tin plated 120u"min. 30u"nickel overall

Schematic code: Please see product drawing
 Without schematic code: 00

LED Code:

Right LED / Left LED	Yellow	Green	Orange	G/O	G/Y	Blue
Yellow	-	4	-	B	F	-
Green	1	5	0	C	G	J
Orange	-	6	-	D	-	-
G/O	2	7	A	E	-	-
G/Y	3	8	-	-	H	-
Blue	-	9	-	-	-	-

Without LED Code:Z

		Input Pin 2	Input Pin 4	Input Pin 8	Input Pin 10	Input Pin 12
Tap Up	4P2C	1	2	-	-	-
	4P4C	3	4	-	-	-
	8P8C	-	-	5	6	7
		Input Pin 2	Input Pin 4	Input Pin 8	Input Pin 10	Input Pin 12
Tap Down	4P2C	A	B	-	-	-
	4P4C	C	D	-	-	-
	8P8C	-	-	E	F	G