

Miniature Version Conforming to JIS-C-5432



JM series connectors conform to JIS-C-5432. These connectors are used in a wide variety of industrial machinery applications.

FEATURE

- Miniature and High Density
#20 and #16 contact sizes are available
- 5 key design prevents mis-mating
- Quick and Easy Termination
Contacts are pre-loaded in the connector. Solder cups are permanently oriented in one direction to simplify termination.
- UL 94V-0 materials used
- Optional dip solder termination

SPECIFICATION

	Contact size		
	#20	#16	
Voltage rating (max.)	250V AC (rms), 350V DC		
Current rating (max.)	5A	10A	
Operating temperature	-25°C to +85°C		
Insulation resistance	1000MΩ min. at 500V DC		
Dielectric withstanding voltage	1000V AC (rms) at sea level		
Contact resistance	5mΩ max. at 1A		
Vibration	10-55Hz, Amplitude: 1.5mm		
Shock	Acceleration 50G		
Durability	500 cycles		
Humidity (Steady state)	40°C, 90 to 95%, 96 hours		
Temperature cycle	-40°C to +100°C, 5cycles		
Salt spray	5%, 35°C, 48 hours		
Wire size	Contact size	AWG #20	AWG #16
	Wire size Conductor crossared	AWG #20 or Less	AWG #16 or Less

MATERIAL/FINISH

Insert	PBT resin (UL94V-0)/Blue
Contact	Copper alloy/Silver or Gold plating
Shell	Zinc alloy/Trivalent Chromium finish (Black)
Hood	ABS resin (UL94V-0)/Black
Cap	Aluminum alloy/Black, anti-corrosive treatment

JM Series

Insert Arrangements (Front View of Male Insert)

No. of Contacts	3	4	5	7		10	
Shell Size	13	21	13	16	21	16	21
Arrangements							
Insert No.	1303	2104	1305	1607	2107	1610	2110

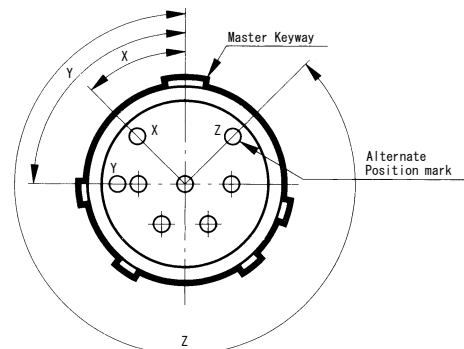
No. of Contacts	19	16		24	28	32
Shell Size	21	21	25	25	25	25
Arrangements						
Insert No.	2119	2116	2516	2524	2528	2532

○.....#16 Male contact ●.....#20 Male contact

Note : Connector mating side for plug shell (Standard insert position)

Alternate Insert Positions

No. of Contacts	Insert Number	X	Y	Z
3	1303	30°	60°	180°
4	2104	30°	135°	—
5	1305	45°	90°	315°
7	1607	30°	135°	—
	2107	30°	135°	—
10	1610	45°	90°	315°
	2110	45°	90°	315°
16	2116	45°	90°	315°
	2516	45°	90°	315°
19	2119	45°	90°	315°
24	2524	45°	90°	315°
28	2528	45°	90°	315°
32	2532	45°	90°	315°



Front view of pin insert

I
JM

JMSP2524MXGD-D

SHELL STYLE

SP: Straight Plug
 LP: Angle Plug
 R: Box Mounting Receptacle
 WR: Wall Mounting Receptacle
 CR: Cable Connecting Receptacle
 WL: Angle Wall Receptacle
 CL: Angle Cable Receptacle

INSERT ARRANGEMENT

See table

CONTACT STYLE

M: Male (Pin)
 F: Female (Socket)

TAIL STYLE/HOOD MATERIAL

Omit: Solder cup/Plastic hood
 D: Dip solder tail (Shell style "R" only)
 M: Solder cup/Metal hood

CONTACT PLATING

Omit: Silver Plating
 G: Gold plating

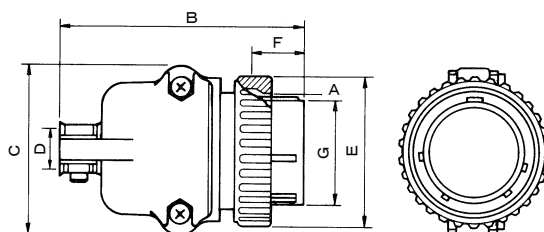
ALTERNATE INSERT POSITION

Omit: Standard position
 X, Y, Z: Alternate position

■ Straight Plug

• Plastic Hood Type

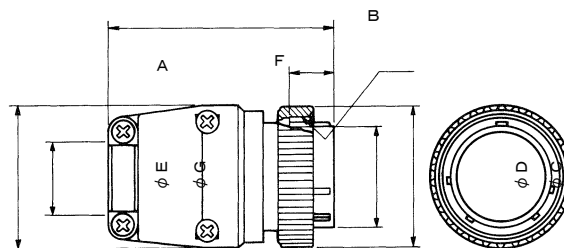
JMSP□□□□□□□-D



Shell Size	A	B	C	D	E±1	F ⁺⁰ _{-0.8}	G ⁺⁰ _{-0.2}
13	M18×1	46.5	26.5	3.0~8.0	21	11.2	12.7
16	M22×1	48.8	30.5	3.0~9.0	25	11.2	16.3
21	M26×1	51.8	34.0	8.0~12.0	29	11.2	20.5
25	M30×1	54.1	37.5	9.6~15.0	33	11.2	24.7

• Metal Hood Type

JMSP□□□□□□□M-D



Shell Size	A	B	C	D	E±1	F ⁺⁰ _{-0.8}	G ⁺⁰ _{-0.2}
13	M18×1	48.5	24.0	7.0~8.7	21	11.2	12.7
16	M22×1	50.5	27.9	8.0~10.5	25	11.2	16.3
21	M26×1	52.5	32.1	10.0~13.0	29	11.2	20.5
25	M30×1	55.5	35.3	14.0~16.0	33	11.2	24.7

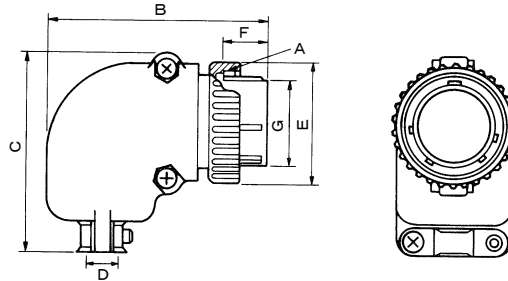
JM Series

Unit : mm

Right Angle Plug

Plastic Hood Type

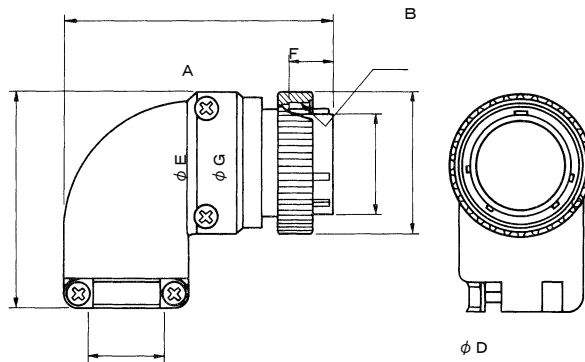
JMLP□□□□□□□-D



Shell Size	A	B	C	D	E±1	F ⁺⁰ _{-0.8}	G ⁺⁰ _{-0.2}
13	M18×1	49.3	41.05	3.0~8.0	21	11.2	12.7
16	M22×1	55.0	46.00	3.0~9.0	25	11.2	16.3
21	M26×1	57.5	50.30	8.0~12.0	29	11.2	20.5
25	M30×1	63.0	54.50	9.6~15.0	33	11.2	24.7

Metal Hood Type

JMLP□□□□□□□M-D



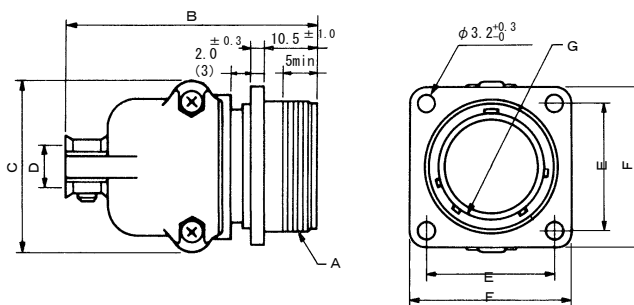
Shell Size	A	B	C	D	E±1	F ⁺⁰ _{-0.8}	G ⁺⁰ _{-0.2}
13	M18×1	52.5	42.5	7.0~8.7	21	11.2	12.7
16	M22×1	57.0	46.5	8.0~10.5	25	11.2	16.3
21	M26×1	60.5	50.7	10.0~13.0	29	11.2	20.5
25	M30×1	66.0	53.4	14.0~16.0	33	11.2	24.7

I
JM

Wall Mounting Receptacle

Plastic Hood Type

JMWR□□□□□□□-D

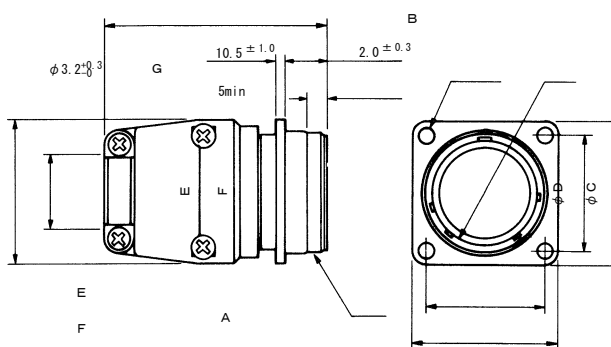


Shell Size	A	B	C	D	E±0.2	F±0.5	G ^{+0.2} ₋₀
13	M18 × 1	46.5	26.5	3.0~8.0	20	26	13.0
16	M22 × 1	48.8	30.5	3.0~9.0	23	29	16.6
21	M26 × 1	51.8	34.0	8.0~12.0	26	32	20.8
25	M30 × 1	54.1	37.5	9.6~15.0	29	35	25.0

I
JM

Metal Hood Type

JMWR□□□□□□□M-D

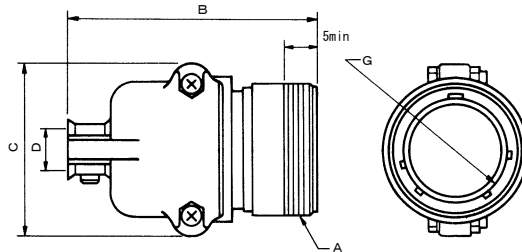


Shell Size	A	B	C	D	E±0.2	F±0.5	G ^{+0.2} ₋₀
13	M18 × 1	48.5	24.0	7.0~8.7	20	26	13.0
16	M22 × 1	50.5	27.9	8.0~10.5	23	29	16.6
21	M26 × 1	52.5	32.1	10.0~13.0	26	32	20.8
25	M30 × 1	55.5	35.3	14.0~16.0	29	35	25.0

■ Cable Connecting Receptacle

• Plastic Hood Type

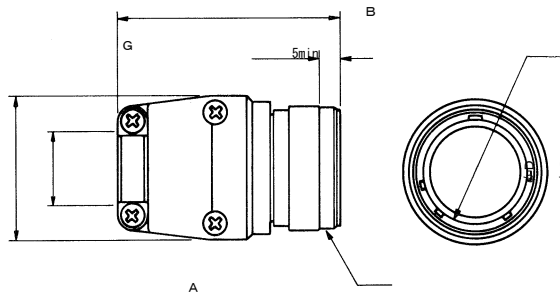
JMCR□□□□□□□-D



Shell Size	A	B	C	D	G ^{+0.2} ₋₀
13	M18 × 1	46.5	26.5	3.0~8.0	13.0
16	M22 × 1	48.8	30.5	3.0~9.0	16.6
21	M26 × 1	51.8	34.0	8.0~12.0	20.8
25	M30 × 1	54.1	37.5	9.6~15.0	25.0

• Metal Hood Type

JMCR□□□□□□□M-D

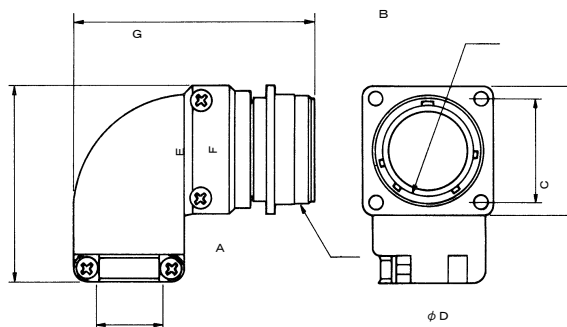


Shell Size	A	B	C	D	G ^{+0.2} ₋₀
13	M18 × 1	48.5	24.0	7.0~8.7	13.0
16	M22 × 1	50.5	27.9	8.0~10.5	16.6
21	M26 × 1	52.5	32.1	10.0~13.0	20.8
25	M30 × 1	55.5	35.3	14.0~16.0	25.0

Right Angle Wall Mounting Receptacle

• Metal Hood Type

JMWL□□□□□□□M-D

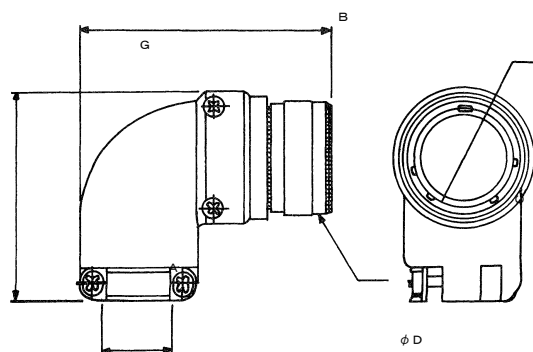


Shell Size	A	B	C	D	E±0.2	F±0.5	G ^{+0.2} ₋₀
13	M18×1	52.5	42.5	7.0~8.7	20	26	13.0
16	M22×1	57.0	46.5	8.0~10.5	23	29	16.6
21	M26×1	60.5	50.7	10.0~13.0	26	32	20.8
25	M30×1	66.0	53.9	14.0~16.0	29	35	25.0

Right Angle Cable Receptacle

• Metal Hood Type

JMCL□□□□□□□M-D



Shell Size	A	B	C	D	G ^{+0.2} ₋₀
13	M18×1	52.5	42.5	7.0~8.7	13.0
16	M22×1	57.0	46.5	8.0~10.5	16.6
21	M26×1	60.5	50.7	10.0~13.0	20.8
25	M30×1	66.0	53.9	14.0~16.0	25.0

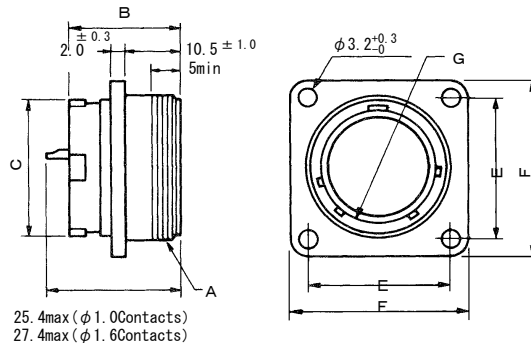
JM Series

Unit : mm

Box Mounting Receptacle

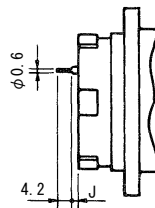
JMR□□□□□□□-D

Solder Cup Type



Shell Size	A	B	C	E±0.2	F±0.5	G ^{+0.2} ₋₀
13	M18 × 1	20.4	16	20	26	13.0
16	M22 × 1	20.4	20	23	29	16.6
21	M26 × 1	20.4	24	26	32	20.8
25	M30 × 1	21.6	28	29	35	25.0

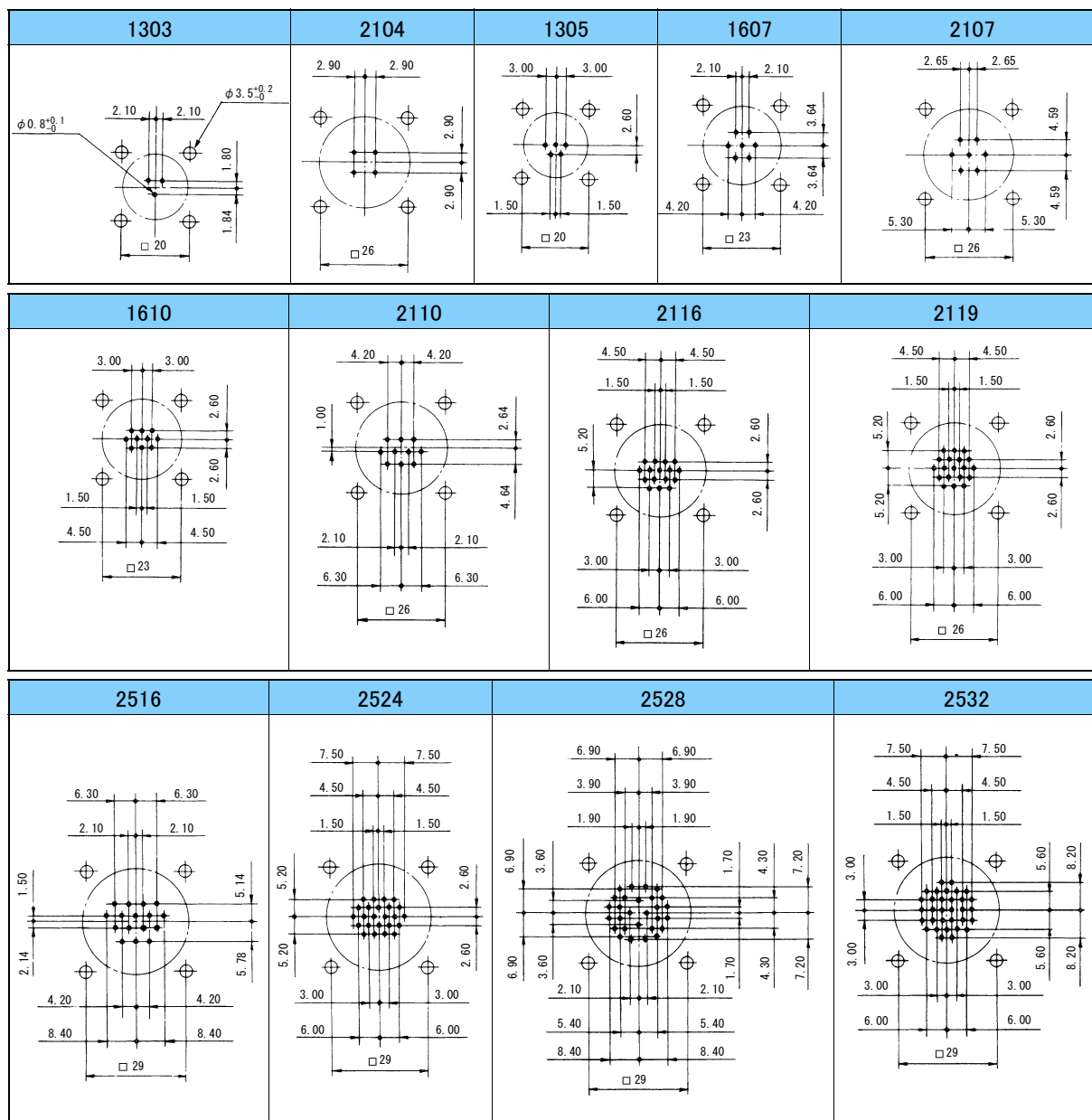
Dip Solder Type



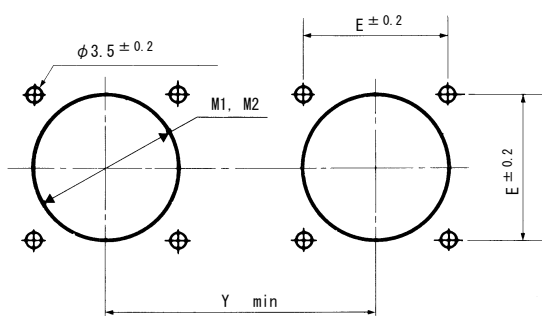
Shell Size	A	B	C	E±0.2	F±0.5	G ^{+0.2} ₋₀	J±0.5
13	M18 × 1	20.4	16	20	26	13.0	2.5
16	M22 × 1	20.4	20	23	29	16.6	2.5
21	M26 × 1	20.4	24	26	32	20.8	2.5
25	M30 × 1	21.6	28	29	35	25.0	1.3

I
JM

P.C.B. Mounting Holes for Dip Soldering Type



Panel Cut-Out (for JMR/JMWR/JMCL/JMWL)



Shell size	E	M ₁	M ₂	Y
13	20	17	19	42
16	23	21	23	46
21	26	25	27	50
25	29	29	31	54

M₁: Front mounting holes dia. (Shell style "R" only)
 M₂: Rear mounting holes dia.

Cap

JMPC25

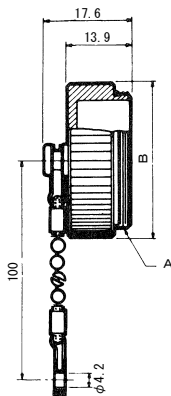
CAP STYLE

PC : Plug cap
RC : Receptacle cap

SHELL SIZE

13, 16, 21, 25

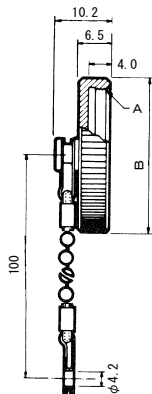
Plug Cap



JMPC□□

Shell size	A	B ± 1
13	M18 × 1	21
16	M22 × 1	25
21	M26 × 1	29
25	M30 × 1	33

Receptacle Cap



JMRC□□

Shell size	A	B ± 1
13	M18 × 1	21
16	M22 × 1	25
21	M26 × 1	29
25	M30 × 1	33