

## Moistureproof Receptacle Type Conforming to MIL-C-5015



DDK's CE02-2A series provides a set of vibration-resistant, moistureproof, and oilproof receptacle connectors. This series uses synthetic rubber for its front inserts to cope with the various environments in which industrial machines are installed. The products in the CE02-2A series are compatible with those in the D/MS series and comply to MIL-C-5015. They prevent the entry of water moisture, cutting oil, and other foreign matter into machines where these connectors are employed, helping enhance the reliability of the machines. Typically, their best applications are in servo motors, machine tools, and equipment relating to factory automation as well as in extremely dusty environments. For plug connectors to mate with these receptacle connectors, DDK recommends that you use the CE02-6A series or the D/MS (D190) series available from DDK.

### FEATURE

- The products in the CE02-2A series are interchangeable with those in the DMS series, because both are identical in installation dimensions.
- The inserts are of a three-piece design. Their contacts will not break when used under normal operating conditions.
- The inserts, which are made of silicone rubber, may be used at temperature of up to 125°C
- Coupling a receptacle connector in the CE02-2A series with a plug connector in the CE02-6A series or the D/MS (D190) series allows the entire joint between the two connectors to be moistureproof.

G  
CE02-2A

### SPECIFICATION

Shell	Aluminum alloy/Zinc plating, Trivalent Chromium finish (Black)
Front insert	Silicone rubber
Middle insert	PPS resin
Rear insert	PPS resin
Contact	Copper alloy/Silver plating
Flange gasket	Silicone rubber

### MATERIAL/FINISH

Current rating	Contact size	#16	#12	#8
	Max.value/Per contact		13A	23A
Voltage rating	AC (rms)	250V	350V	350V
	DC	350V	500V	500V
Dielectric withstanding voltage	AC (rms), 1minute	1,000V	1,500V	1,500V
Contact resistance	less than mΩ	5mΩ max.		
Operating temperature		-40°C to +125°C		

### WIRE SIZE

Contact Size	AWG
#16	#16-#22
#12	#12-#14
#8	#8-#10

# CE02-2A Series

## Insert Arrangements

The inserts in the CE02-2A series are identical to those in the DMS series. Only the pin inserts are shown below.

Insert No.	18-10	18-12	20-15	20-29
Arrangements				
Insert No.	22-14	22-22	22-23	24-10
Arrangements				

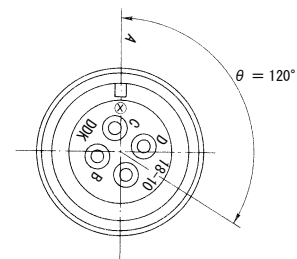
Note : Each of the inserts in the CE02 series is viewed from its coupling side. All keys are set at their standard positions

G

CE02-2A

## Alternate Insert Positions

Insert No.	Contact Size/ No of Contact	Non-standard key positions $\theta$			
		W	X	Y	Z
18-10P	#12/4	—	120°	240°	—
18-12P	#16/6	80°	—	—	280°
20-15P	#12/7	80°	—	—	280°
20-29P	#16/17	80°	—	—	280°
22-14P	#16/19	80°	110°	250°	280°
22-22P	#8/4	—	110°	250°	—
22-23P	#12/8	35°	—	—	—
24-10P	#8/7	80°	—	—	280°



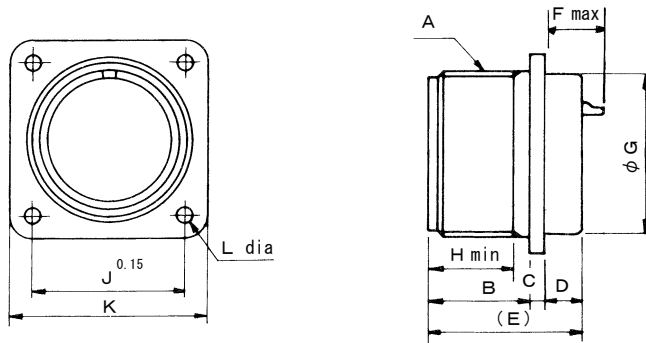
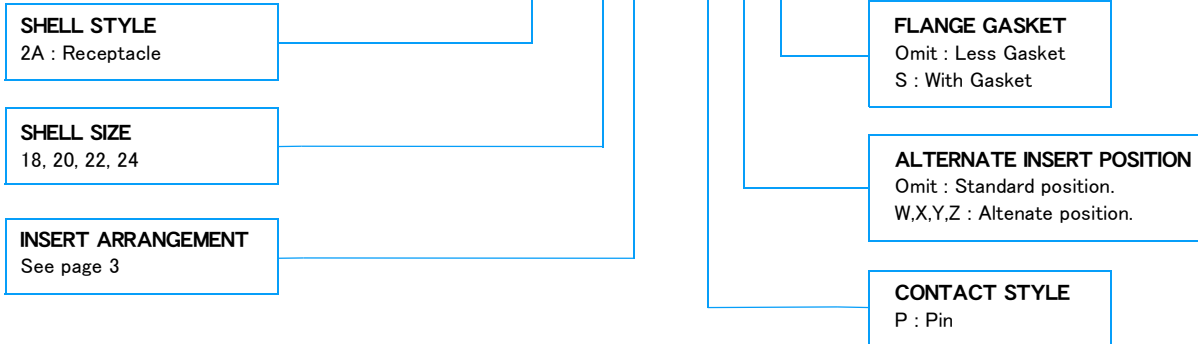
Front View of Pin Insert  
(for Model CE02-2A18-10P□-D)

When more than one connector (of the same model ) is used in a single device, the key positions should be changed as shown in order to prevent the wrong connectors from being coupled together.

# CE02-2A Series

Unit : mm

## CE02-2A 20-29PWS-D



**G**  
CE02-2A

P/N	A	B	C	D	(E)	max F	±0.5 G	min H	±0.15 J	K	<sup>+0.25</sup> -0.12 L
CE02-2A18-10P-D	1 1/8-18UNEF-2A	19.2	3.35	7.44	30.03	13.8	25.4	15.88	26.97	34.9	3.05
CE02-2A18-12P-D	1 1/8-18UNEF-2A	19.2	3.35	7.44	30.03	11.5	25.4	15.88	26.97	34.9	3.05
CE02-2A20-15P-D	1 1/4-18UNEF-2A	19.2	3.35	7.44	30.03	13.8	28.6	15.88	29.36	38.1	3.05
CE02-2A20-29P-D	1 1/4-18UNEF-2A	19.2	3.35	7.44	30.03	11.5	28.6	15.88	29.36	38.1	3.05
CE02-2A22-14P-D	1 3/8-18UNEF-2A	19.2	3.35	7.44	30.03	11.5	31.8	15.88	31.75	41.3	3.05
CE02-2A22-22P-D	1 3/8-18UNEF-2A	19.2	3.35	7.44	30.03	16.9	31.8	15.88	31.75	41.3	3.05
CE02-2A22-23P-D	1 3/8-18UNEF-2A	19.2	3.35	7.44	30.03	13.8	31.8	15.88	31.75	41.3	3.05
CE02-2A24-10P-D	1 1/2-18UNEF-2A	20.8	3.35	7.44	31.59	15.3	34.9	15.88	34.93	44.4	3.73