

D/MS Series of Cable Clamps and Back Shells



Unit : mm

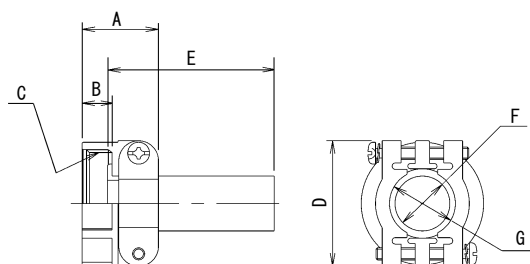
■ Cable Clamp (with Rubber Bushing)

D/MS3057-□□AK

Material/Finish.....Aluminum alloy/Zinc Plating, Trivalent chromate finish (Black)

D
D/MS A

P/N	Shell Size	A	B	C Thread	D	E	F	G	Bushing Par Number
D/MS3057-4AK	10SL, 12S	20.62	10.31	5/8-24 UNEF	22.23	69.8	5.59	7.67	AN3420-4
D/MS3057-6AK	14S	22.23	10.31	3/4-20 UNEF	26.97	66.7	7.92	10.85	AN3420-6
D/MS3057-8AK	16S, 16	23.83	10.31	7/8-20 UNEF	29.36	63.5	11.10	14.02	AN3420-8
D/MS3057-10AK	18	23.83	10.31	1-20 UNEF	31.75	60.3	14.27	15.62	AN3420-10
D/MS3057-12AK	20, 22	23.83	10.31	1 3/16-18 UNEF	37.31	57.2	15.88	18.80	AN3420-12
D/MS3057-16AK	24, 28	26.19	10.31	1 7/16-18 UNEF	42.88	54.0	19.05	23.55	AN3420-16
D/MS3057-20AK	32	27.79	11.91	1 3/4-18 UNS	51.59	50.8	23.80	31.50	AN3420-20
D/MS3057-24AK	36	29.36	13.49	2-18 UNS	57.94	47.6	31.75	34.67	AN3420-24



D/MS Accessories

Unit : mm

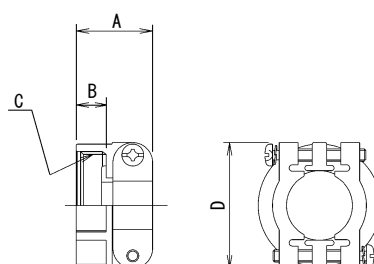
■ Cable Clamp (Less Rubber Bushing)

D/MS3057A-□□K

Material/Finish.....Aluminum alloy/Zinc Plating, Trivalent chromate finish (Black)

D
D/MS A

P/N	Shell Size	A	B	C Thread	D
D/MS3057A-4K	10SL, 12S	20.62	10.31	5/8-24 UNEF	22.23
D/MS3057A-6K	14S	22.23	10.31	3/4-20 UNEF	26.97
D/MS3057A-8K	16S, 16	23.83	10.31	7/8-20 UNEF	29.36
D/MS3057A-10K	18	23.83	10.31	1-20 UNEF	31.75
D/MS3057A-12K	20, 22	23.83	10.31	1 3/16-18 UNEF	37.31
D/MS3057A-16K	24, 28	26.19	10.31	1 7/16-18 UNEF	42.88
D/MS3057A-20K	32	27.79	11.91	1 3/4-18 UNS	51.59
D/MS3057A-24K	36	29.36	13.49	2-18 UNS	57.94



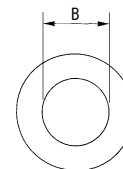
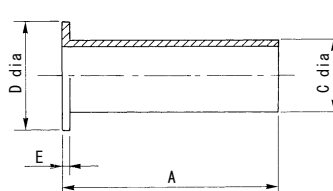
D/MS Accessories

Unit : mm

Rubber Bushings

AN3420-□□

P/N	A	B	C	D	E
AN3420-4	69.8	5.59	7.67	14.5	2.3
AN3420-6	66.7	7.92	10.85	17.5	2.3
AN3420-8	63.5	11.10	14.02	20.8	2.3
AN3420-10	60.3	14.27	15.62	23.7	2.3
AN3420-12	57.2	15.88	18.80	28.2	2.3
AN3420-16	54.0	19.05	23.55	35.0	2.9
AN3420-20	50.8	23.80	31.50	42.8	2.9
AN3420-24	47.6	31.75	34.67	48.8	2.9

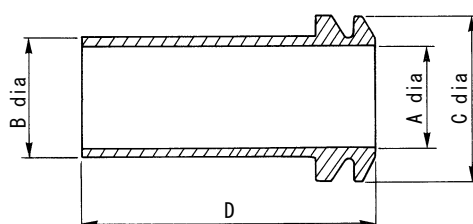


D
D/MS A

Environmental Bushings

CE3420-□□-□

P/N	A	B	C	D	E	Applicable Cable Dia. (Reference, Only)
CE3420-4-1	5.6	12.9	7.5	38.3	6.4	3.6 - 5.6
CE3420-6-1	9.0	15.7	10.9	36.4	6.7	7.0 - 9.0
CE3420-8-1	12.0	19.1	14.0	37.5	6.5	9.5 - 12.0
CE3420-8-2	10.5					8.0 - 10.5
CE3420-10-1	14.1	22.2	15.5	38.5	7.5	10.5 - 14.1
CE3420-10-2	11.0					8.5 - 11.0
CE3420-10-3	8.7					6.5 - 8.7
CE3420-12-1	16.0	26.9	18.6	39.3	8.3	12.5 - 16.0
CE3420-12-2	13.0					9.5 - 13.0
CE3420-12-3	10.0					6.8 - 10.0
CE3420-12-7	17.0					15.0 - 17.0
CE3420-16-1	19.1	33.2	23.4	40.0	8.9	15.0 - 19.1
CE3420-16-2	15.5					13.0 - 15.5
CE3420-16-6	20.0					18.5 - 20.0
CE3420-20-1	23.8	40.5	31.3	41.0	9.5	22.0 - 23.8
CE3420-20-2	26.6				8.7	24.0 - 26.6



D/MS Accessories

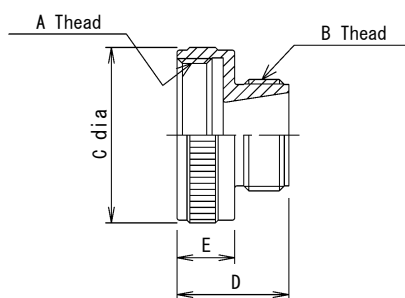
Unit : mm

Adapters

D/MS3055-□□-□

Material/Finish.....Aluminum alloy/Zinc Plating, Trivalent chromate finish (Black)

P/N	A Thread	B Thread	C	D	E
D/MS3055-18-8□	1 - 20 UNEF - 2B	7/8 - 20 UNEF - 2A	30	20.4	12
D/MS3055-18-10□	1 - 20 UNEF - 2B	7/8-20 UNEF - 2A	30	22.4	12
D/MS3055-22-8□	1 3/16 -18 UNEF - 2B	7/8 - 20 UNEF - 2A	35	22.2	12
D/MS3055-22-8L□	1 3/16 -18 UNEF - 2B	7/8 - 20 UNEF - 2A	35	28.5	12
D/MS3055-22-12□	1 3/16 -18 UNEF - 2B	1 3/16 - 18 UNEF-2A	35	22.3	12
D/MS3055-28-16□	1 7/16 - 18 UNEF - 2B	1 7/16 - 18 UNEF - 2A	41	22.4	12



D

D/MS A

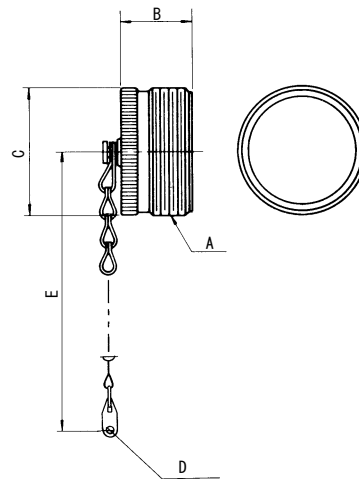
D/MS Accessories

Unit : mm

■ CAP and Chain Assembly

D/MS25042-□□DK

Material/Finish.....Aluminum alloy/Zinc Plating, Trivalent chromate finish (Black)



D
D/MS A

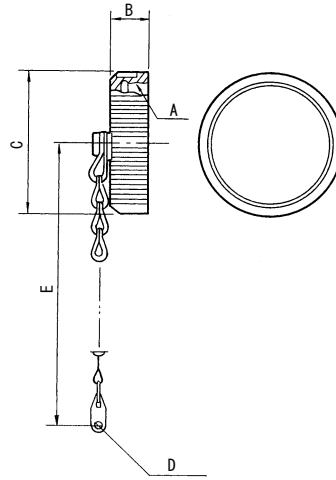
P/N	Shell Size	Threads A	B	C	D	E
D/MS25042-10DK	10SL	5/8-24UNEF	15.9	15.9	3.9	101
D/MS25042-12DK	12S	3/4-20UNEF	20.7	19.1	3.9	114
D/MS25042-14DK	14S	7/8-20UNEF	20.7	22.2	3.9	114
D/MS25042-16DK	16S,16	1-20UNEF	20.7	25.4	3.9	114
D/MS25042-18DK	18	1 1/8-18UNEF	20.7	28.6	3.9	114
D/MS25042-20DK	20	1 1/4-18UNEF	20.7	31.8	4.7	127
D/MS25042-22DK	22	1 3/8-18UNEF	20.7	34.9	4.7	127
D/MS25042-24DK	24	1 1/2-18UNEF	20.7	38.1	4.7	139
D/MS25042-28DK	28	1 3/4-18UNS	20.7	44.5	4.7	190
D/MS25042-32DK	32	2-18UNS	20.7	50.8	5.5	190
D/MS25042-36DK	36	2 1/4-16UN	20.7	57.2	5.5	190

D/MS Accessories

Unit : mm

D/MS25043-□□DK

Material/Finish.....Aluminum alloy/Zinc Plating, Trivalent chromate finish (Black)



D
D/MS A

P/N	Shell Size	Threads A	B	C	D	E
D/MS25043-10DK	10SL	5/8-24UNEF	11.1	19.1	3.5	101
D/MS25043-12DK	12S	3/4-20UNEF	11.1	22.2	3.5	114
D/MS25043-14DK	14S	7/8-20UNEF	11.1	25.4	3.5	114
D/MS25043-16DK	16S,16	1-20UNEF	11.1	29.4	3.5	114
D/MS25043-18DK	18	1 1/8-18UNEF	11.1	31.8	3.5	114
D/MS25043-20DK	20	1 1/4-18UNEF	11.1	34.9	3.5	127
D/MS25043-22DK	22	1 3/8-18UNEF	11.1	38.1	3.5	127
D/MS25043-24DK	24	1 1/2-18UNEF	11.1	42.9	4.3	139
D/MS25043-28DK	28	1 3/4-18UNS	12.7	48.8	4.3	190
D/MS25043-32DK	32	2-18UNS	12.7	55.6	4.7	190
D/MS25043-36DK	36	2 1/4-16UN	12.7	61.9	4.7	190