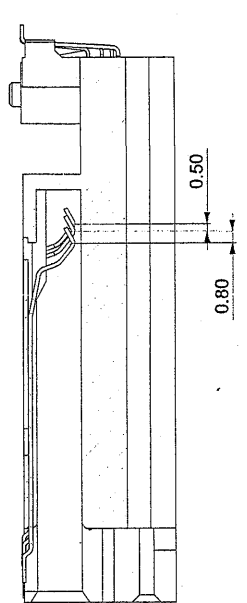


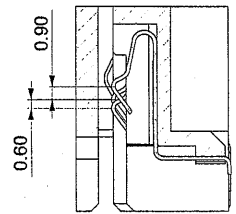
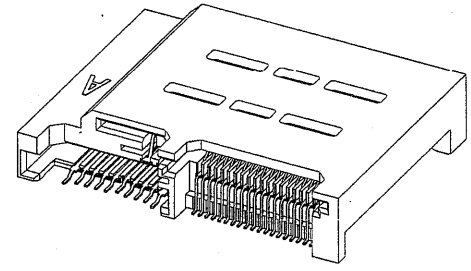
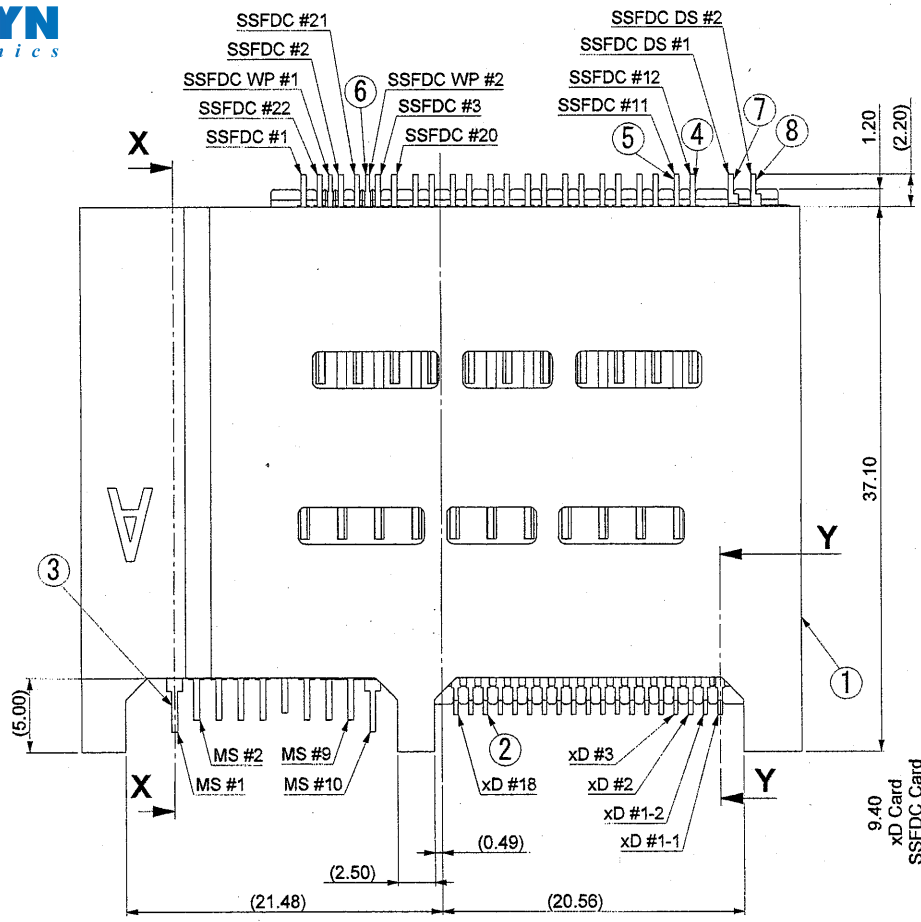


REV	DATE	DESCRIPTION	DESIGNED	CHECKED	APPROVED DATE
A	Oct. 4.2004	Initial Issue			
B	Feb.10.2005	Added the avoid and deleted p/n (-FA)	K.Sato	HL.Takahashi	Feb.10.2005
C	Apr. 6.2005	Changed top wall thickness (Increase 0.4mm)	K.Sato	K.Takahashi	Apr. 6.2005

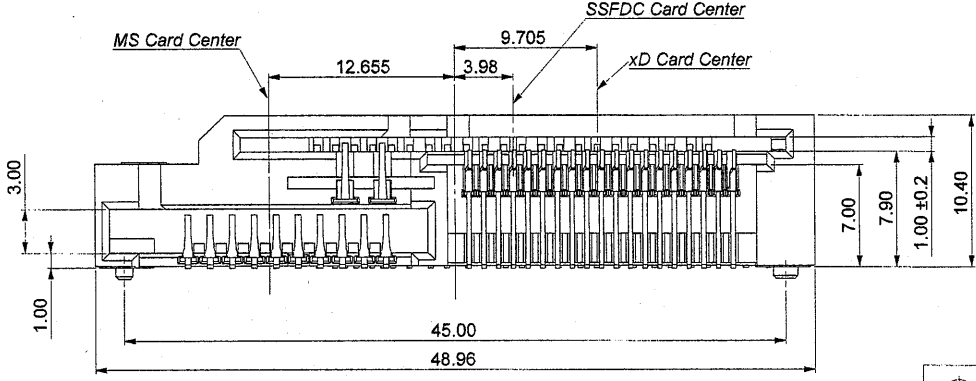
CUSTOMER DRAWING NUMBER



SECTION X-X

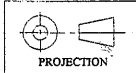


SECTION Y-Y



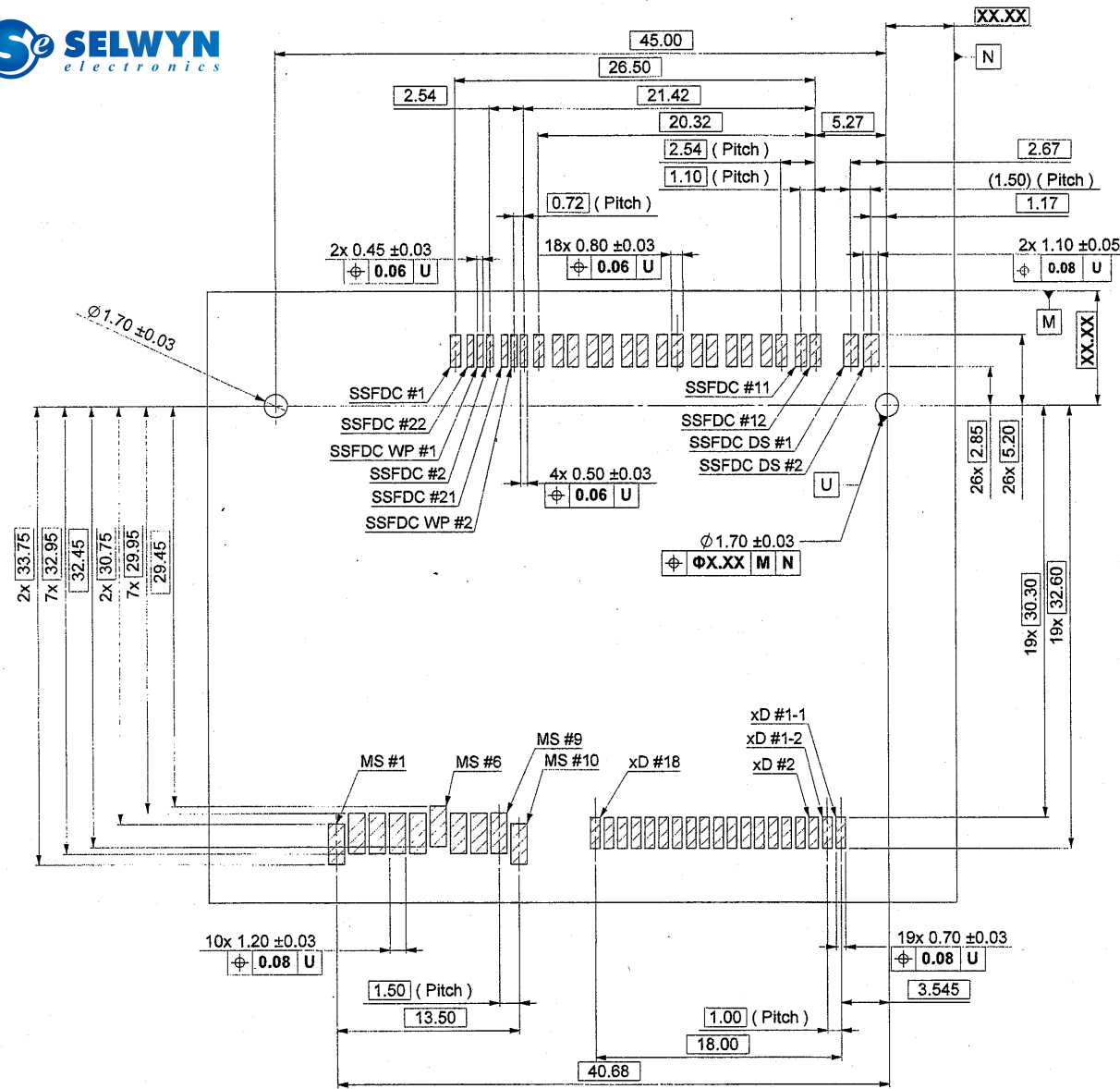
QTY.	QTY. ITEM	PART NAME	MATERIAL	FINISH etc.
1	8	SSFDC Detect Contact-B	Copper Alloy	Lead Free
1	7	SSFDC Detect Contact-A	Copper Alloy	Lead Free
2	6	SSFDC Write Protect Contact	Copper Alloy	Lead Free
11	5	SSFDC Short Contact	Copper Alloy	Lead Free
11	4	SSFDC Long Contact	Copper Alloy	Lead Free
10	3	Memory Stick Contact	Copper Alloy	Lead Free
		xD Contact	Copper Alloy	Lead Free
19	2			
1	1	Housing	High Temperature Plastic	Black Color / UL94-V0

APPROVED	DESIGNED	SCALE	GENERAL TOLERANCE	TITLE
Y.Koguchi	K.Sato	4	NOMINAL DIMENSIONS TOLERANCE	MCH-ANS5A-A-FG
Oct. 4.2004	Oct. 4.2004	1	X<3 ±0.15	DRAWING NUMBER
CHECKED	DRAWN BY	UNIT	5<X<15 ±0.25	G-502760(1/4)
Y.Koguchi	K.Sato	mm	15<X ±0.4	REV.
Oct. 4.2004	Oct. 4.2004		ANGLE ±3°	C





CUSTOMER DRAWING NUMBER

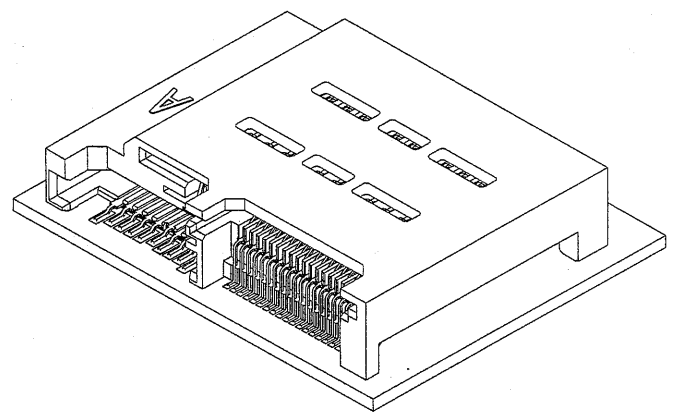
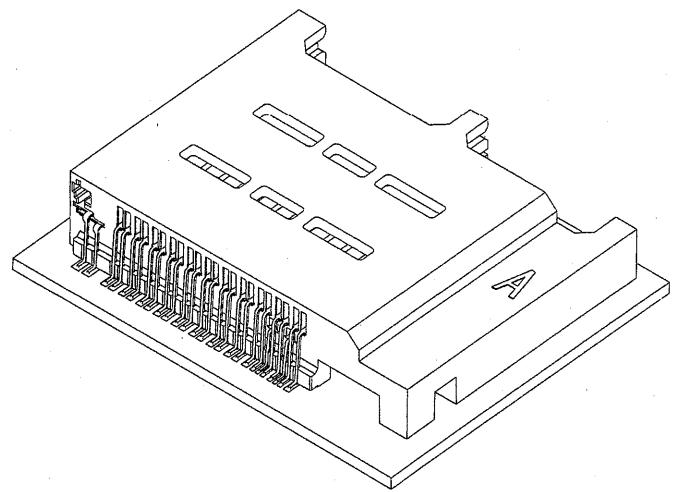


The Direction of Inserting Card  
**Recommended PCB Mounting Dimensions**  
 Connector Mounting Side View



QTY.	QTY.	ITEM	PART NAME	MATERIAL	FINISH etc.
APPROVED	DESIGNED	SCALE	GENERAL TOLERANCE	TITLE	
Y.Koguchi	K.Sato	5/1	NOMINAL DIMENSIONS TOLERANCE	MCH-ANS5A-A-FG	
Oct. 4, 2004	Oct. 4, 2004	UNIT	5-<X<15 ±0.15	DRAWING NUMBER	
CHECKED	DRAWN BY	mm	15-<X ±0.4	G-502760(2/4)	
Y.Koguchi	K.Sato	ANGLE	±3°	REV.	C
Oct. 4, 2004	Oct. 4, 2004				

REV	DATE	DESCRIPTION	DESIGNED	CHECKED	APPROVED





REV	DATE	DESCRIPTION	DESIGNED	CHECKED	APPROVED DATE

### Memory Card Pin Assignment

SSFDC Card

xD card

Memory-Stick card

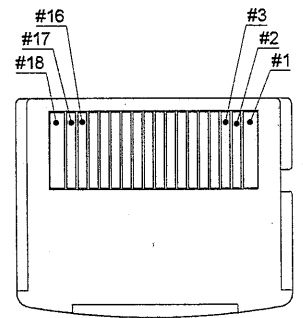
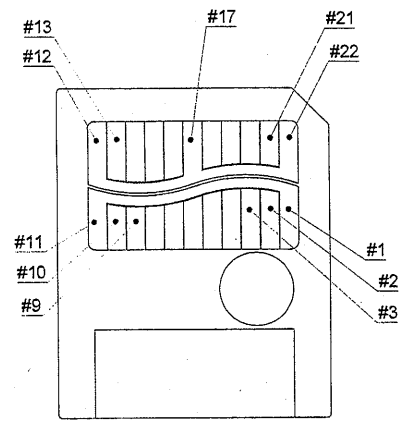
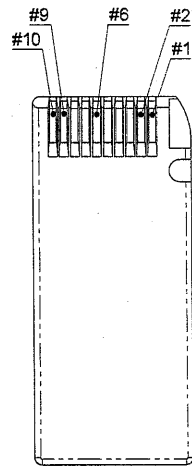


Pin #	Function
1	Ground
2	Command Latch Enable
3	Address Latch Enable
4	Write Enable
5	Write Protect
6	I/O (Data 0)
7	I/O (Data 1)
8	I/O (Data 2)
9	I/O (Data 3)
10	Ground
11	Card Detect
12	VCC (3.3V±0.3)
13	I/O (Data 4)
14	I/O (Data 5)
15	I/O (Data 6)
16	I/O (Data 7)
17	Low Voltage Detect
18	Ground
19	Ready/Busy
20	Ready Enable
21	Card Enable
22	VCC (3.3V±0.3)

Pin #	Function	Sequence		
		Card-In	Card-Out	
1-1	Detect			●
1-2	Ground	●		
2	Ready/Busy		●	
3	Ready Enable		●	
4	Card Enable		●	
5	Command Latch Enable		●	
6	Address Latch Enable		●	
7	Write Enable		●	
8	Write Protect		●	
9	Ground	●		
10	I/O (Data 0)		●	
11	I/O (Data 1)		●	
12	I/O (Data 2)		●	
13	I/O (Data 3)		●	
14	I/O (Data 4)		●	
15	I/O (Data 5)		●	
16	I/O (Data 6)		●	
17	I/O (Data 7)		●	
18	Vcc (2.7V to 3.6V)		●	

Pin #	Function	Sequence		
		Card-In	Card-Out	
1	VSS	●		
2	Signal Protocol Bus State Signal		●	
3	VCC (3.3V±0.3)		●	
4	Signal Protocol Data Signal		●	
5	Reverse		●	
6	Stick Insertion / Extraction Detect (Connect to VSS)			●
7	Address Latch Enable		●	
8	Write Enable		●	
9	Write Protect		●	
10	VSS	●	●	

CUSTOMER DRAWING NUMBER



QTY.	QTY.	ITEM	PART NAME	MATERIAL	FINISH-etc.

APPROVED	DESIGNED	SCALE	GENERAL TOLERANCE	TITLE
Y.Koguchi	K.Sato	5/1	FORMAL DIMENSIONS X<S ±0.15	MCH-ANS5A-A-FG
CHECKED	DRAWN BY	UNIT	5<X<15 ±0.25	DRAWING NUMBER
Y.Koguchi	K.Sato	mm	15<X ±0.4	G-502760(4/4)
			ANGLE ±3°	

