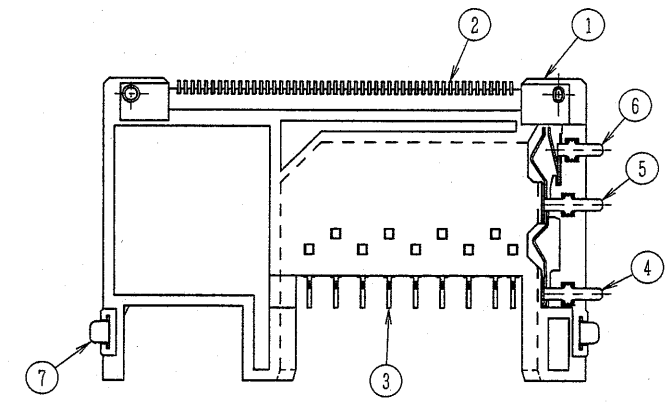
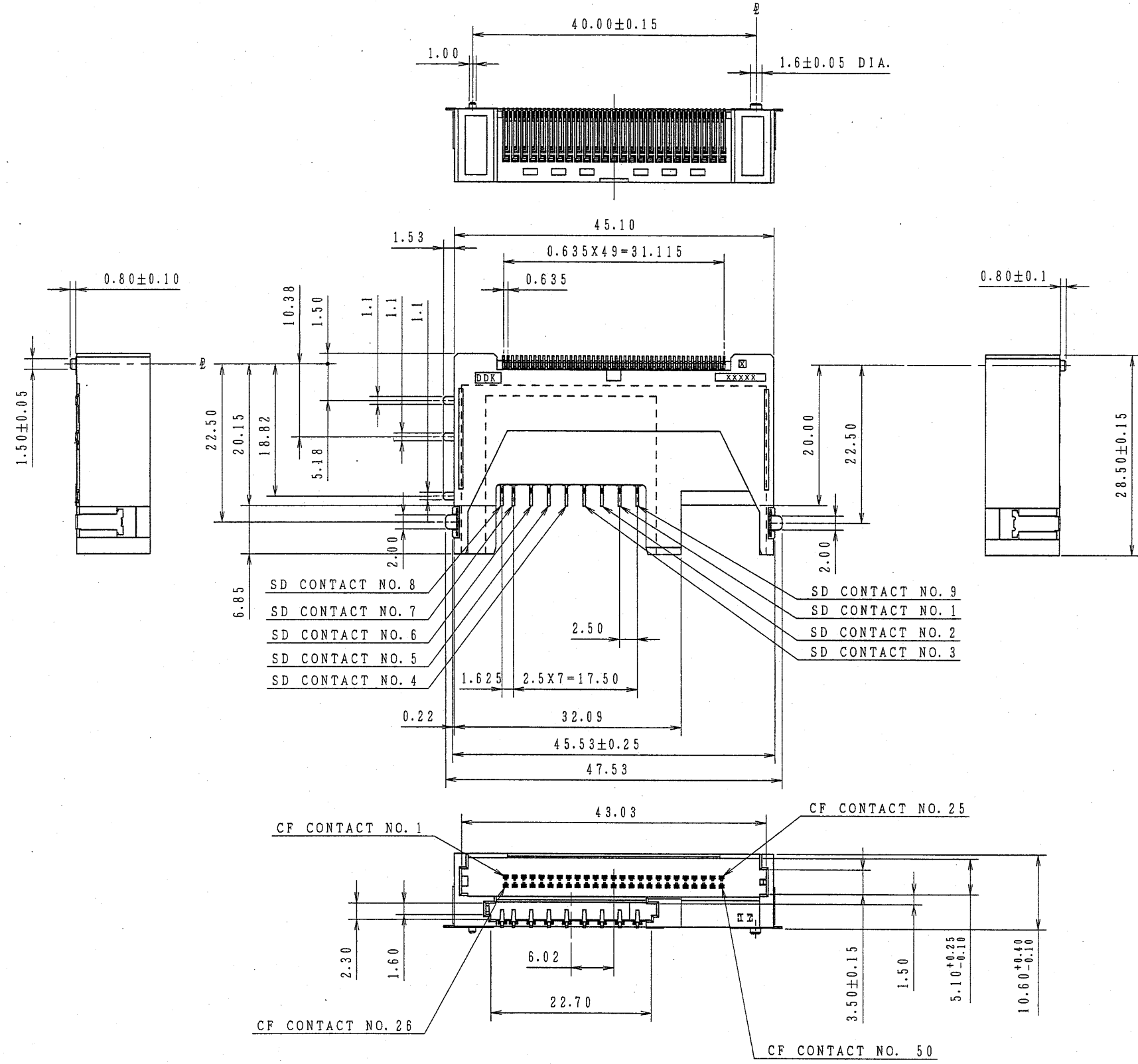


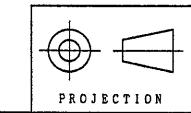


SYM	DATE	ZONE	DESCRIPTION	DESIGNED	CHECKED	APPROVED DATE
A	FEB. 27. 2004		INITIAL ISSUED			
B ₂	JUN. 7. 2004		CHANGED FOOT PRINT	H. KATO	Y. Koguchi	Y. Koguchi Jun7
C ₁	Mar. 18. 2005		Added Pb Free Part Name	H. Kato	<i>H. Kato</i>	<i>Y. Koguchi Mar 18</i>



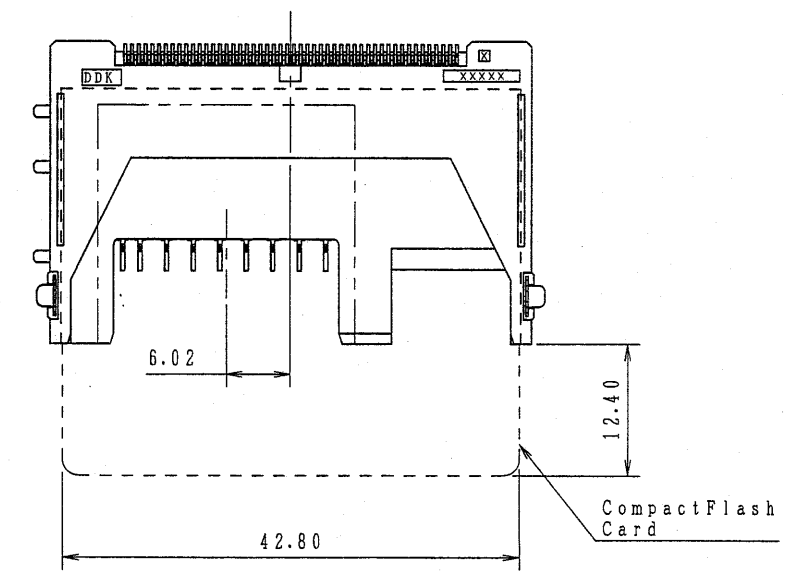
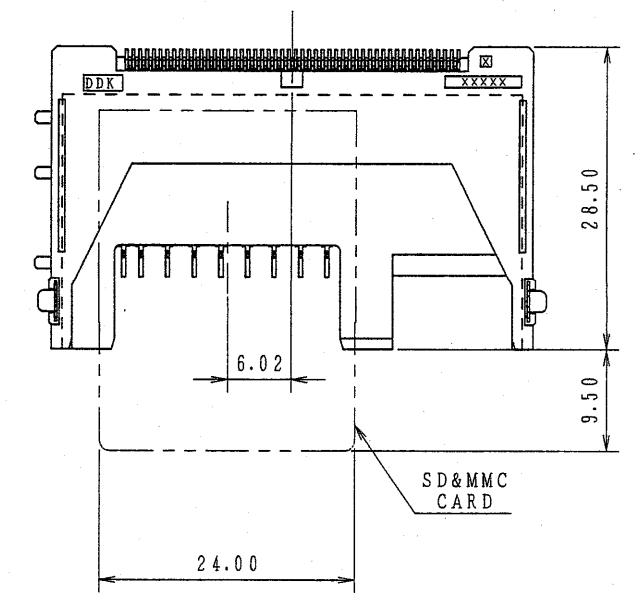
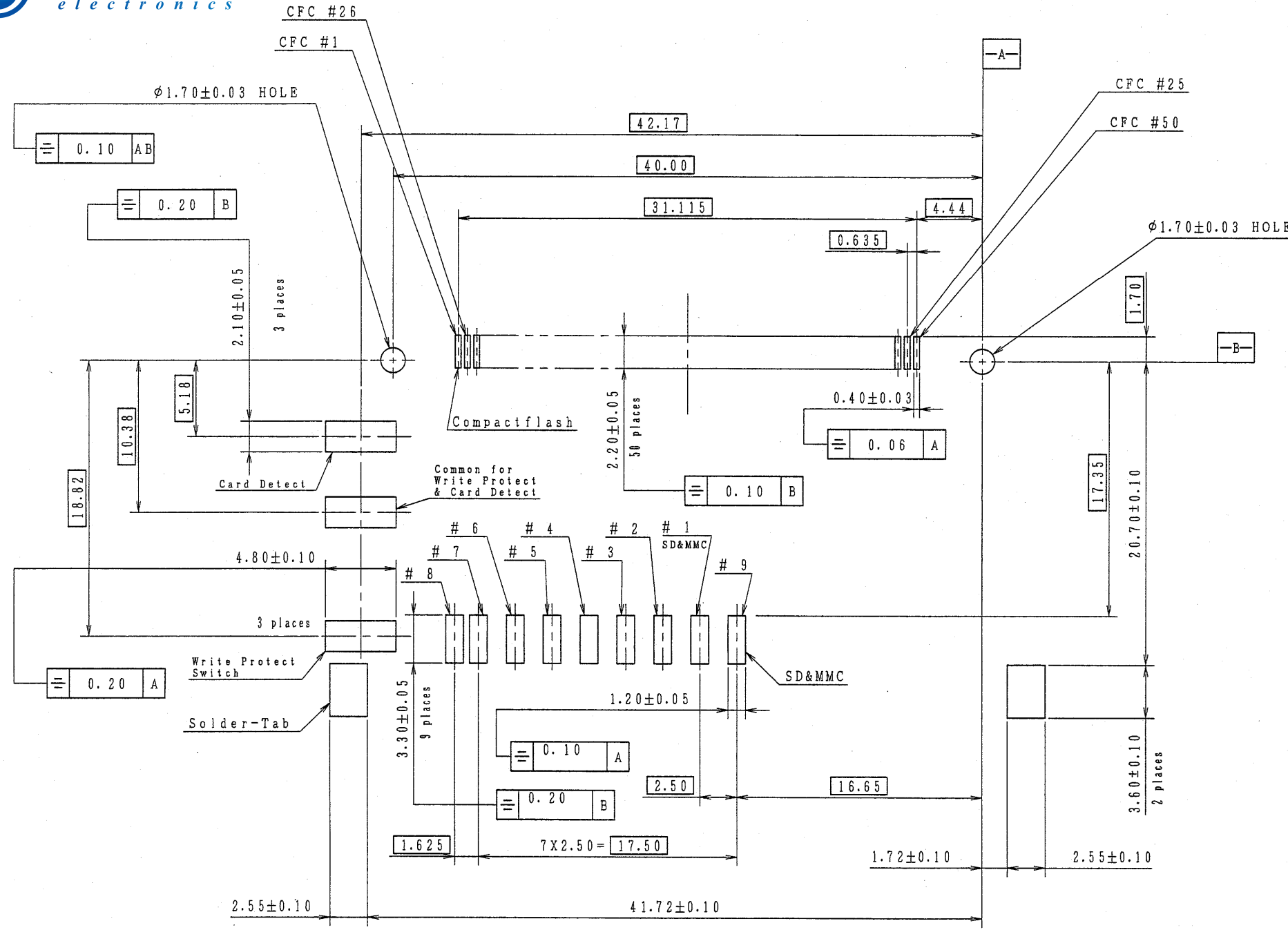
QTY.	ITEM	PART NAME	MATERIAL	FINISH, OTHER
2	7	Solder-Tab on CFC	Brass	Tin-Lead or Tin-Silber Over Nickel Plating
1	6	Card Detect Switch	Phosphor Bronze	Gold over nickel plating
1	5	Common For Write and Detect Switches	Phosphor Bronze	Gold over nickel plating
1	4	Write Protect Switch	Phosphor Bronze	Gold over nickel plating
9	3	SD & MMC Contact	Phosphor Bronze	See P/N Code 5.
50	2	Compactflash Contact	Brass	See P/N Code 5.
1	1	Compactflash Insulator	High Temp. Plastic	UL94V-0/Black

APPROVED	DESIGNED	UNIT	GENERAL TOLERANCE	PARTNUMBER
Y. SAITOH	H. KATO	m m	Less than 0.4 : ±0.15	(FOR GENERAL CUSTOMER)
FEB. 27. 2004	FEB. 27. 2004		Less than 2.0 : ±0.20	MCH-DNS5A-A-XX
CHECKED	DRAWN BY	SCALE	Less than 5.0 : ±0.30	DRAWING NUMBER
Y. SAITOH	H. KATO	5 / 1	Over 5.0 : ±0.40	G-502650 (1/4)
FEB. 27. 2004	FEB. 27. 2004	ANGLE		REV.
				C



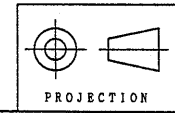


SYM	DATE	ZONE	DESCRIPTION	DESIGNED	CHECKED	APPROVED DATE
B	JUN. 7. 2004					



FOOT-PRINT
MOUNTING SIDE VIEW

QTY.	ITEM	PART NAME	MATERIAL	FINISH, OTHER
	APPROVED	DESIGNED	UNIT	GENERAL TOLERANCE
	Y. SAITOH	H. KATO	m m	Less than 0.4 : ±0.15
	FEB. 27. 2004	FEB. 27. 2004		Less than 2.0 : ±0.20
	CHECKED	DRAWN BY	SCALE	Less than 5.0 : ±0.30
	Y. SAITOH	H. KATO	5 / 1	Over 5.0 : ±0.40
	FEB. 27. 2004	FEB. 27. 2004	ANGLE	
TITLE				(FOR GENERAL CUSTOMER)
DRAWING NUMBER				MCH-DNS5A-A-XX
REV.				G-502650 (2/4) C

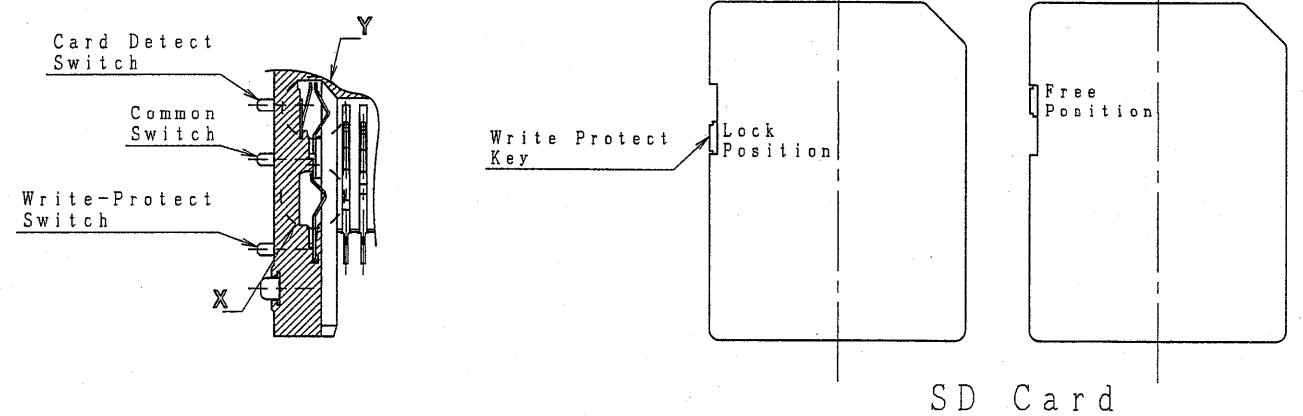




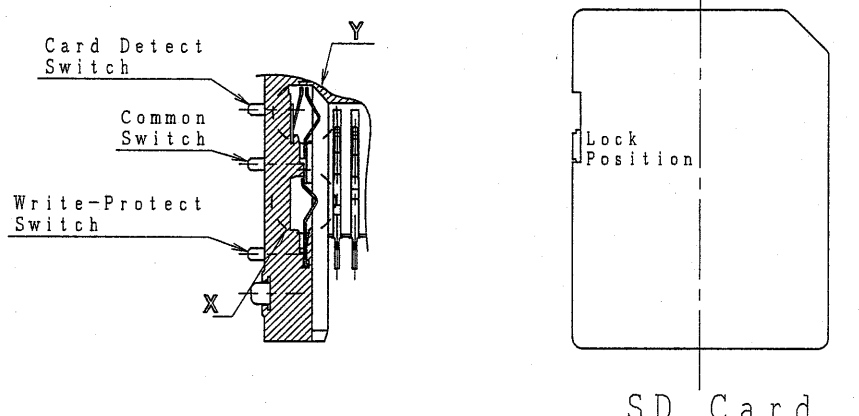
SYK	DATE	ZONE	DESCRIPTION	DESIGNED	CHECKED	APPROVED DATE

SD Switch Movement

(1) Write-Protect



(2) Card Detect



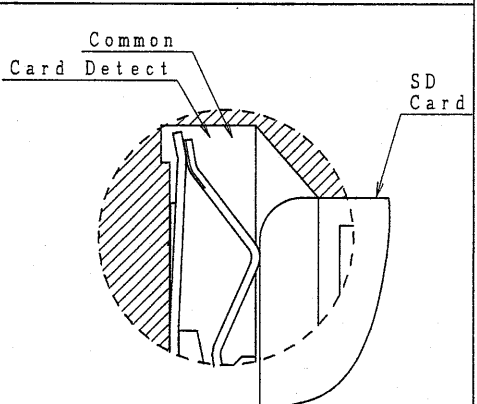
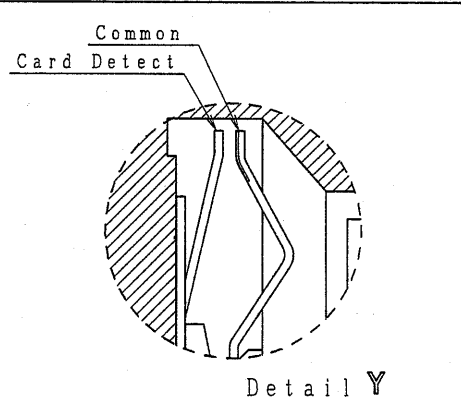
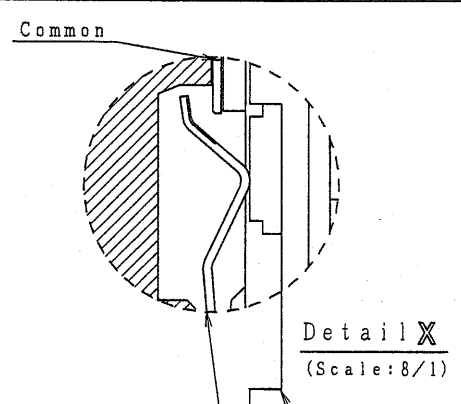
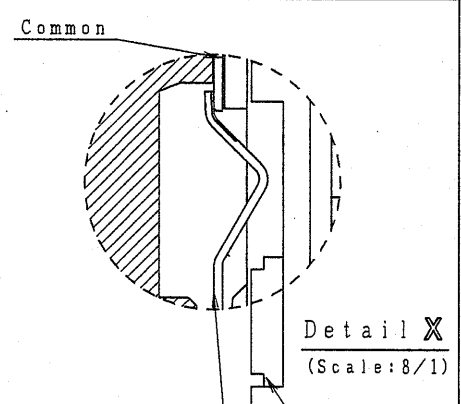
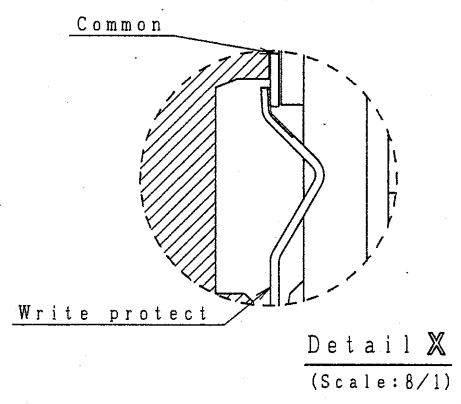
Before Card-Insertion

After Card-Insertion (Key:Lock-Position)

After Card-Insertion (Key:Free-Position)

Before Card-Insertion

After Card-Insertion (Key:Lock-Position)



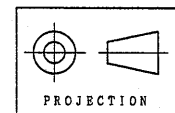
Write-Protect and Common have the electrical grounding.

Write-Protect and Common have the electrical grounding.

Write-Protect will be moved after touching with key on the card, and break the electrical connection.

No electrical grounding between Common and Card Detect Switch.

Common will move after inserting the card, and touch with Card Detect electrically.




QTY.	ITEM	PART NAME	MATERIAL	FINISH. OTHER

APPROVED	DESIGNED	UNIT	GENERAL TOLERANCE	TITLE
Y. SAITOH	H. KATO	m m	Less than 0.4 : ±0.15	(FOR GENERAL CUSTOMER)
FEB. 27. 2004	FEB. 27. 2004		Less than 2.0 : ±0.20	MCH-DNS5A-A-XX
CHECKED	DRAWN BY	SCALE	Less than 5.0 : ±0.30	DRAWING NUMBER
Y. SAITOH	H. KATO	5 / 1	Over 5.0 : ±0.40	G-502650 (3/4)
FEB. 27. 2004	FEB. 27. 2004			REV. C



PART NUMBERING CODE

MCH - D N S 5 A - A - XX
 1 2 3 4 5 6 7 8

1. SERIES NUMBER
MCH:MEMORY-CARD CONNECTOR
2. COMBINATION CONNECOTR
D:Compactflash & SD/MMC)
3. EJECTOR
N:Non-Ejector
4. CONTACT LEAD STYLE
S:SMT Leads
5. PLATING
5:0.20um(8u")Gold Over Nickel Plating (Mating Area)
See P/N Code 8 (Soldering Area)
6. LOCKING TYPE
A:With Solder tab & Switch tab
7. CONNECTOR SYELE
A:Type A
8. PLATING OF SOLDER AREA
Non:Tin-lead Over Nickel Plating
FA:Lead Free (Tin-Silver) Over Nickel Plating
 FG:Lead Free (Gold) Over Nickel Plating

SYN	DATE	ZONE	DESCRIPTION	DESIGNED	CHECKED	APPROVED DATE
C	Mar. 18. 2005					

QTY.	ITEM	PART NAME		MATERIAL	FINISH, OTHER	
		APPROVED	DESIGNED	UNIT	GENERAL TOLERANCE	TITLE
		Y. SAITOH	H. KATO	m m	Less than 0.4 : ±0.15	(FOR GENERAL CUSTOMER) MCH-DNS5A-A-XX
		FEB. 27. 2004	FEB. 27. 2004		Less than 2.0 : ±0.20	
		CHECKED	DRAWN BY	SCALE	Less than 5.0 : ±0.30	
		Y. SAITOH	H. KATO	5 / 1	Over 5.0 : ±0.40	
		FEB. 27. 2004	FEB. 27. 2004		ANGLE	DRAWING NUMBER G-502650 (4/4)
						REV. C

