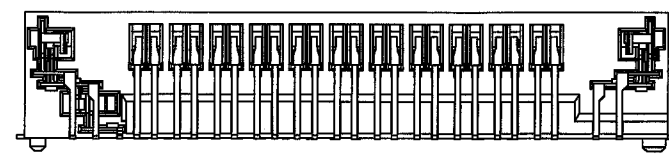
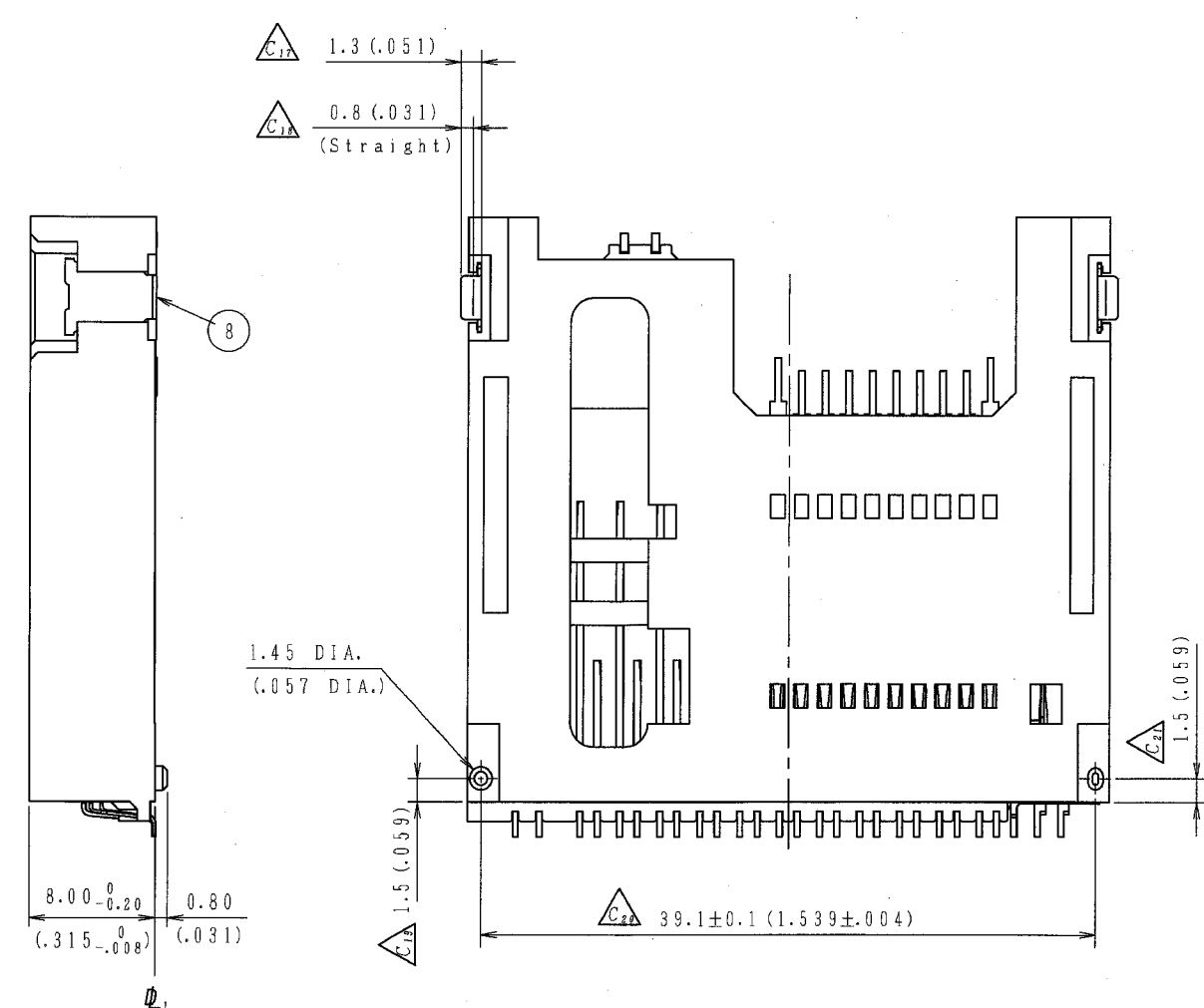
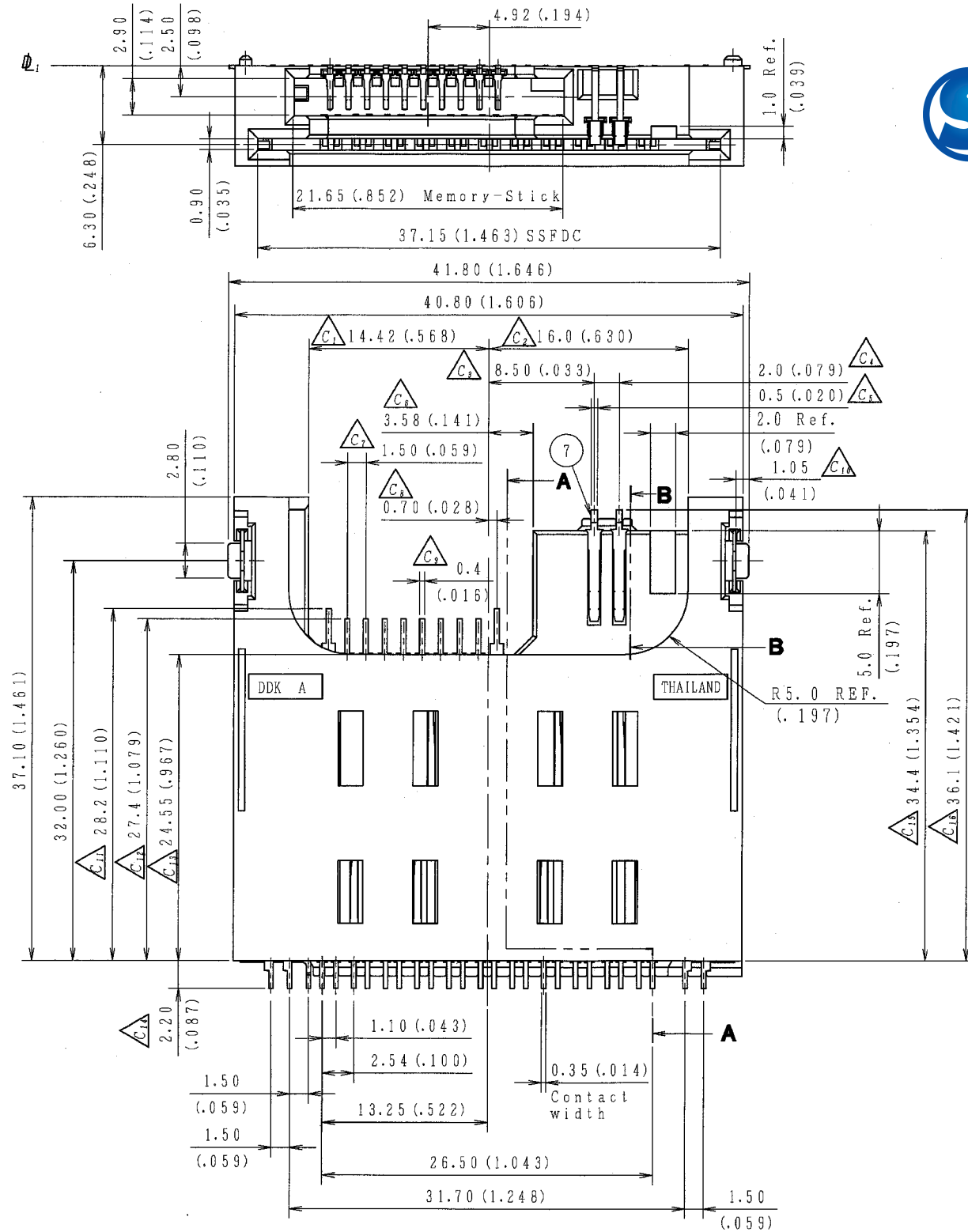




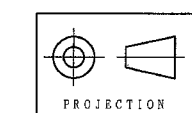
SYM	DATE	ZONE	DESCRIPTION	DESIGNED	CHECKED	APPROVED
A	MAY. 29, 2001		INITIAL ISSUED			
B ₂	JUL. 23, 2001		Changed Design and Housing color	T. Yoshimi	Y. Koguchi	Y. Saitoh
C ₂₈	OCT. 23, 2001		Added Dimensions and other	T. Yoshimi	Y. Saitoh	Y. Saitoh



QTY.	ITEM	PART NAME	MATERIAL	FINISH. OTHER
2	8	Solder Tab	Brass	Tin-Lead Over Nickel
2	7	Write Protect Contact	Copper Alloy	See P/N Code 5. (Page 3/4)
11	6	SSFDC Contact Long	Copper Alloy	See P/N Code 5. (Page 3/4)
11	5	SSFDC Contact Short	Copper Alloy	See P/N Code 5. (Page 3/4)
4	4	Switch Contact	Copper Alloy	See P/N Code 5. (Page 3/4)
1	3	MS Detect Switch	Copper Alloy	Tin-Lead Over Nickel
10	2	MS Contact	Copper Alloy	See P/N Code 5. (Page 3/4)
1	1	Housing	High Temp. Plastic	UL94V-0/Brown

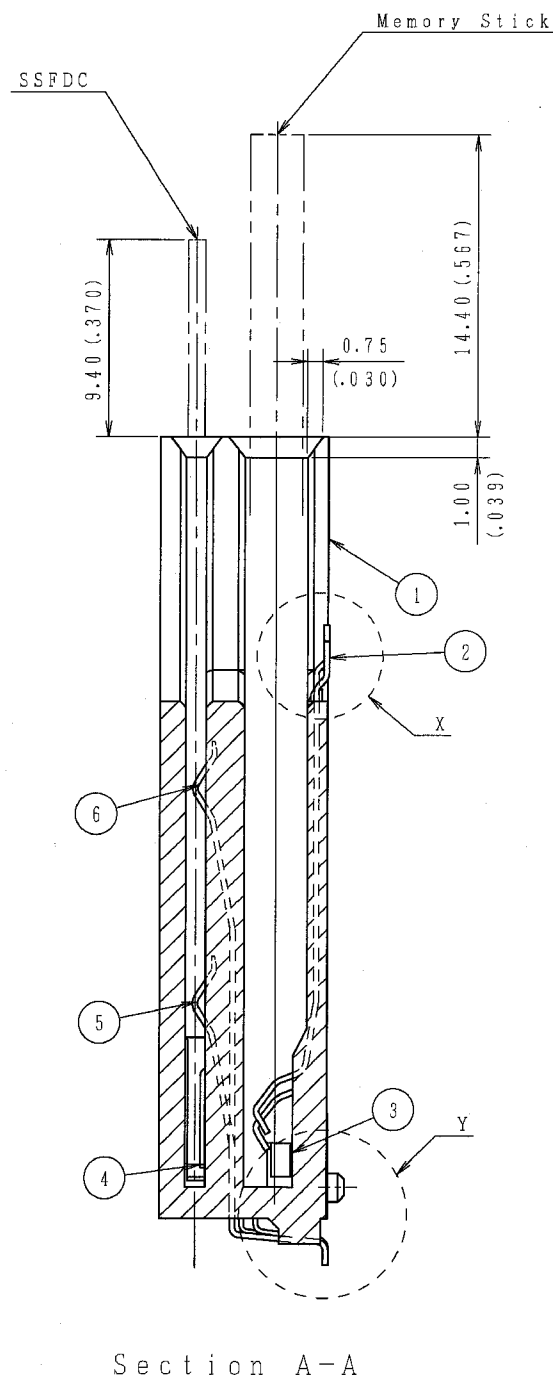
APPROVED	DESIGNED	GENERAL TOLERANCE	TITLE
A. Yamada	R. IWASHITA	±0.30 ±3°	2-IN-1 Memory connector (SSFDC and Memory-Stick)
MAY. 29, 2001	MAY. 29, 2001		MCH-CNS5A-B
CHECKED	DRAWN BY	SCALE	UNIT
Y. Koguchi	R. IWASHITA	1/1	mm (inch)
MAY. 29, 2001	MAY. 29, 2001		

DRAWING NUMBER	REV.
G-502094 (1/4)	C

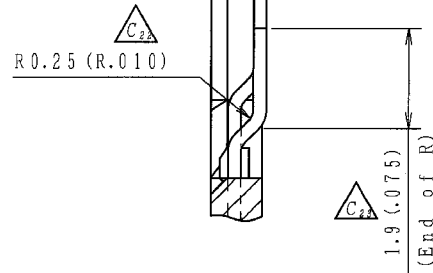
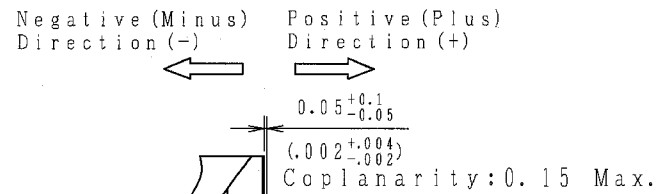




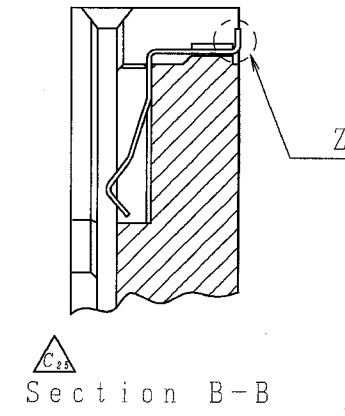
SYM	DATE	ZONE	DESCRIPTION	DESIGNED	CHECKED	APPROVED
C	Oct. 23, 2001					



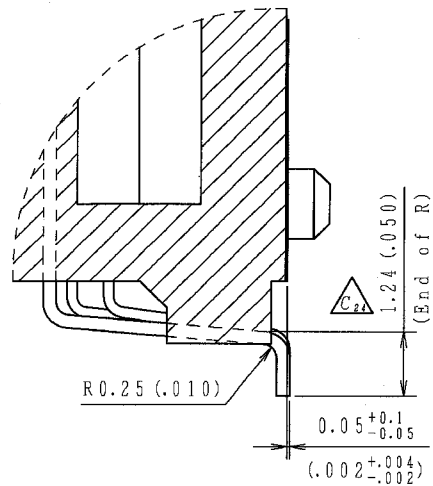
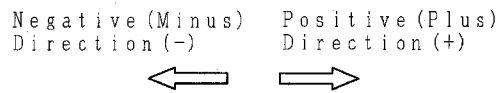
Section A-A



Detail X
(Scale: 10/1)

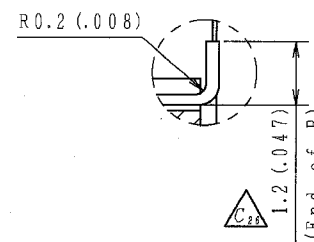


Section B-B

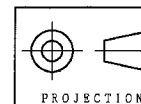


Coplanarity: 0.15 Max.

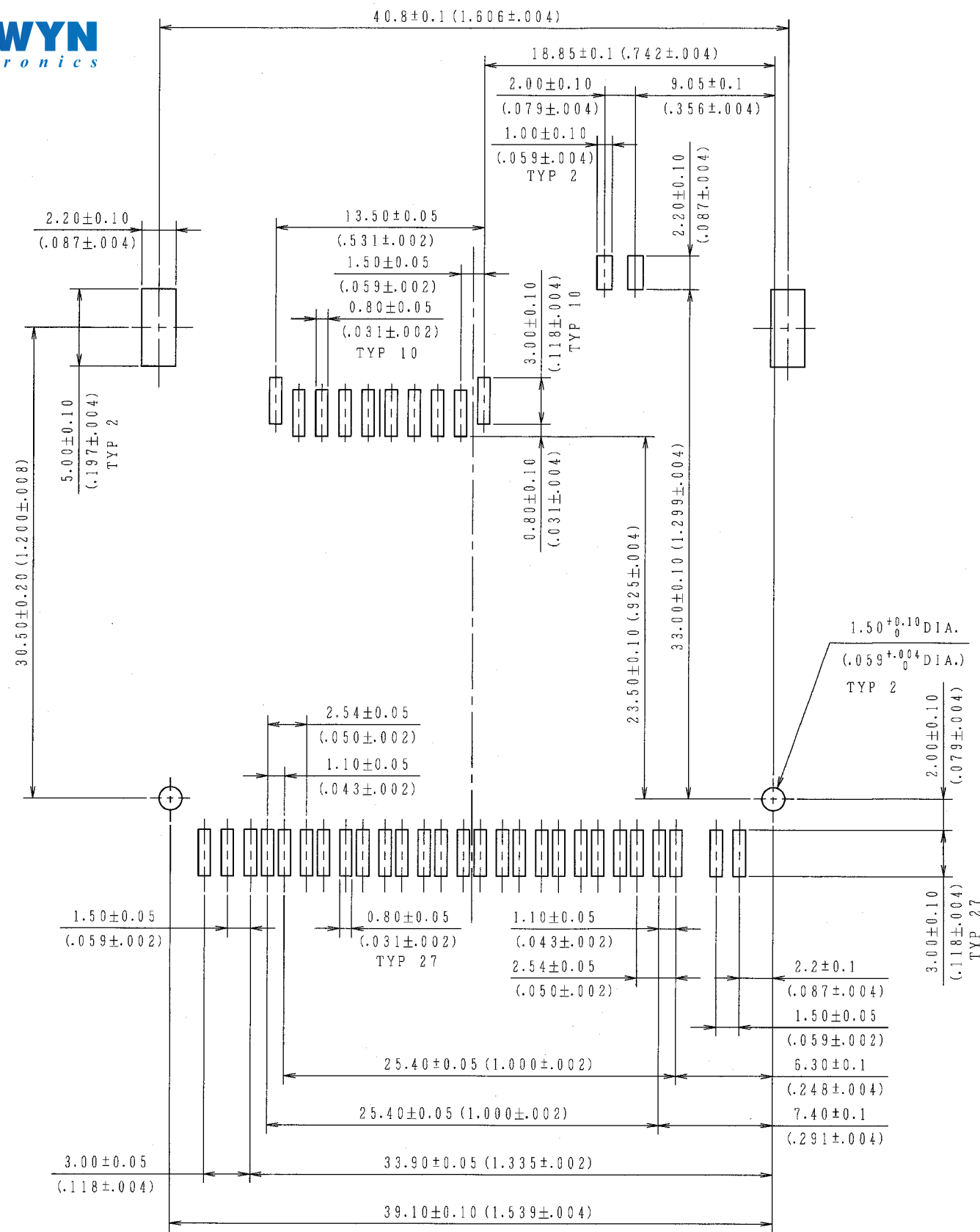
Detail Y
(Scale: 10/1)



Detail Z
(Scale: 10/1)



QTY.	ITEM	PART NAME	MATERIAL	FINISH, OTHER
	APPROVED	DESIGNED	GENERAL TOLERANCE	TITLE
	<i>[Signature]</i>	M. Takai	±0.30 ±3°	2-IN-1 Memory connector (SSFDC and Memory-Stick)
	CHECKED	DRAWN BY	SCALE	DRAWING NUMBER
	<i>[Signature]</i>	T. Yoshimi	4/1	G-502094 (2/4)
			UNIT	REV.
			mm (inch)	C



Recommended P.C.B. Layout
Connector Mount Side

SYN	DATE	ZONE	DESCRIPTION	CHANGE NOTICE NUMBER	DESIGNED	CHECKED	APPROVED DATE

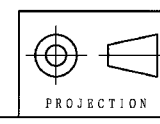
Part Numbering Code

MCH - CNS 5 A - B
 1 2 3 4 5 6 7

- Series Name
MCH : SSFDC+Memory-Stick (MS) COMBO Connector
- Voltage Type
C : Both 3.3V+5.0V (SSFDC) and 3.3V (MS)
- Eject Unit
N : Non Eject Unit
- Contact-Lead Design
S : S.M.T. Lead
- Plating
5 : 0.20µm (.008µinch) Gold Over Nickel (Mating Area)
Tin-Lead Over Nickel (Soldering Area)
- Locking Device For P.C.B.
A : With Solder Tab
- Connector Style
B : Connector Height 8.0mm (.315inch)
Housing Style as Shown.

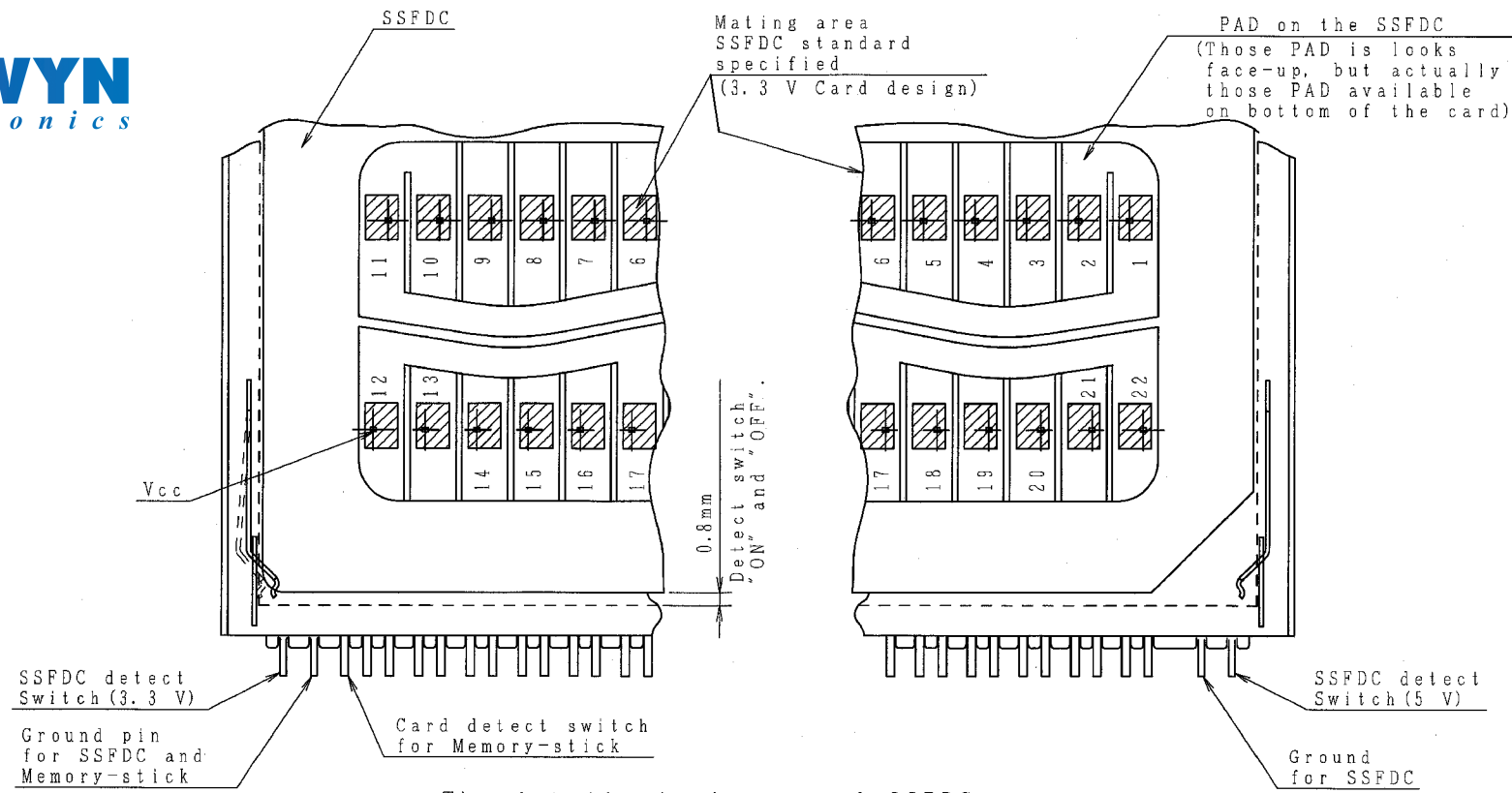
QTY.	ITEM	PART NAME	MATERIAL	FINISH, OTHER

APPROVED	DESIGNED	GENERAL TOLERANCE	TITLE
A. Yamada	R. IWASHITA	±0.30 ±3°	2-IN-1 Memory connector (SSFDC and Memory-Stick)
MAY. 29, 2001	MAY. 29, 2001		MCH-CNS5A-B
CHECKED	DRAWN BY	SCALE	UNIT
Y. Koguchi	R. IWASHITA	4/1	mm (inch)
MAY. 29, 2001	MAY. 29, 2001		



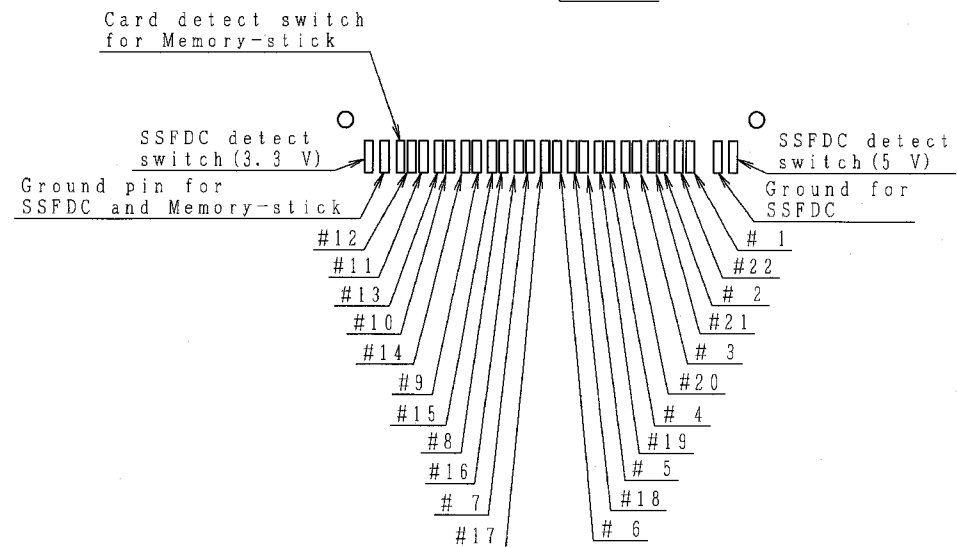
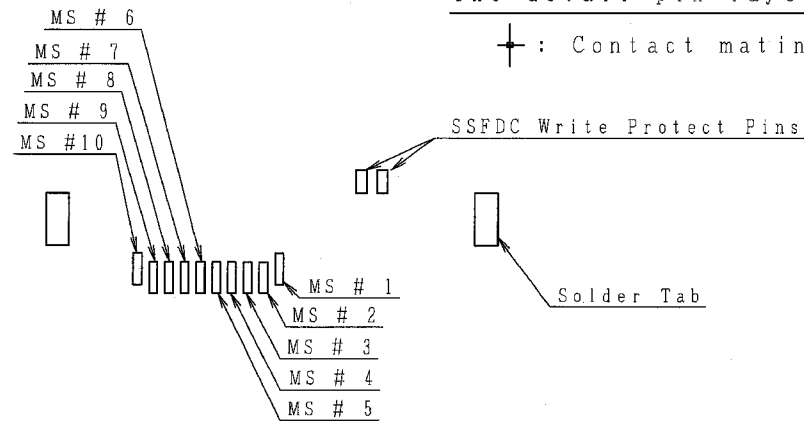


SYN	DATE	ZONE	DESCRIPTION	CHANGE NOTICE NUMBER	DESIGNED	CHECKED	APPROVED DATE



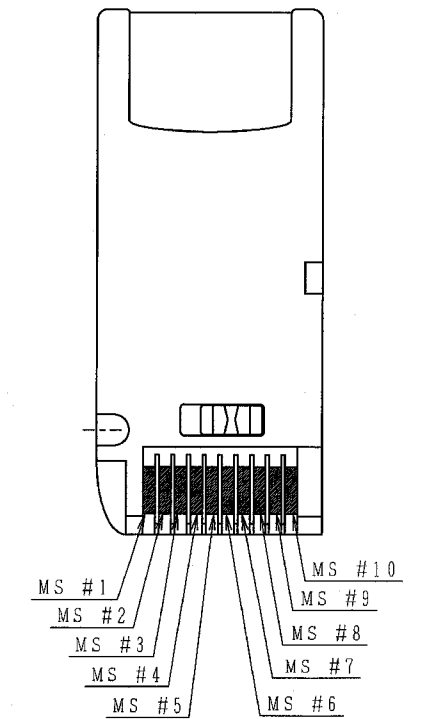
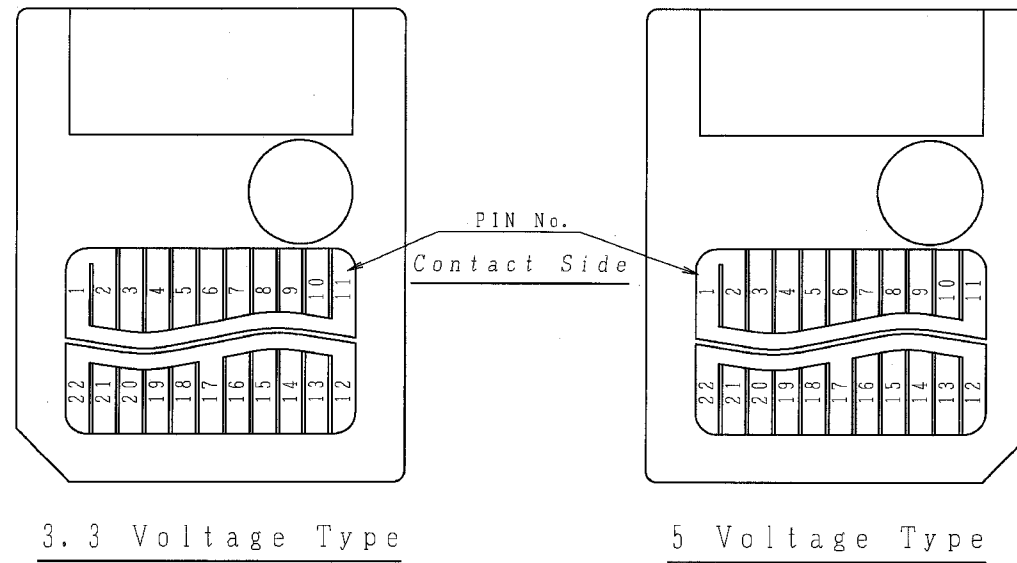
The detail pin layout of SSFDC area

† : Contact mating points



Pin Assignment

MS : Memory-Stick
Non designation : SSFDC



QTY.	ITEM	PART NAME	MATERIAL	FINISH, OTHER

APPROVED	DESIGNED	GENERAL TOLERANCE	TITLE
A. Yamada	R. IWASHITA	DIMENSIONS ANGLE	2-IN-1 Memory connector (SSFDC and Memory-Stick)
MAY. 29, 2001	MAY. 29, 2001	±0.30 ±3°	MCH-CNS5A-B
CHECKED	DRAWN BY	SCALE	UNIT
Y. Koguchi	R. IWASHITA	4/1	mm (inch)
MAY. 29, 2001	MAY. 29, 2001		

DRAWING NUMBER	REV.
G-502094 (4/4)	C

